



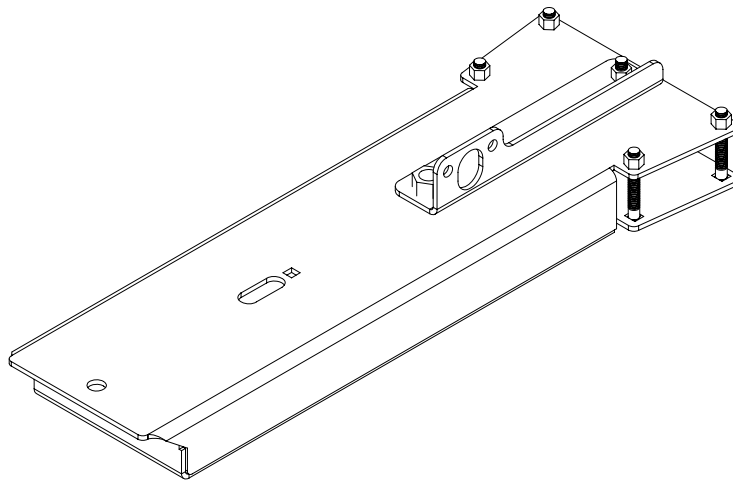
1701 38TH AVE W  
PO BOX 257  
SPENCER, IA 51301  
PHONE: 712-262-4191  
FAX: 712-262-0248  
SERVICE: 800-841-2222  
E-MAIL: ccac@cyclecountry.com  
www.cyclecountry.com

# **Work POWER 2000**

## **UNIVERSAL PUSHTUBE EXTENSION KIT**

### *Owner's Manual*

**MODEL NUMBER: 15-0020**

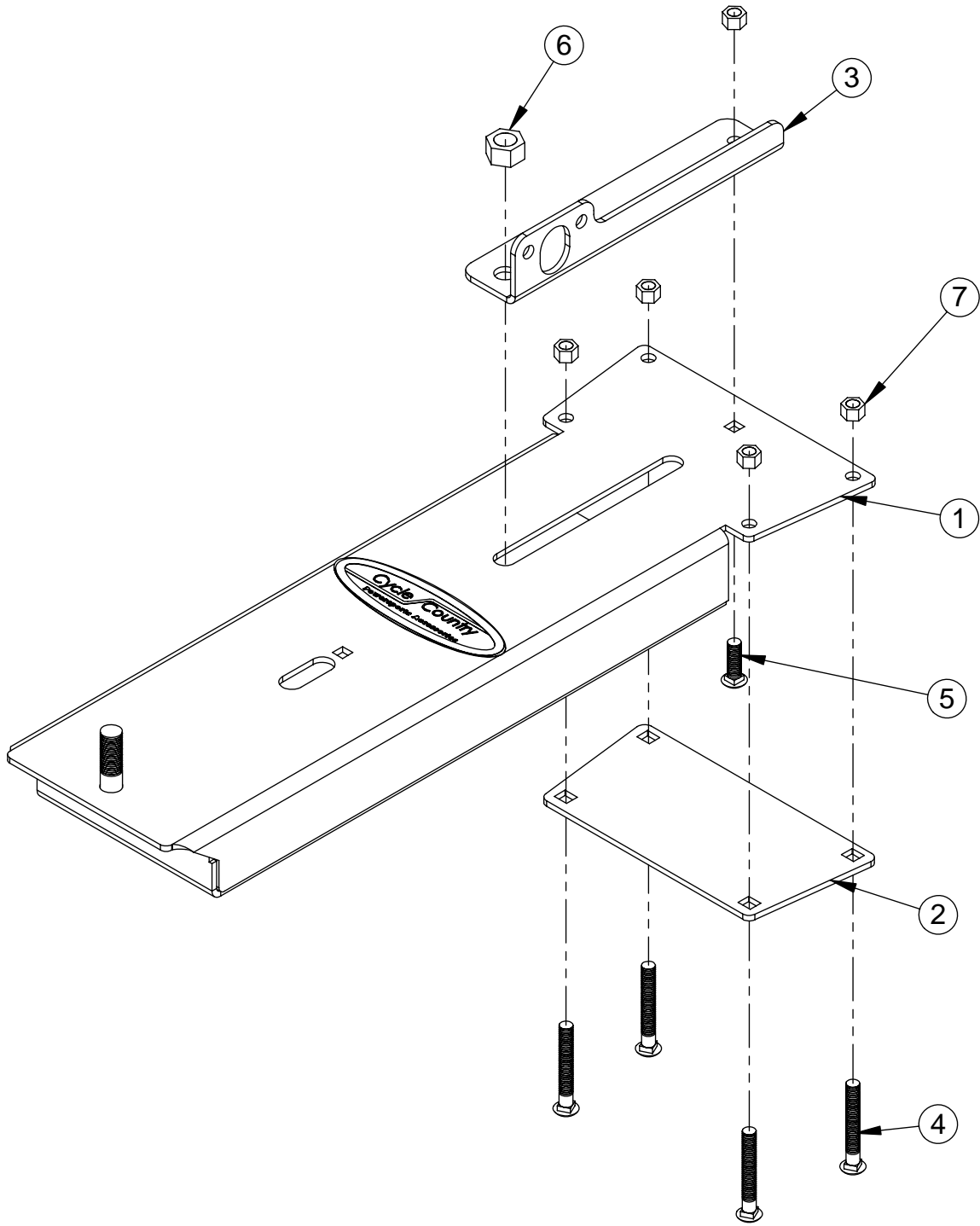


**CUSTOMER MUST RECEIVE A COPY OF THIS  
OWNER'S MANUAL AT TIME OF SALE**

© 2006 Cycle Country Accessories Corp.

Rev. 2  
1/22/10

MAN0169

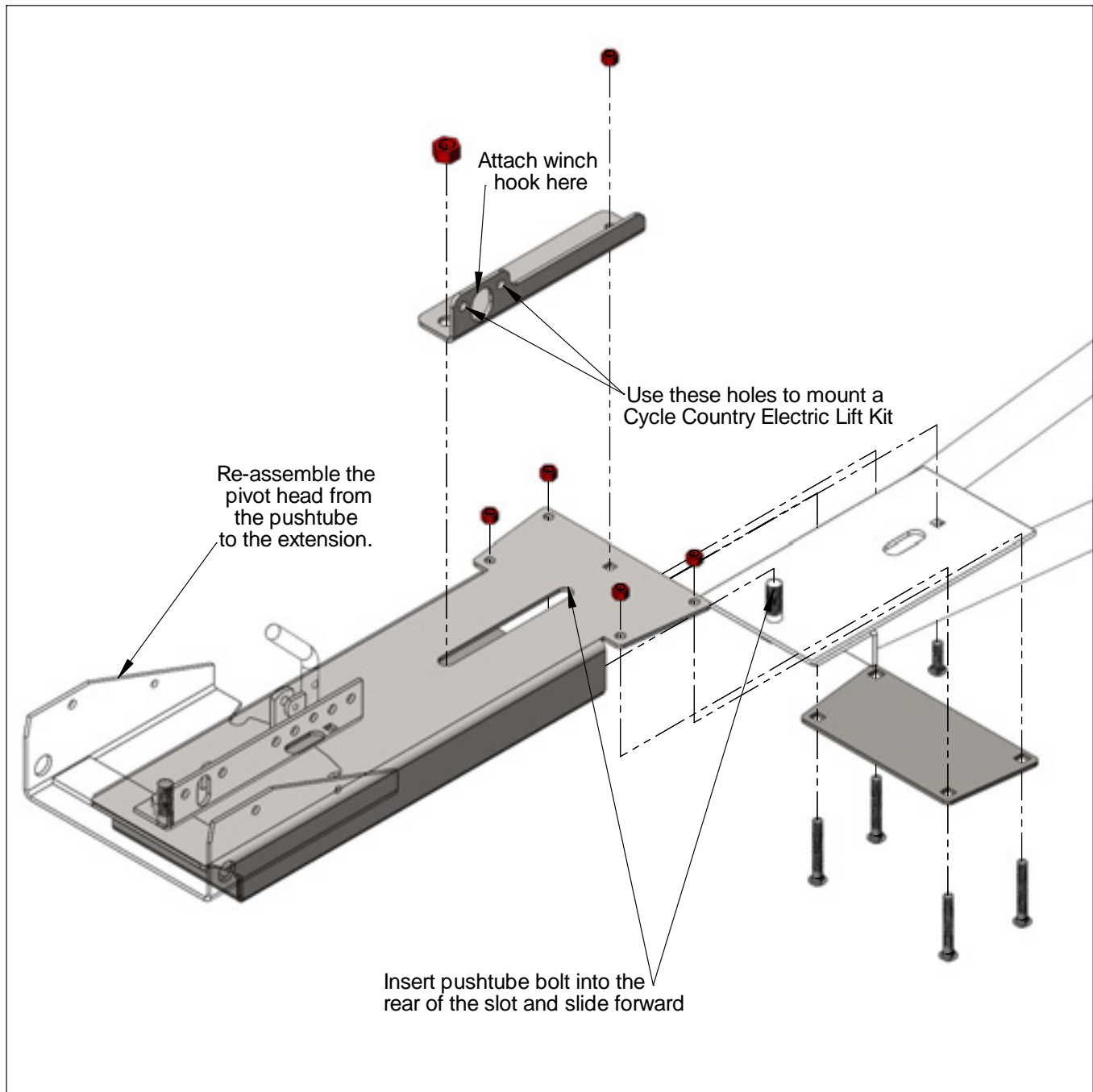


## Model Number 15-0020 Parts List

ITEM NO.	QTY.	PART NO.	DESCRIPTION
1	1	CYC1646	Track Extension Weldment
2	1	CYC1649	Back Plate
3	1	CYC1652	Lever Bracket
4	4	PUR0696	Carriage Bolt 3/8" x 2 3/4"
5	1	PUR1187	Carriage Bolt 3/8" x 1-1/4"
6	1	PUR1283	Locknut 5/8" Nylock
7	5	PUR1272	Locknut 3/8" Nylock

## INSTALLATION:

1. Remove the hinge plate assembly from your pushtube and reinstall it on the extension plate.
2. Attach the extension plate to your pushtube as shown below.





1701 38TH AVE W  
PO BOX 257  
SPENCER, IA 51301  
PHONE: 712-262-4191  
FAX: 712-262-0248  
SERVICE: 800-841-2222  
E-MAIL: [ccac@cyclecountry.com](mailto:ccac@cyclecountry.com)  
[www.cyclecountry.com](http://www.cyclecountry.com)

## **ONE YEAR LIMITED WARRANTY**

For the period of one year from the purchase date Cycle Country Accessories Corporation will replace for the original purchaser, free of charge, any part or parts, when found, upon examination by Cycle Country Accessories Corporation, to be defective in material, workmanship, or both.

All transportation cost incurred by the purchaser in submitting the material to Cycle Country Accessories Corporation for replacement under this warranty must be borne by the purchaser. If Cycle Country Accessories Corporation determines that the product must be returned to the factory for credit please call 1-800-841-2222 for an RMA number and shipping instructions.

The warranty does not apply to parts that have been damaged by accident, alteration, abuse, improper lubrication, normal wear, or other causes beyond Cycle Country Accessories Corporation's control. Products such as engines, electric motors, and actuators may carry an original manufacturer's warranty. Please call Cycle Country Accessories Corporation for information.