

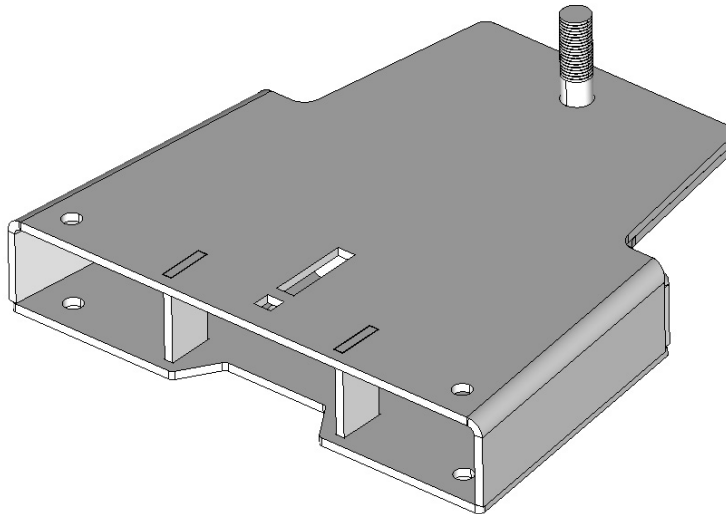


DRIVE IN X-CHANGE™

QUICK ATTACH BLADE Patent Pending - Cycle Country 5 Position

ASSEMBLY / OWNER'S MANUAL

Part No: 15-0120



OPERATING INSTRUCTIONS

Congratulations! You've just purchased the most durable accessory component in the industry. Cycle Country accessories work great summer or winter. With proper care and maintenance, your Cycle Country accessory will last for years to come!

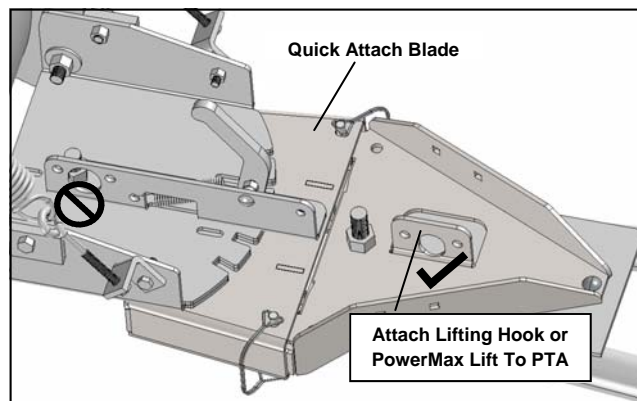
NOTICE
<p>The Drive In X-Change™ system requires a Quick Attach Blade and one or more of these components to fully function:</p> <ul style="list-style-type: none">• Push Tube Adapter• Drive In X-Change™ Accessories

NOTICE
<p>The Drive In X-Change™ Quick Attach Blade is <u>not</u> compatible with these products:</p> <ul style="list-style-type: none">• ARM Plow 10-0300• ARM Plow 10-0350• Snow Force 18-0030

Please read and understand all assembly instructions, notices and warnings before assembling and operating your accessory.


Follow these guidelines to ensure satisfactory operation:

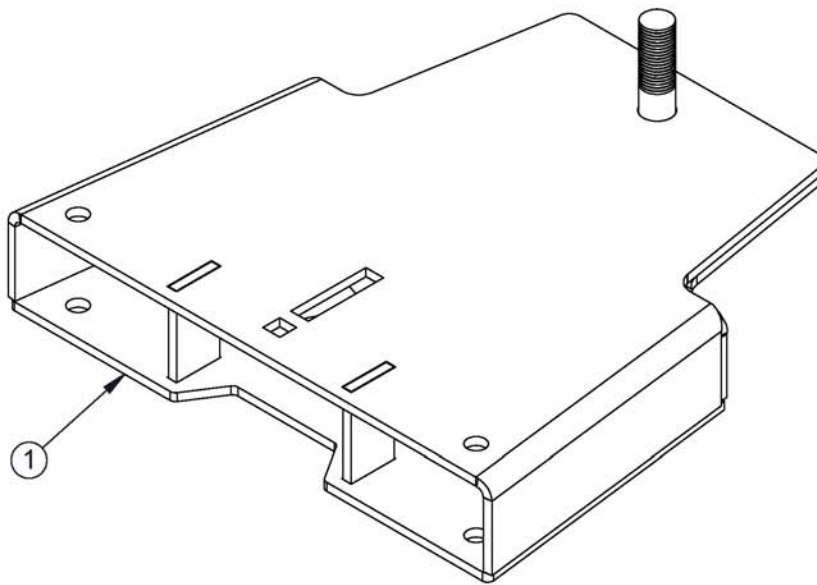
- Periodically check for wear and tightness of all fasteners. Replace or re-torque fasteners as necessary.
- For best results, use with a winch system or a PowerMax Electric Lift. Attach lifting mechanism to the Push Tube Adapter only.
- Read this manual and your ATV operators manual before use.



SAFETY INFORMATION

Cycle Country accessories were designed with your safety in mind. In order to protect you and your vehicle, certain parts of the accessory and/or hardware may be designed to fail when the equipment is over-stressed.

 WARNING
<p>To avoid personal injury or damage to your vehicle:</p> <p>Read and understand all cautions, warnings, notices, and instructions</p> <p>Do not carry unsecured loads at any time</p> <p>Do not exceed the load capacity of the winch or lift. Refer to the owner's manual.</p> <p>Keep yourself, other people and pets away from moving parts during operation</p> <p>Exercise caution during operation</p>



Model Number 15-0120
Parts List

ITEM NO.	QTY.	PART NO.	DESCRIPTION
1	1	CYC6019	DIXC QAB Weldment CC

PARTS INFORMATION:
Replacement fasteners are common-type and can be purchased locally. Use minimum Grade 5 zinc-coated fasteners.

BEFORE YOU BEGIN:

- Please read and understand all instructions.
- Verify all parts and tools are accounted for.
- To ensure a satisfactory installation, follow all steps correctly and in the sequence described.
- All directions referring to right and left are when the rider is sitting on the machine

TOOLS REQUIRED:

- Basic Hand Wrench and Socket Set
- Torque Wrench

INSTALLATION OF QUICK ATTACH BLADE:

1. If not disassembled, remove the hinge plate assembly from the push tube. Retain the fasteners and spacer from the hinge plate. See Illustration 1.

NOTICE

Retain fasteners for use on the Quick Attach Blade

2. Place the QAB Weldment, Item #1, onto the hinge plate assembly. Insert spacer and fasten QAB with lock nut, carriage bolt, and pivot nut. See Illustration 2.

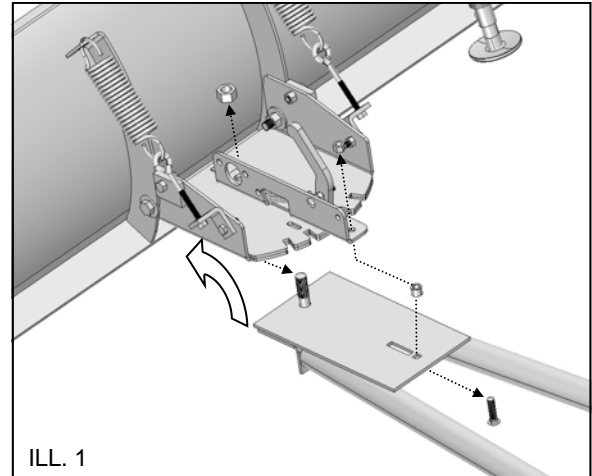
3. Torque rear bracket fastener to specification and adjust pivot nut to desired hinge plate freeplay.



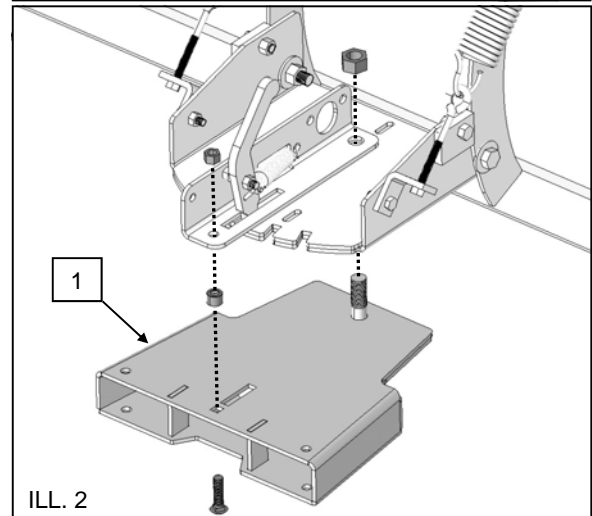
FASTENER TORQUE:

Rear Bracket Bolt - 17ft. lbs. (23 Nm)

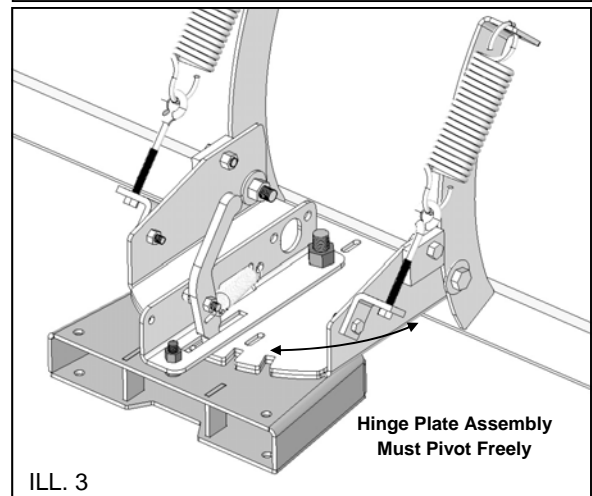
Pivot Nut - Tighten nut, then back off 1/8 - 1/4 turn to allow hinge plate to pivot freely



ILL. 1



ILL. 2



ILL. 3

QUICK ATTACH BLADE ENGAGEMENT:

1. Drive machine forward while directing the PTA forks into the attachment. **NOTE:** It may be necessary to lift the push tube slightly during engagement.

2. Lift the attachment off the ground and verify the lock pin holes are aligned.

NOTICE

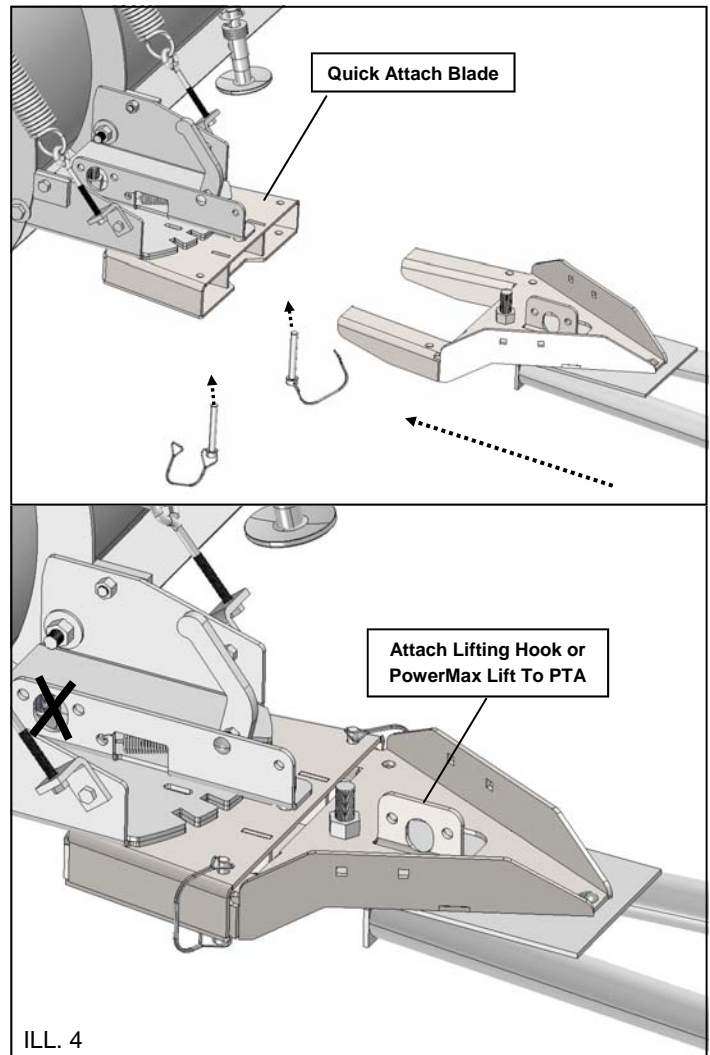
Stop engine and lock parking brake
before dismounting the ATV to install lock pins

3. Insert lock pins. See Illustration 4.

NOTE: Recommended lock pin installation is from the bottom side for easier removal and reduces the chance of catching on obstacles.

4. Attach winch hook or PowerMax Electric Lift to the PTA. See Illustration 4.

5. To disengage from the attachment, raise the push tube and remove the lock pins. Lower the push tube to the ground and back the machine away, pulling the PTA forks out of the attachment.





One Year Limited Warranty

For the period of one (1) year from the purchase date, Cycle Country Accessories Corporation will replace for the original purchaser, free of charge, any part or parts found upon examination by Cycle Country Accessories Corporation to be defective in material, workmanship, or both.

All transportation costs incurred submitting product to Cycle Country for warranty consideration must be borne by the purchaser. If Cycle Country determines that the product must be returned to the factory for credit, please call 1-800-841-2222 for a Return Merchandise Authorization (RMA) number and shipping instructions.

This warranty does not apply to parts that have been damaged by accident, alteration, abuse, improper maintenance, normal wear, or other causes beyond the manufacturer's control. In order to protect you and your ATV, certain parts of the plow system and/or hardware are designed to fail when the equipment is over-stressed.

Peripheral products such as engines, electric motors, and actuators may carry an original manufacturer's warranty. Please call Cycle Country Accessories Corporation for more information.

CYCLE COUNTRY ACCESSORIES CORPORATION

1701 38TH AVE W

SPENCER, IA 51301

SERVICE: 800-841-2222 FAX: 712-262-0248

E-MAIL: ccac@cyclecountry.com

WEB: www.cyclecountry.com