

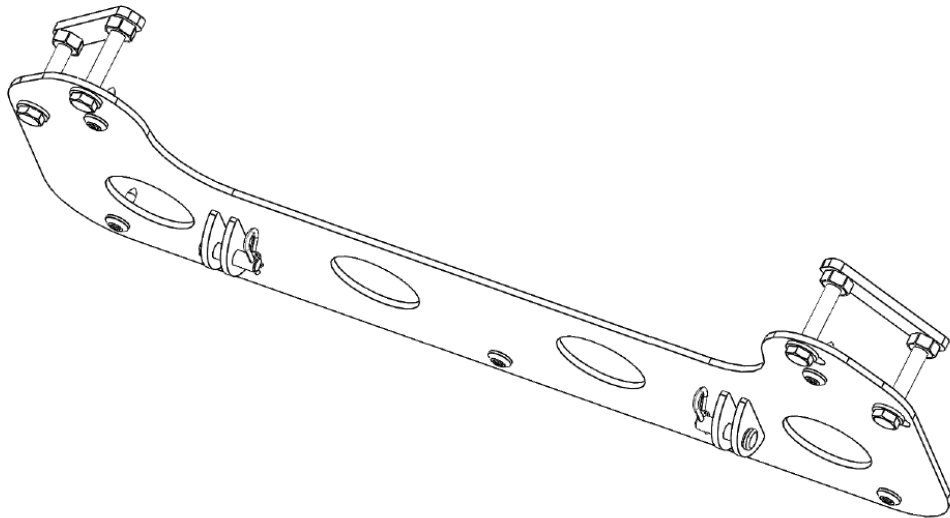


MID-MOUNT KIT

For Polaris ACE

ASSEMBLY / OWNER'S MANUAL

Part No: 15-3680



OPERATING INSTRUCTIONS

Congratulations! You've just purchased the most durable plow component in the industry. Cycle Country plow components work great for summer or winter plowing. With proper care and maintenance, your Cycle Country plow system will last for years to come!

NOTICE
<p>This Plow systems require additional components for operation*</p> <p>Cycle Country Plow Blade</p> <p>Cycle Country 15-0070 Push Tube Kit</p> <p>Cycle Country Lift System (Winch Kit, Electric Lift)</p> <p><small>* 15-xxxx series Front Mount Kits are vehicle-specific. To find your specific application, use the 'Search by Vehicle' function at www.cyclecountry.com</small></p>

Please read and understand all assembly instructions, notices and warnings before assembling and operating your Cycle Country plow system.


Follow these guidelines to ensure satisfactory operation:

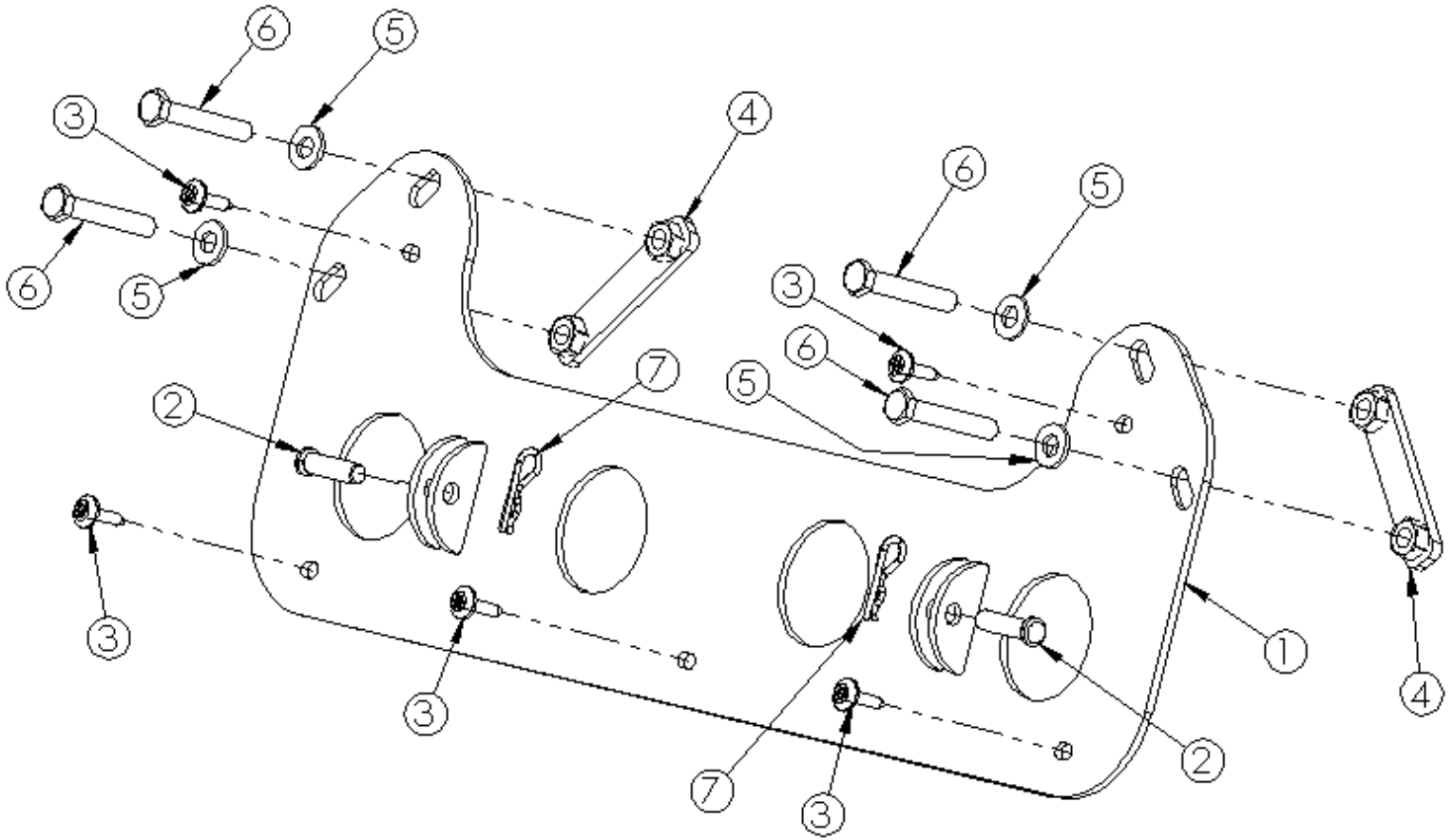
- Periodically check for wear and tightness of all fasteners. Replace or re-torque fasteners as necessary.
- Read this manual and your ATV operators manual before use.
- Before first use, set plow in the furthest right or left angled position to check for interference with the vehicle.
- Operate with extreme caution on slopes and rough terrain. Be familiar with the area before you plow.
- Be aware of immovable objects that could be hidden in the dirt, gravel or snow you are plowing.
- To avoid damage when plowing dirt, gravel or snow into a pile, reverse direction before raising the plow blade.
- Do not ram the plow into piles of dirt, gravel or snow, as damage to the plow system or vehicle may result.

A complete operator's guide can be downloaded for free at www.cyclecountry.com. This guide contains beginner-to-advanced information regarding plow systems and operation.

SAFETY INFORMATION

Cycle Country plow systems were designed with your safety in mind. In order to protect you and your vehicle, certain parts of the plow system and/or hardware are designed to fail when the equipment is over-stressed.

 WARNING
<p>To avoid personal injury or damage to your vehicle:</p> <p>Do not exceed 5 mph (8 kph) with the blade installed</p> <p>Be aware that vehicle ground clearance is reduced with plow system installed</p> <p>Keep yourself, other people and pets away from the blade and moving parts during operation</p> <p>Before adjusting blade angle or disconnecting the plow system, stop the engine and set the parking brake</p> <p>Remove your plow system before trail riding</p> <p>Do not ram the plow system into piles of dirt, gravel or snow</p>



Model Number 15-3680 Parts List

ITEM NO.	QTY.	PART NUMBER	DESCRIPTION
1	1	15-3680_CP01	MOUNT-MID, POLARIS, ACE
2	2	PUR1209	CLEVIS PIN - 10MM X 35MM
3	5	7519650	SCR-TXTH-M6X1.0X25 RIE
4	2	15-3680_CP03	BRACKET - MOUNT, ACE
5	4	PUR3088	FLAT WASHER M10
6	4	PUR3030	HEX BOLT M10 X 60MM
7	2	PUR1249	#3 HAIR PIN

Hardware Package CYC5800

PARTS ORDERING INFORMATION:
 Replacement fasteners are common-type
 and can be purchased locally. Use minimum Grade 5 or class 8.8 zinc-coated fasteners.

BEFORE YOU BEGIN:

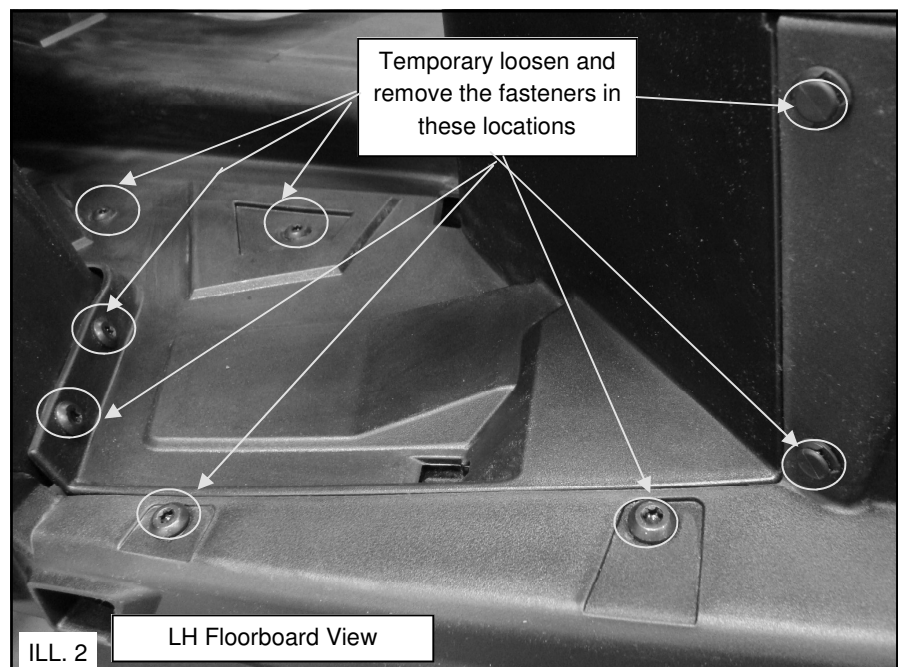
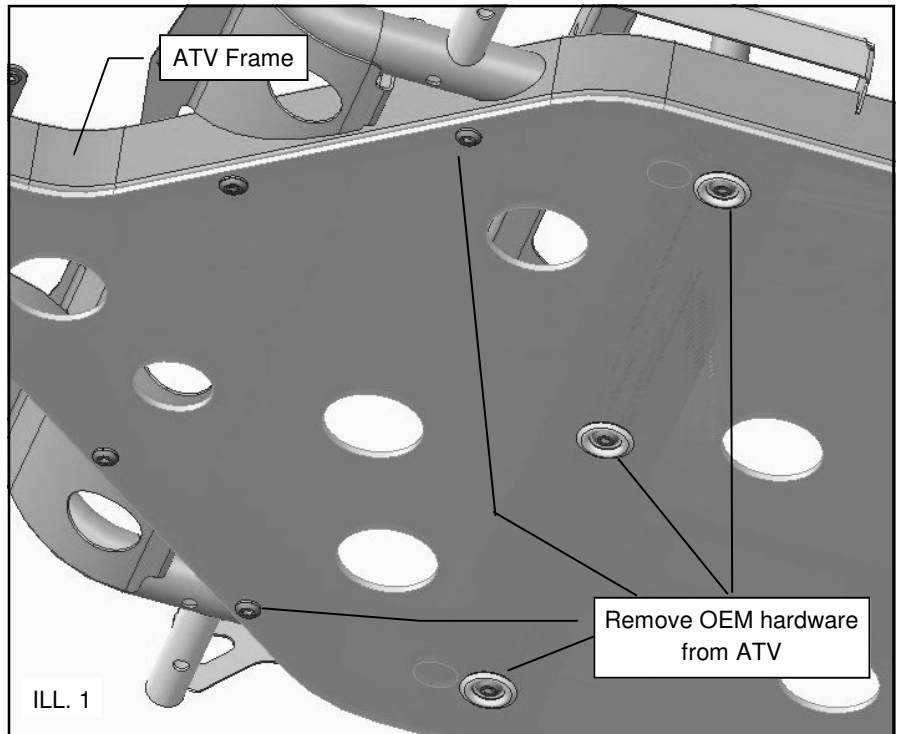
- Please read and understand all instructions.
- Verify all parts and tools are accounted for.
- OEM hardware used to fasten plastic skid plate onto ATV will need to be removed.
- All directions referring to right and left are when the rider is sitting on the machine .

TOOLS REQUIRED:

- Basic Metric Hand Wrench and Metric Socket Set
- Torque Wrench
- T40 torx bit or T40 torx wrench
- Pliers or standard (flat blade) screwdriver
- **Do Not** use impact tools to install hardware!

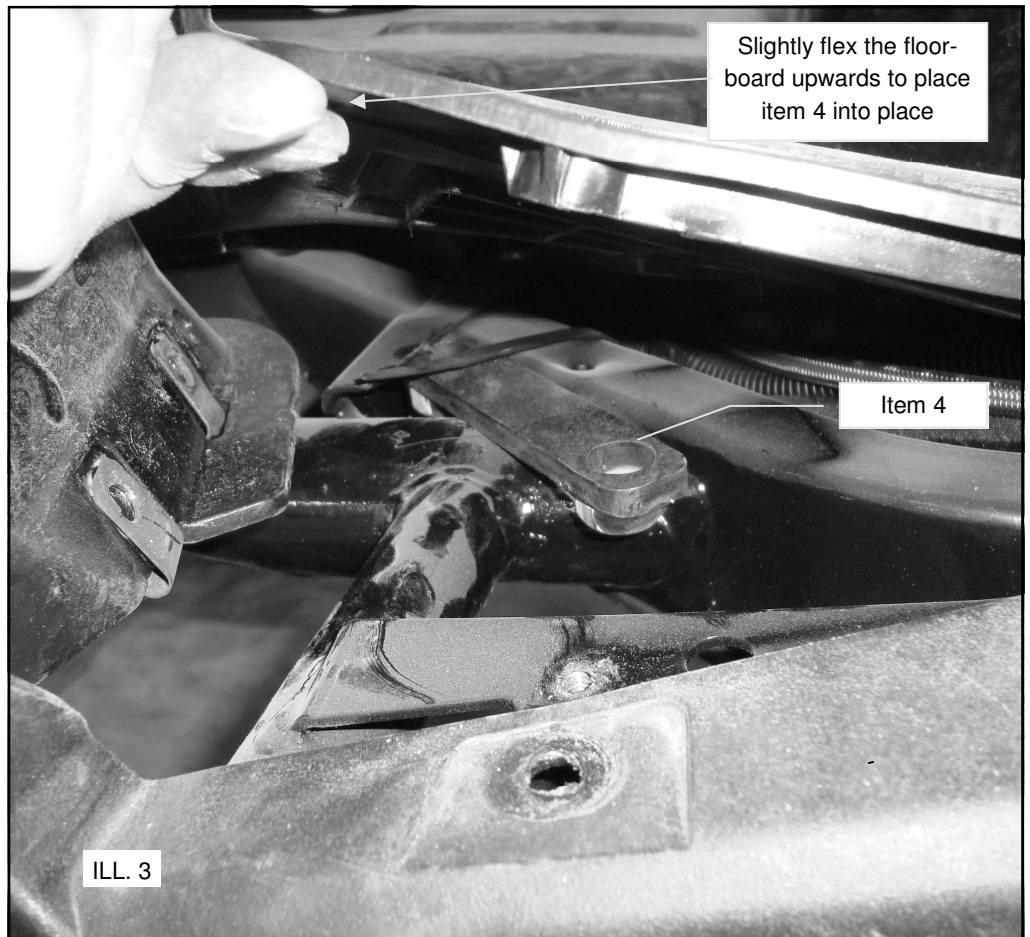
Vehicle Preparation:

- Remove the OEM hardware (5 screws and 3 collars) from the ATV used to secure plastic skid plate (See Illustration 1). This hardware will not be used to install mid-mount to ATV.
- Temporary loosen and remove the six screws and two plastic rivets used to secure the LH floorboard structures (See Illustration 2). This step is needed to install the weldnut strap bracket around the frame.
- The RH floorboards will not need to be loosened to install the weldnut strap bracket into place.




Step 1 - Strap Bracket Installation:


- Slightly flex the LH plastic floorboard upwards to place the weldnut strap bracket, item 4, into place on the vehicle frame (See Illustration 3).
- The other weldnut strap bracket, item 4, can be placed on the RH frame side, similar to the LH side. Note, the RH floorboards will not need to be loosened. Access from under the vehicle.

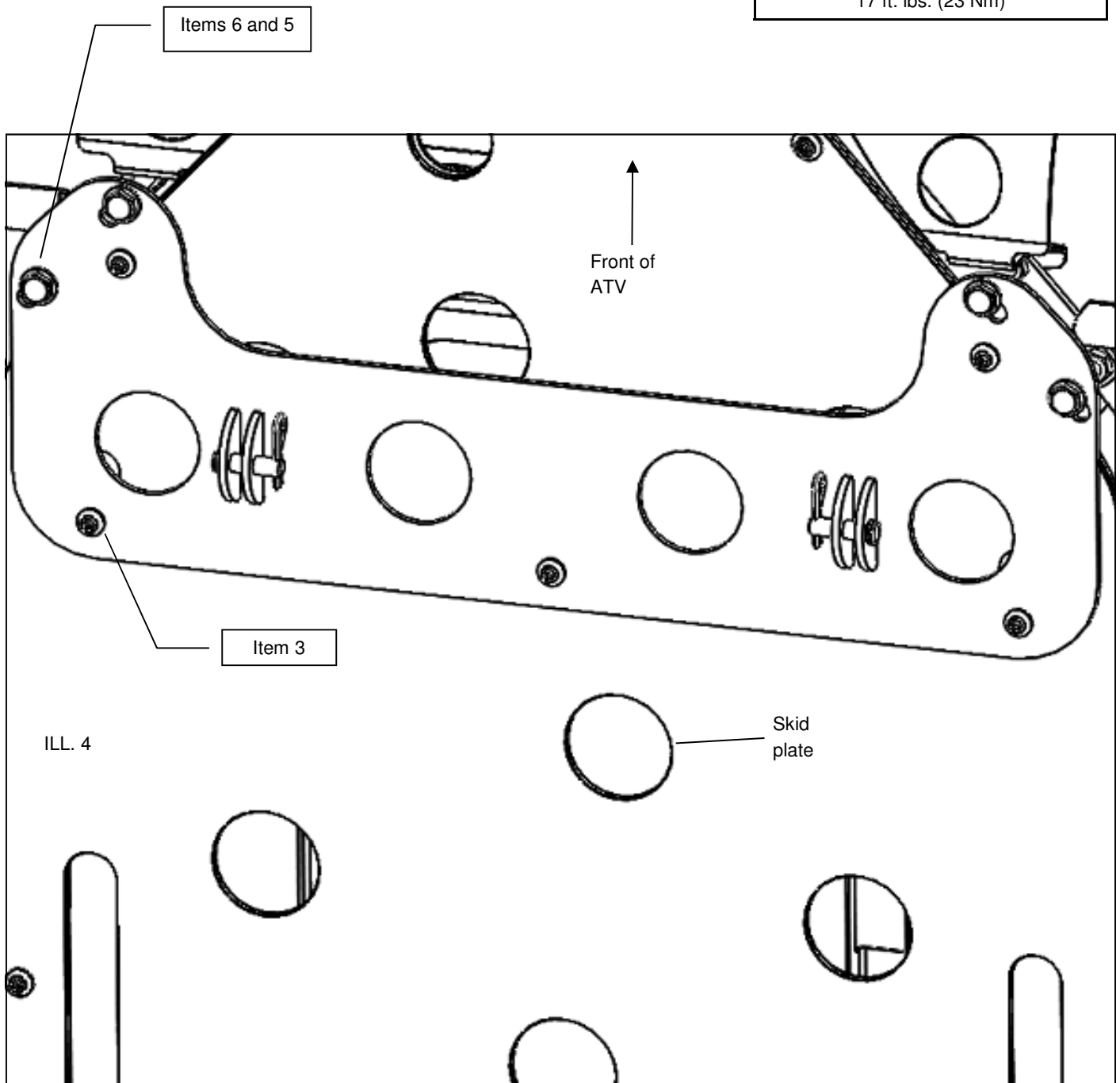


Step 2 - Mount Installation:

- Position the mid-mount plate, item 1, into place underside the vehicle frame and skid plate (See Illustration 4).
- Install the torx head screws, item 3 as shown thru the mid-mount plate into the vehicle frame (See Illustration 4).
- Install the bolt and washers, items 6 and 5, as shown thru the mid-mount plate into the weldnut strap brackets (See Illustration 4).
- Tighten all fasteners to torque specifications.
- Re-install the fasteners into place to secure the LH floorboards.

 = T
6MM FASTENER TORQUE: 8 ft. lbs. (11 Nm)

 = T
10MM FASTENER TORQUE: 17 ft. lbs. (23 Nm)





One Year Limited Warranty

For the period of one (1) year from the purchase date, Cycle Country (a Kolpin Powersports Brand) will replace for the original purchaser, free of charge, any part or parts found upon examination by Cycle Country to be defective in material, workmanship, or both.

All transportation costs incurred submitting product to Cycle Country for warranty consideration must be borne by the purchaser. If Cycle Country determines that the product must be returned to the factory for credit, please call 1-800-841-2222 for a Return Merchandise Authorization (RMA) number and shipping instructions.

This warranty does not apply to parts that have been damaged by accident, alteration, abuse, improper maintenance, normal wear, or other causes beyond the manufacturer's control. In order to protect you and your ATV, certain parts of the plow system and/or hardware are designed to fail when the equipment is over-stressed.

Peripheral products such as engines, electric motors, and actuators may carry an original manufacturer's warranty. Please call Cycle Country for more information.

Cycle Country

A Kolpin Powersports Brand

Service: 1-800-841-2222

Fax: 1-800-245-7569

Email: ccac@cyclecountry.com

Web: www.cyclecountry.com