



KOLPIN ATV SWITCHBLADE PLOW

P/N 17-0000

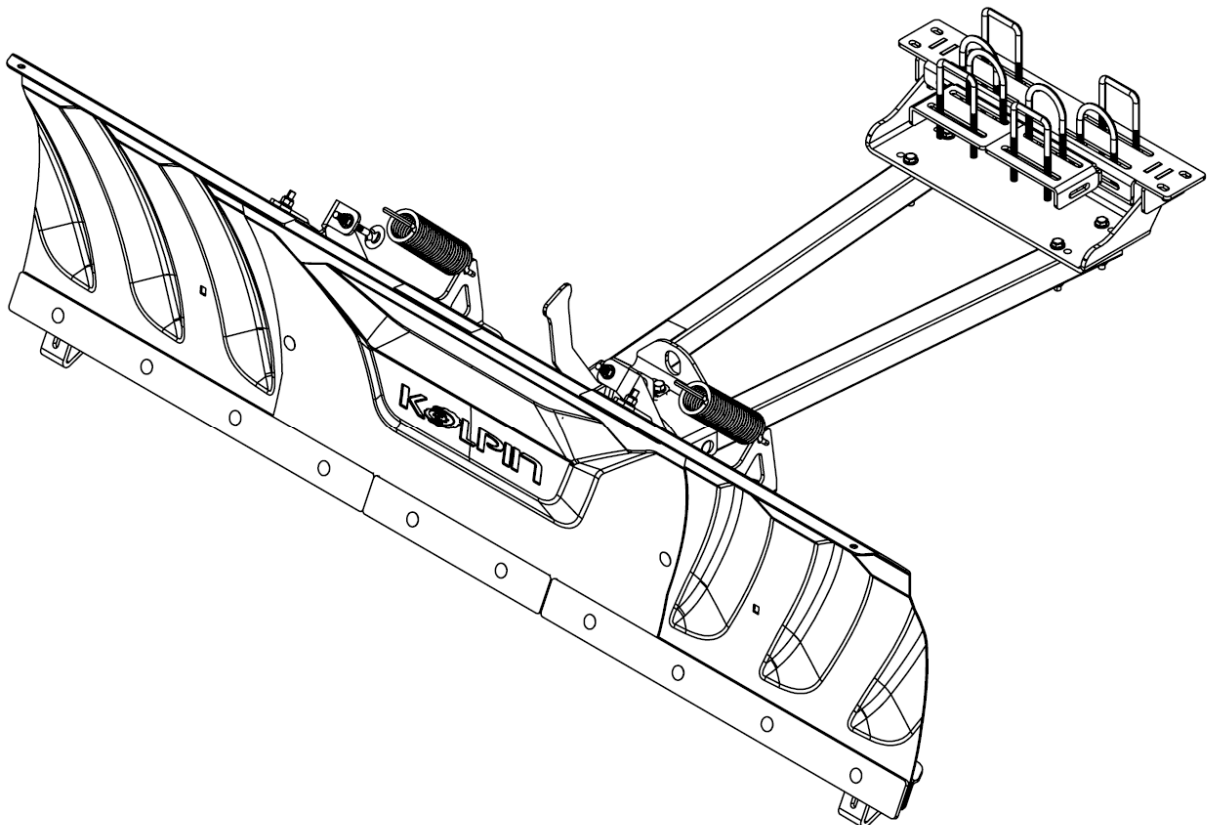
OWNER'S MANUAL

Application

ATV VEHICLES

**ATTENTION DEALER: CUSTOMER MUST RECEIVE A COPY OF THIS MANUAL
AT THE TIME OF SALE.**

Before you begin, please read these instructions and check to be sure all parts and tools are accounted for. These instructions will help you to become familiar with operation of the plow system. Instructions contain details required to install, service the contents of this kit, for adjustment and maintenance.



INTRODUCTION

Congratulations! You've just purchased one of the industry's top plow system component. The Kolpin ATV Switchblade Plow System works great for all types of plowing. With proper care and maintenance, your plow system will last for many years!

The Switchblade plow system is easily assembled and attaches to your ATV using an universal underbody mid-mount system. The blade pivot design allows the operator to select multiple angled left-or-right positions, and also incorporates a spring-loaded 'trip' system that allows the blade to handle impacts with small obstructions. The 60"-48" adjustable blade assembly allows for quality snow moving capacity and snow roll-over characteristics. Additionally, this plow frame will handle light to medium-duty summer landscape work.

NOTICE
The ATV Switchblade complete plow system includes these components:
<ul style="list-style-type: none">• 60"-48" Switchblade adjustable plow and blade hinge pivot assembly• Square Tube Push Frame Assembly• Universal Underbody Mid-Mount System
Plow operation requires additional components for operation: <i>Winch Kit, and ATV Winch Mount *</i>

Please read and understand all adjustment/maintenance instructions, notices and warnings before assembling and operating your plow system.

Follow these guidelines to ensure satisfactory operation:

- Read this manual and your ATV operators manual before use.
- Periodically check for wear and tightness of all fasteners. Replace or re-torque fasteners as necessary.
- Before first use, set plow in the furthest right or left angled position to check for clearance between the plow and front tires.
- Operate with extreme caution on slopes and rough terrain. Be familiar with the area before you plow.
- Be aware of immovable objects that could be hidden in the area you are plowing.
- To avoid damage when pushing snow into a pile, reverse direction before raising the plow blade.
- Do not ram the plow blade into piles of snow. ****Slow down before hitting a pile.****
- For best results, set the suspension preload of your ATV to the stiffest setting.
- To reduce steering effort and increase mobility, set the air pressure of your tires to the maximum pressure specification.
- The plow skids are adjustable. General skid setting is even with the plow wear bar bottom edge, higher settings reduce the chance of rocks and gravel from being collected.
- To increase traction during plow operation, operators can try: Securing weight to the ATV for additional tire downforce, reducing tire air pressure, or installing tire chains.
- The plow blade assembly is designed to 'trip' when it strikes an object or digs in too far. When pressure is released, the plow springs back into position. *Spring tension can be increased by tightening the locknuts on the bottom of the eyebolts. For less spring tension, loosen the locknuts.*
- Always wear appropriate protective clothing as recommended in ATV's operator's manual.
- Keep away from blade and moving parts during operation.
- Keep these instructions for future reference.
- All directions referring to right and left are when the rider is sitting on the machine.
- Your Kolpin accessory is exclusively designed for your vehicle.

SAFETY INFORMATION

Our plow systems were designed with your safety in mind. Please read and understand all Cautions, Notices and Warnings in this manual before you begin. In order to protect you and your ATV, certain parts of the plow system and/or hardware are designed to fail when the equipment is over-stressed.



DANGER



TO AVOID SERIOUS INJURY OR DEATH:

1. DO NOT EXCEED 5 MPH (8 KM/H) WITH THE BLADE INSTALLED.
2. OPERATE WITH EXTREME CAUTION ON SLOPES, STEEP GRADES, AND ROUGH TERRAIN.
3. ALLOW NO RIDERS ON BLADE OR ATV WHILE MOVING OR STATIONARY.
4. KEEP BYSTANDERS AWAY FROM THE BLADE OR ATV WHILE MOVING OR STATIONARY.
5. WHEN PUSHING HEAVY MATERIAL, DIRECTION CONTROL MAY BECOME DIFFICULT.
6. BEFORE ADJUSTING BLADE: STOP ATV ENGINE; SET AND LOCK BRAKES; RAISE AND LOCK BLADE IN UP POSITION. DO NOT ATTEMPT TO RAISE BLADE BY HAND; USE THE LIFT MECHANISM ONLY.
7. LOWER BLADE TO DOWN POSITION WHEN BLADE AND ATV ARE NOT IN USE.
8. READ PUSH FRAME'S INSTRUCTION SHEETS AND ATV OWNER MANUAL.

BEFORE YOU BEGIN:

- Your Kolpin accessory is exclusively designed for your vehicle.
- Please read and understand all instructions.
- Verify all parts and tools are accounted for.
- To ensure a satisfactory installation, follow all steps correctly and in the sequence described.
- Keep these instructions for future reference or for informational requests.
- To facilitate installation, make sure that your vehicle is clean and free of debris.
- All directions referring to right and left are when the rider is sitting on the machine

TOOLS REQUIRED:

- 13mm wrench and 13mm socket
- 17mm wrench or 17mm socket
- 18mm wrench or 18mm socket
- 8mm Hex Key Allen Wrench
- Long nose pliers or spring puller or shoe-string sized rope
- Torque Wrench

APPROXIMATE ASSEMBLY TIME: 45 minutes

Note: The Kolpin ATV Switchblade kit requires assembly.

RE-TORQUE ALL BOLTS AND NUTS AFTER THE FIRST 30 MINUTES OF USE.

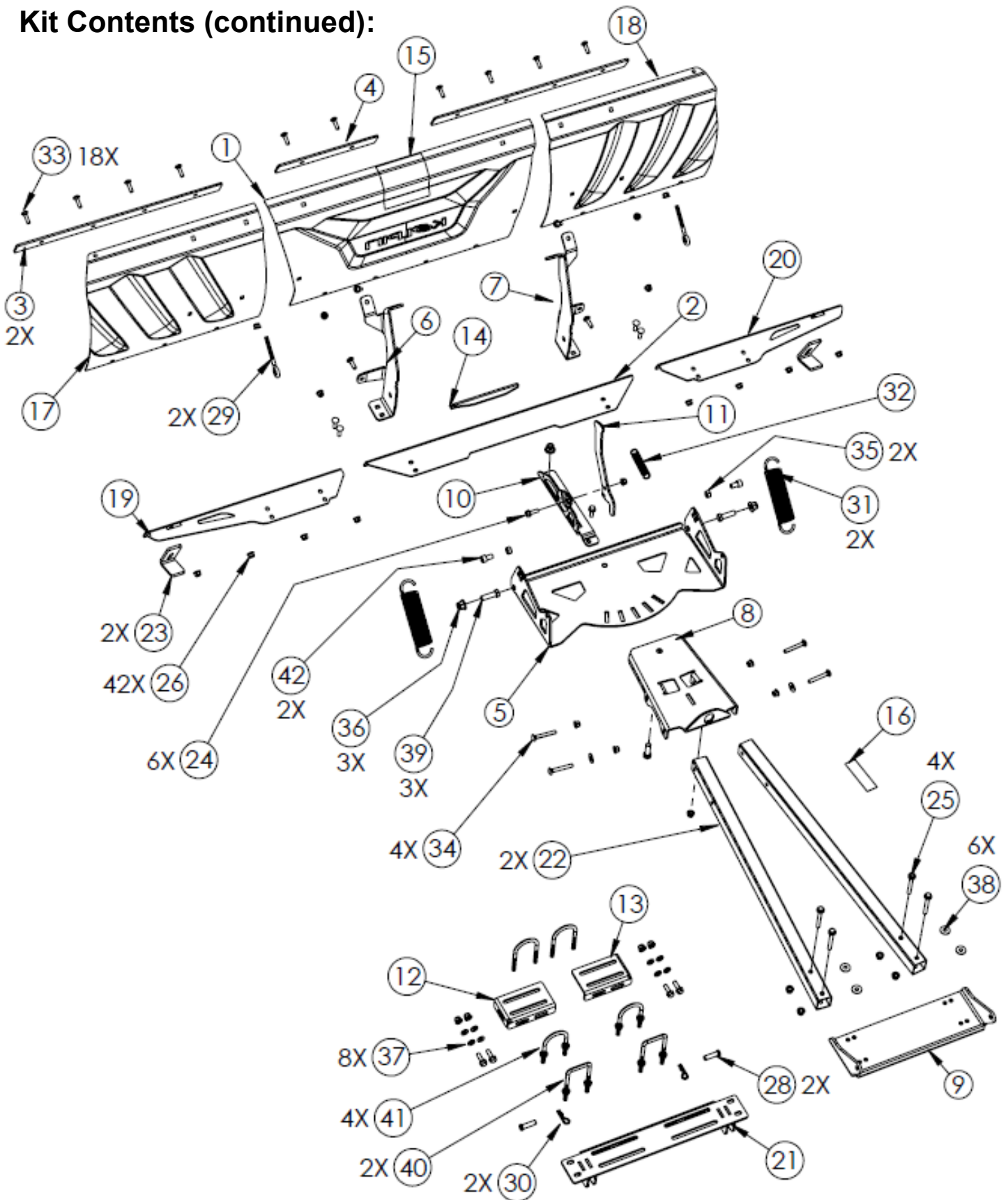
REPLACEMENT PARTS: Please contact customer service to place an order 877-956-5746

MISSING PARTS: Do Not Return to Store - Please contact customer service

Kit Contents:

Item	Qty	Part Description	Part Number
1	1	Middle Plow Blade Stamping	-
2	1	Middle Plow Support Plate	-
3	2	24" Modular Wear Bar	-
4	1	12" Modular Wear Bar	-
5	1	Plow Blade Hinge Pivot Plate	-
6	1	LH Vertical Plow Support	-
7	1	RH Vertical Plow Support	-
8	1	Push Tube Front Pivot Support	-
9	1	Rear Attaching Bracket	-
10	1	Pivot Lock Bracket	-
11	1	Pivot Lock Lever	-
12	1	Universal Mount LH Bracket	-
13	1	Universal Mount RH Bracket	-
14	1	Middle Blade Spacer	-
15	1	Warning Decal	-
16	1	Decal	-
17	1	Left Plow Blade Stamping	-
18	1	Right Plow Blade Stamping	-
19	1	Left Hand Plow Support Plate	-
20	1	Right Hand Plow Support Plate	-
21	1	ATV Universal Mount Weldment	-
22	2	Main Push Tube Bar	105302
23	2	Skid Shoe	105319
24	6	Hex Flange Bolt, Zinc Plated, M8-1.25 x 30mm LG	-
25	4	Hex Flange Bolt, Zinc Plated, M8-1.25 x 65mm LG	-
26	42	Flange Locknut, Zinc Plated, M8-1.25	-
27	1	Promo Decal (not shown)	-
28	2	Clevis Pin, Zinc Plated, 10mm x 35mm	PUR1209
29	2	Eye Bolt, Zinc Plated, Full Thread, M8-1.25 x 110mm	PUR1216
30	2	Hair Pin, Zinc Plated, #3	PUR1249
31	2	Blade Trip Spring	PUR1409
32	1	Lever Tension Spring	PUR1437
33	18	Carriage Bolt, Zinc Plated, M8-1.25 x 30mm LG	PUR3054
34	4	Carriage Bolt, Zinc Plated, M8-1.25 x 60mm LG	PUR3057
35	2	Hex Locknut, Zinc Plated, M10-1.5	PUR3069
36	3	Flange Locknut, Zinc Plated, M12-1.75	PUR3076
37	8	Flat Washer, Zinc Plated, M8	PUR3087
38	6	Fender Washer, Zinc Plated, M8	PUR3093
39	3	Hex Flange Bolt, M12-1.75 x 40mm LG	PUR3203
40	2	Square U-Bolt, Zinc Plated, M8-1.25 x 50 x 110	-
41	4	Round U-Bolt, Zinc Plated, M8-1.25 x 40 x 96	-
42	2	Socket Head Cap Screw, Zinc Plated, M10-1.5	-
43	1	Owner's Manual (not shown)	-

Kit Contents (continued):



MISSING PARTS: Do Not Return to Store - Please contact customer service

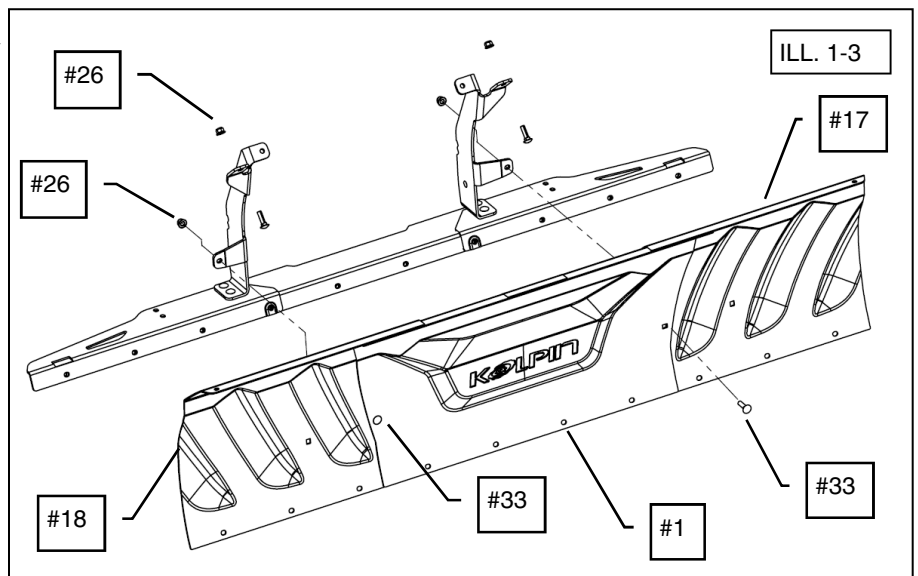
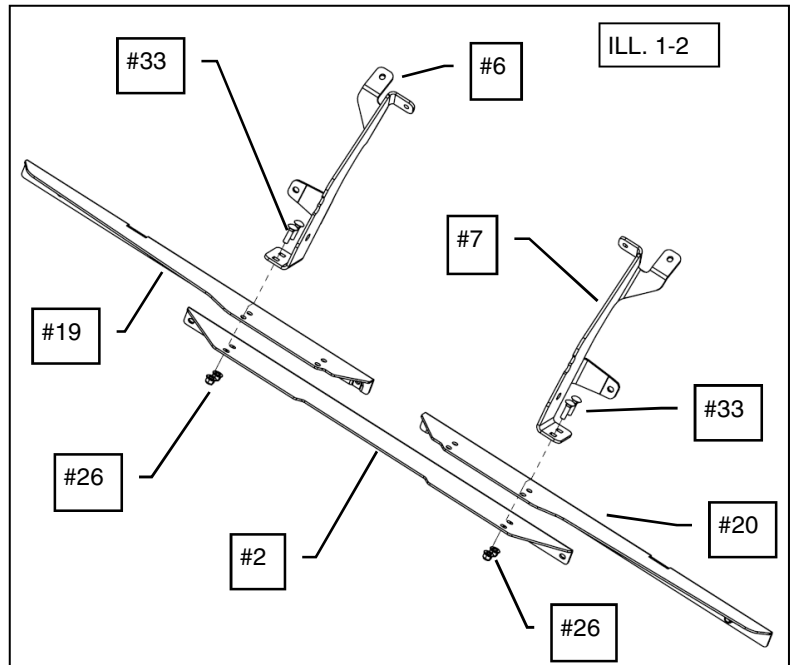
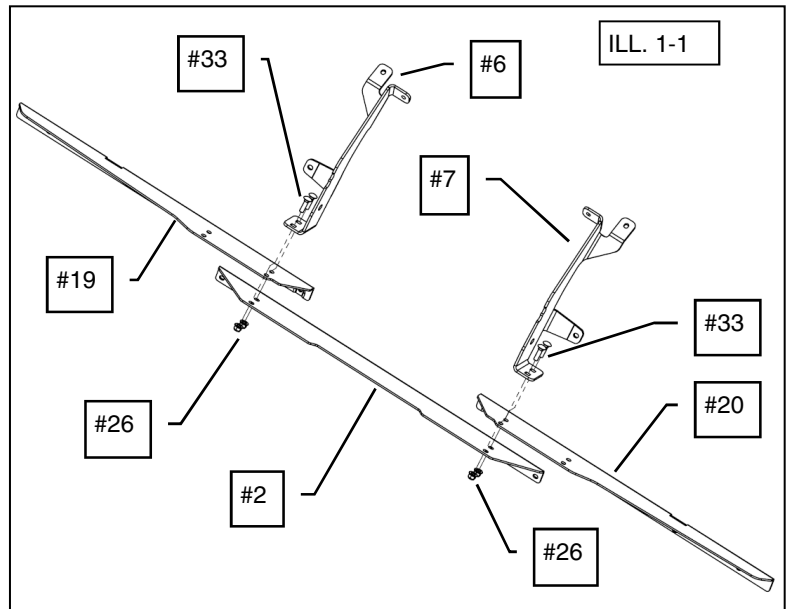
Phone: 1-877-956-5746 | email: customerservice@kolpin.com

ASSEMBLY INSTRUCTIONS:

STEP 1 - ASSEMBLE THE PLOW BLADE:

NOTE: Blade can be setup as 60" (152cm) wide or 48" (122cm) wide.

1. For 60" (152cm) wide: Assemble plow support plates (items #2, #19, #20) to vertical supports (items #6, #7) using M8 fasteners (items #33, #26) as shown to create the blade frame. **Leave fasteners loose at this time. Do not tighten.** (See illustration 1-1). To continue with 60" (152cm), skip to 3.
2. For 48" (122cm) wide: Assemble plow support plates (items #2, #19, #20) to vertical supports (items #6, #7) using M8 fasteners (items #33, #26) as shown to create the blade frame. **Leave fasteners loose at this time. Do not tighten.** (See illustration 1-2). To continue with 48" (122cm), skip to 4.
3. For 60" (152cm) wide: Assemble right blade (item #18), left blade (item #17) and middle blade (item #1) to the blade frame using M8 fasteners (items #33, #26) as shown. **Leave fasteners loose at this time. Do not tighten.** (See illustration 1-3). To continue with 60" (152cm), skip to 5.

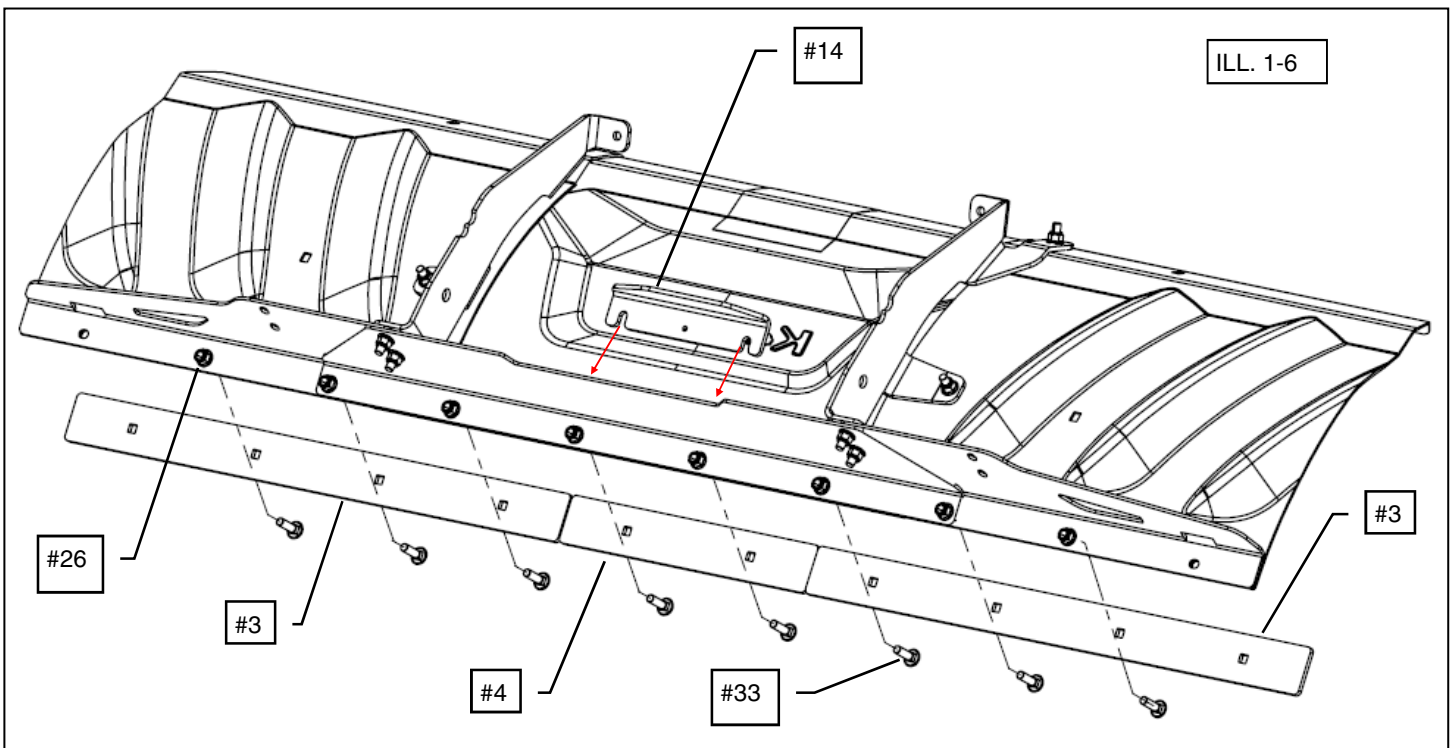
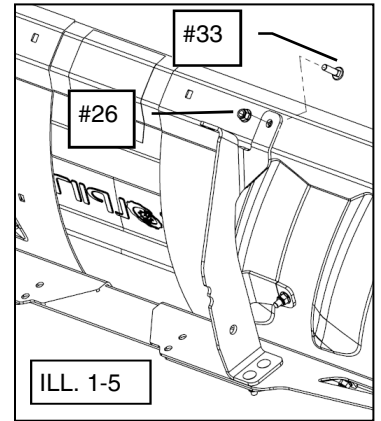
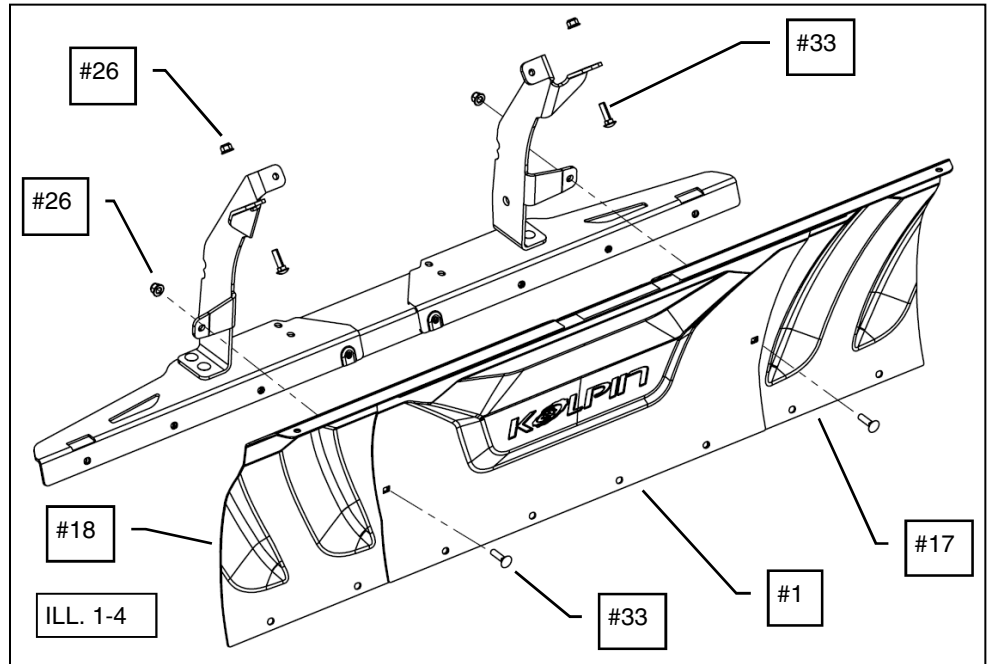


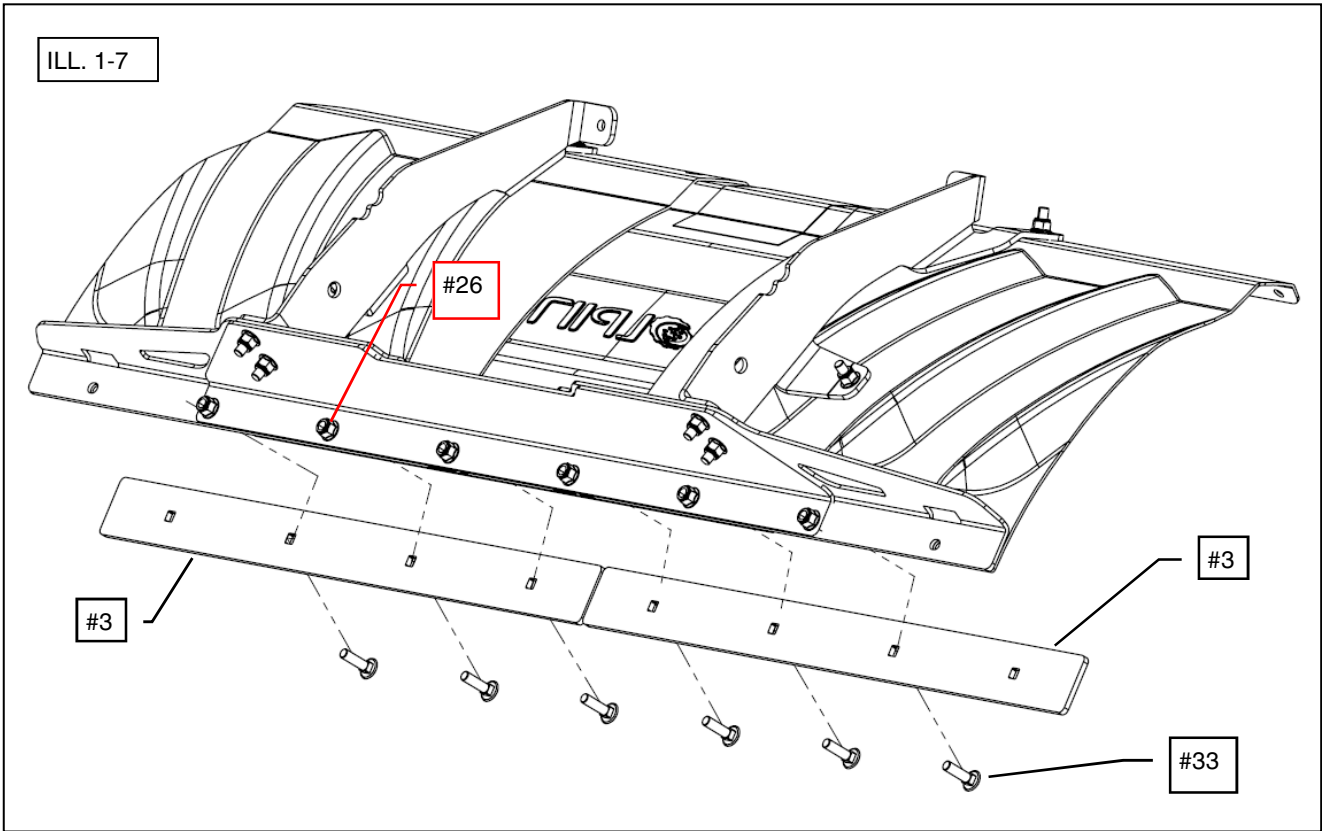
**ASSEMBLY
INSTRUCTIONS
(continued):**

**STEP 1 - ASSEMBLE
THE PLOW BLADE
(continued):**

*NOTE: Blade can be setup as
60" (152cm) wide or
48" (122cm) wide.*

4. For 48" (122cm) wide:
Assemble right blade (item #18), left blade (item #17) and middle blade (item #1) to the blade frame using M8 fasteners (items #33, #26) as shown. **Leave fasteners loose at this time. Do not tighten.** (See illustrations 1-4 and 1-5). To continue with 48" (122cm), skip to 6.
5. For 60" (152cm) wide: Assemble the blade, plow frame bottom support and wear bars (items #3, #4) using M8 fasteners (items #33, #26) and middle blade spacer (item #14) as shown. **Leave fasteners loose at this time. Do not tighten.** (See illustrations 1-6). To continue with 60" (152cm), skip to 7.





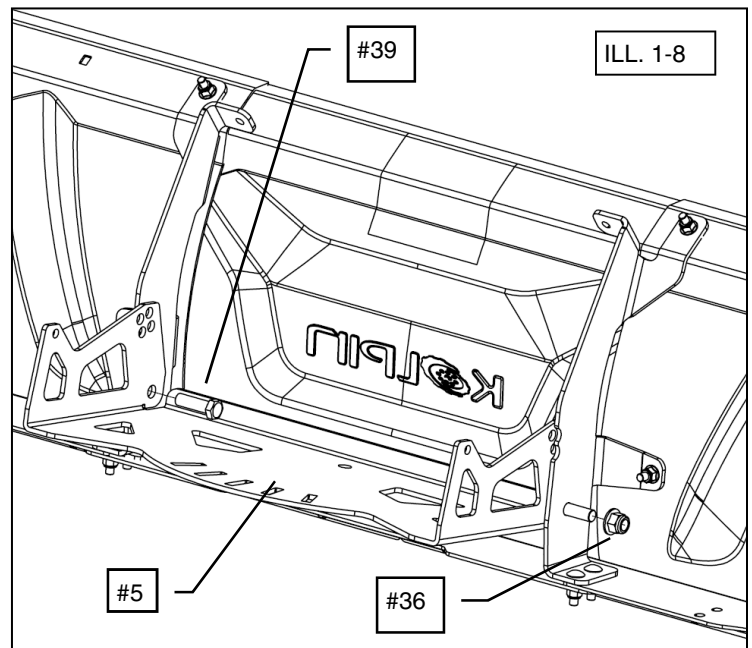
ASSEMBLY INSTRUCTIONS (continued):

STEP 1 - ASSEMBLE THE PLOW BLADE (continued):

NOTE: Blade can be setup as 60" (152cm) wide or 48" (122cm) wide.

6. For 48" (122cm) wide: Assemble the blade, plow frame bottom support and wear bars (items #3) using M8 fasteners (items #33, #26) as shown. **Leave fasteners loose at this time. Do not tighten.** (See illustration 1-7). To continue with 48" (122cm), proceed to 7.

7. Attach the plow blade hinge pivot plate (item #5) to the plow blade. Insert M12 hex bolts (item #39) thru holes in the blade and push frame. Fasten the hinge pivot plate to the blade using M12 hex nuts (item #36). Tighten nut, then back out 1/8 - 1/4 turn to allow blade to hinge freely. (See illustration 1-8). **Note, bolt should be tight enough to not move, but the blade must rotate freely.**

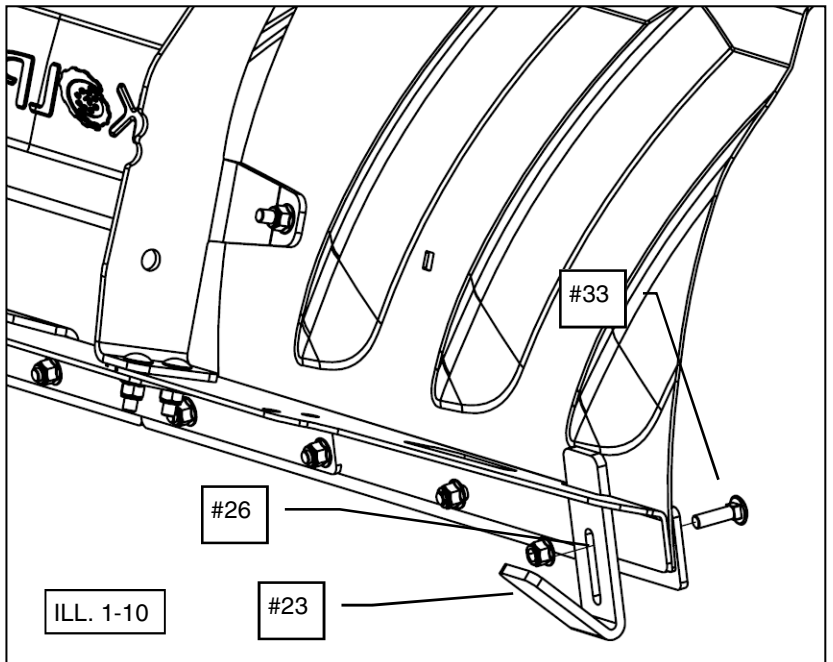
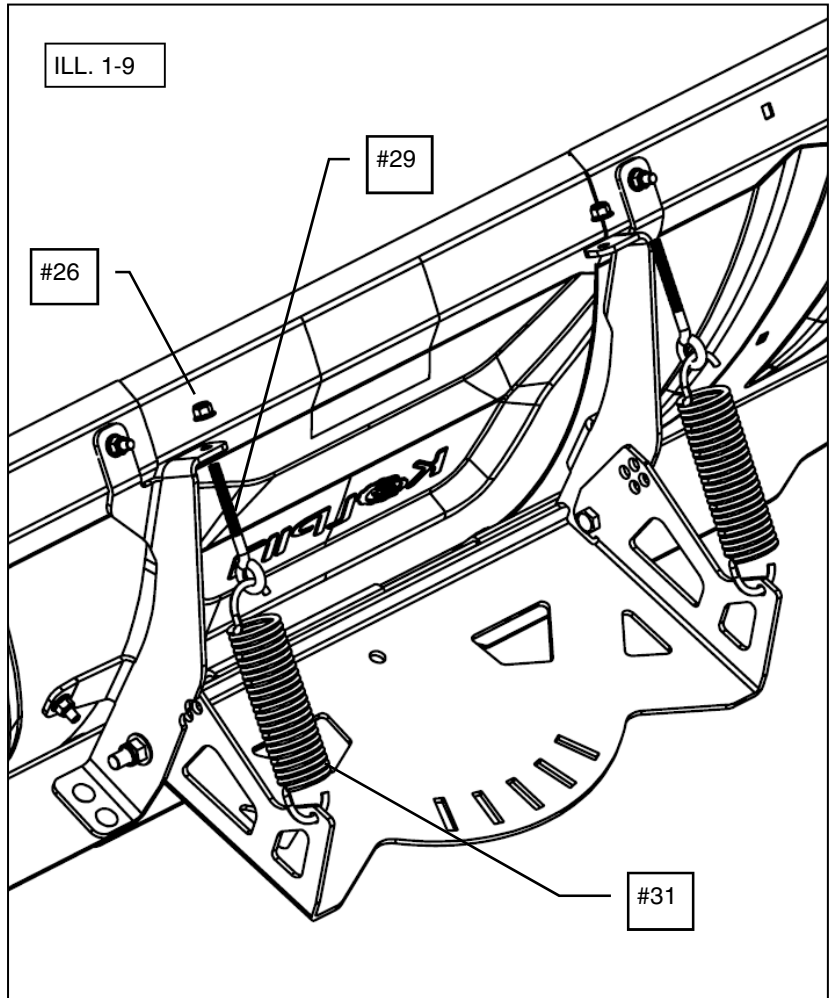



ASSEMBLY INSTRUCTIONS (continued):

STEP 1 - ASSEMBLE THE PLOW BLADE (continued):

NOTE: Blade can be setup as 60" (152cm) wide or 48" (122cm) wide.

8. Assemble blade trip springs (item #31) and eyebolts (item #29) between the blade assembly and the pivot spring tab brackets. Fasten eyebolts to frame tab with M8 hex locknuts (item #26) onto the eyebolts until 2-3 threads show thru the locking feature. (See illustration 1-9).
9. Attach skid shoes (item #23) to each end of the plow blade frame using M8 fasteners (items #33, #26) as shown. **Leave fasteners loose at this time. Do not tighten.** (See illustrations 1-10).
10. Notice, initial setting of skid height depends on the terrain. Set the skids even with the wear bar cutting edge for level surfaces such as concrete or asphalt. For irregular surfaces, lower the skids to raise the wear bar cutting edge.
11. Starting with vertical supports, tighten all plow blade fasteners to specification.

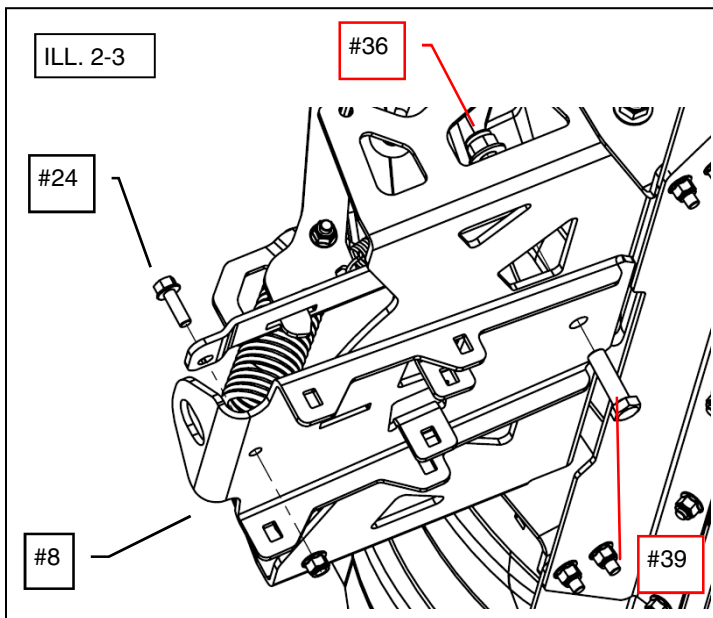
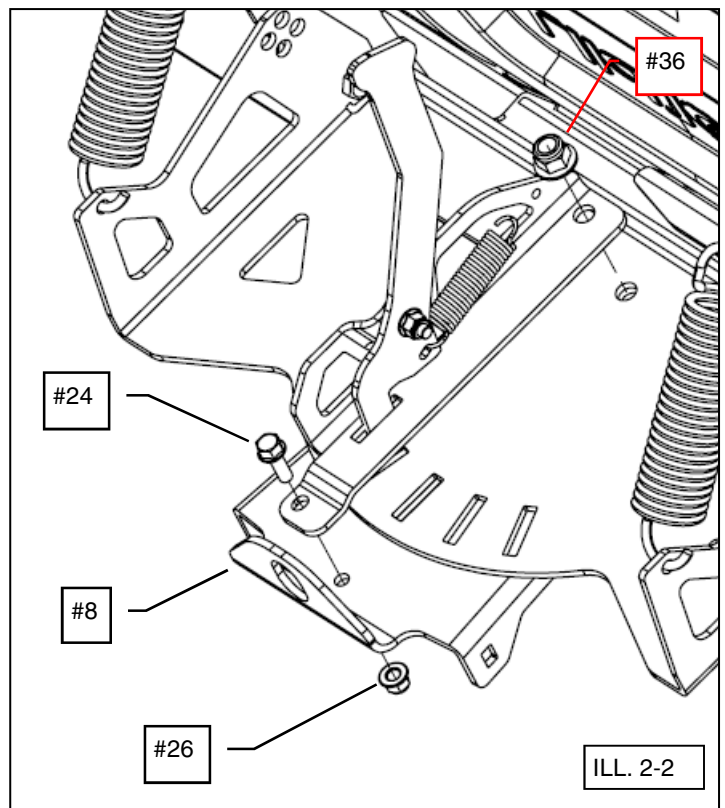
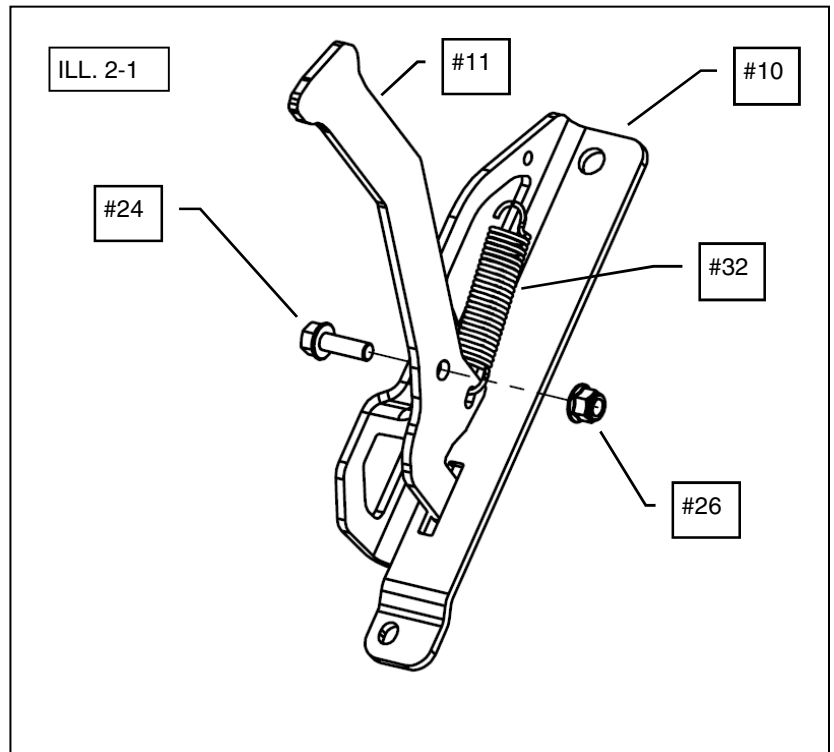



 = T
8MM FASTENER TORQUE: 17 ft-lbs. (23 N-m)

ASSEMBLY INSTRUCTIONS (continued):

STEP 2 - ASSEMBLE THE PLOW PIVOT:

1. Assemble the pivot lock lever (item #11) and the lever spring (item #32) to the lock bracket (item #10) using M8 fasteners (item #24, #26) as shown. **Notice, tighten the locknut then back out 1/4-1/2 turn to allow lever to pivot freely.** (See illustration 2-1).
2. Assemble the push tube front pivot support (item #8) to the blade hinge plate and pivot lever using M8 and M12 fasteners (item #24, #26, #36, #39) as shown. Tighten the M8 bolt and nut (item #24, #26) to torque specification. **For the M12 bolt and nut (item #41, #38), tighten then back out 1/4-1/2 turn to allow the pivot lock to move freely.** (See illustrations 2-2 and 2-3).



 = T

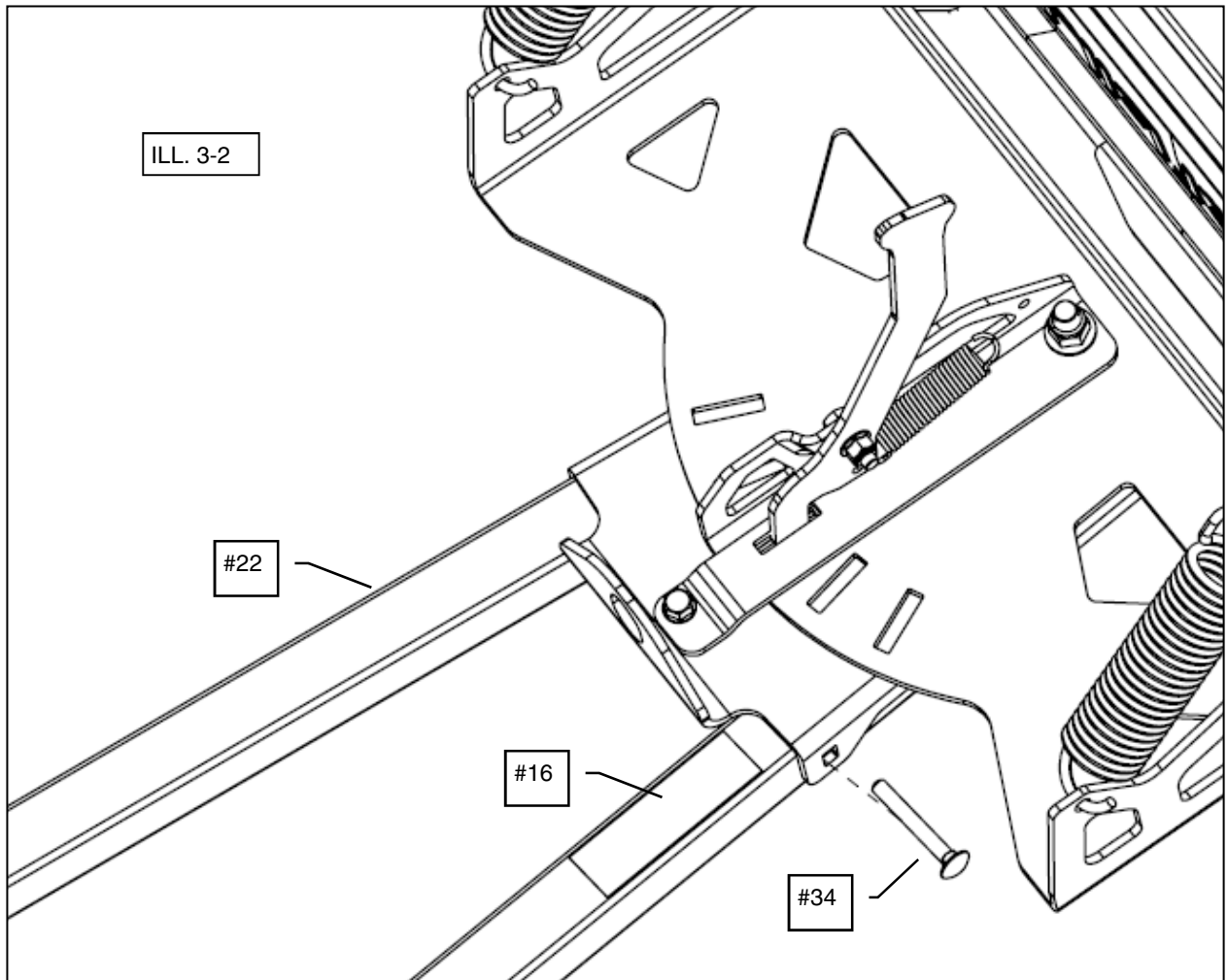
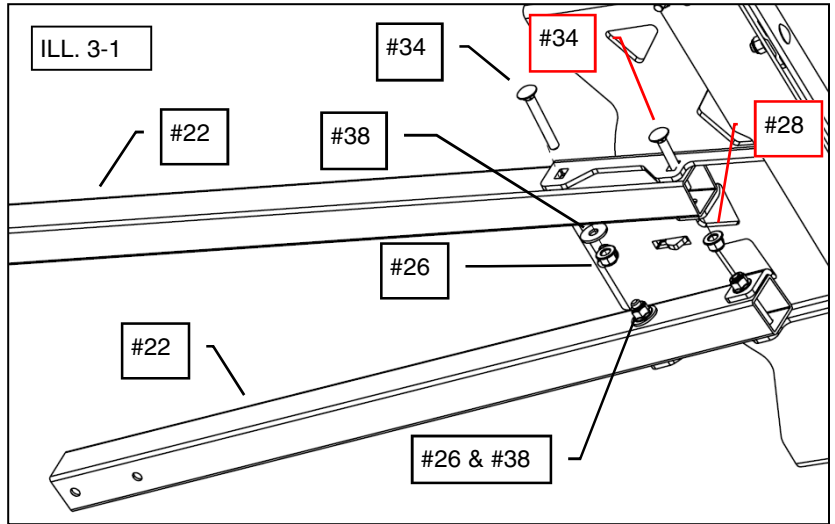
8MM FASTENER TORQUE:
17 ft-lbs. (23 N-m)

ASSEMBLY INSTRUCTIONS

(continued):

STEP 3 - ASSEMBLE THE PLOW FRAME:

1. Install the left and right push tube bars (item #22) onto the assembled pivot plate. Fasten with M8 carriage bolts (item #34), washers (item #38) and locknuts (item #26). **Notice, the Kolpin sticker (item #16) should be positioned on the right top side facing towards the pivot plate. Leave fasteners loose at this time. Do not tighten.** (See illustrations 3-1 and 3-2).

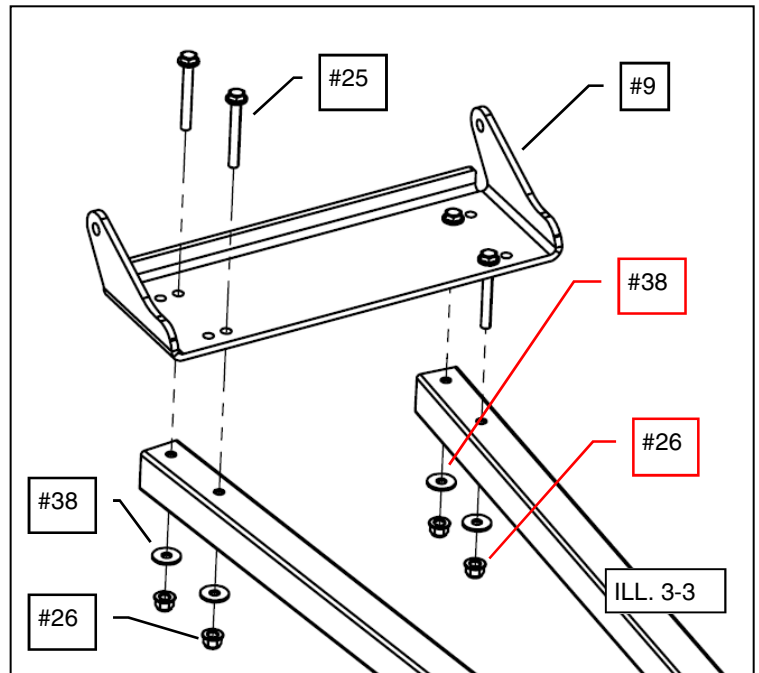



ASSEMBLY INSTRUCTIONS

(continued):

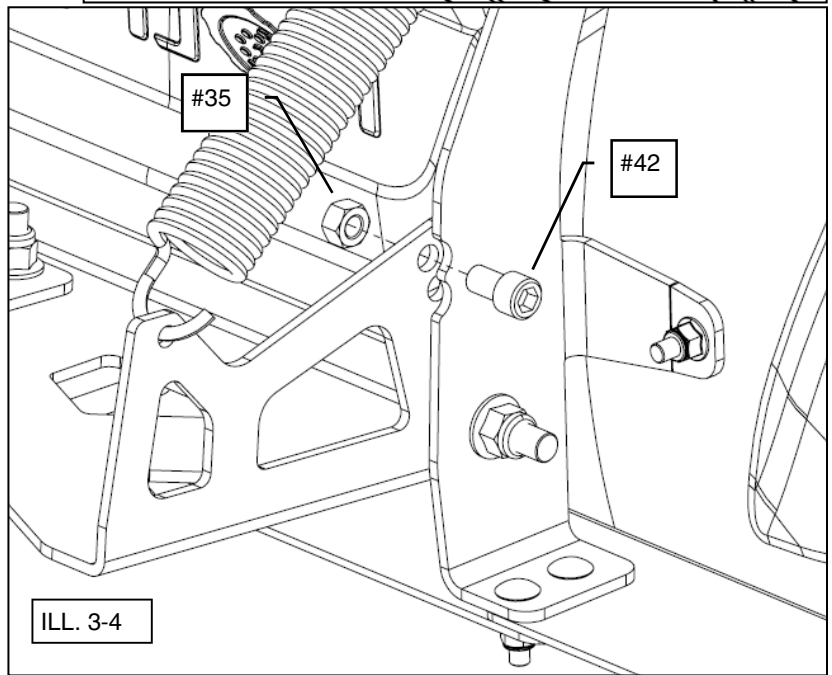
STEP 3 - ASSEMBLE THE PLOW FRAME (continued):


2. Install the rear attaching bracket (item #9) onto the assembled push tubes. Fasten with M8 hex bolts (item #25), washers (item #38) and locknuts (item #26). (See illustration 3-3).
3. Tighten all push tube fasteners to specification.

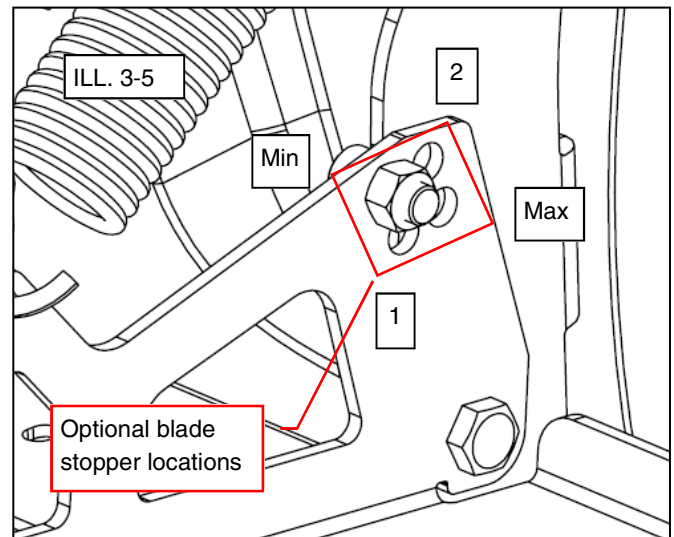


 = T
8MM FASTENER TORQUE: 17 ft-lbs. (23 N-m)

5. Install the blade stops (item #42) and fasten with nuts (item #35). **Leave fasteners loose at this time. Do not tighten.** (See illustration 3-4).
6. **Notice, blade tilt stopper adjustment: Perform with plow system mounted and in the down position.** Adjust the blade stops and blade trip spring tension as desired to achieve best performance. (See illustration 3-5).
7. Tighten blade stopper fasteners to specification.



 = T
10MM FASTENER TORQUE: 34 ft-lbs. (46 N-m)



VEHICLE INSTALLATION INSTRUCTIONS:

STEP 4 - INSTALL UNIVERSAL MOUNT TO ATV:

BEFORE YOU BEGIN INSTALLATION:

- Your Kolpin accessory is exclusively designed for your vehicle.
- Please read and understand all instructions.
- Verify all parts and tools are accounted for.
- To ensure a satisfactory installation, follow all steps correctly and in the sequence described.
- Keep these instructions for future reference or for informational requests.
- To facilitate installation, make sure that your vehicle is clean and free of debris.
- All directions referring to right and left are when the rider is sitting on the machine
- If equipped, the plastic skid plate will need to be modified to be reinstalled on the vehicle
- Remove your plow system before trail riding.

TOOLS REQUIRED:

- Basic Metric Hand Wrench and Socket Set
- Torque Wrench
- Drill or cutting tools for plastic and metal
- Depending on vehicle, additional tools may be required to remove plastic skid plate
- Metal saw or grinding wheel for trimming of u-bolts

APPROXIMATE INSTALLATION TIME: 15-30 minutes

Note: The Kolpin ATV Switchblade universal mount kit requires assembly to vehicle.

Note: Extra hardware is included to allow fitment to most ATVs and may not be specific to your application.

Note: U-bolts supplied in kits may be longer than needed and will require cutting to size.

Note: RE-TORQUE ALL BOLTS AND NUTS AFTER THE FIRST 30 MINUTES OF USE.

QUESTIONS: Please contact customer service 877-956-5746

NOTICE

The universal mount is designed to attach to multiple ATV brands. Some items contained in the kit are optional and may not be required to complete the installation.

Frequently check to verify the mount is centered under the ATV, does not interfere with other components, and that the approximate mount set-back distance from the front bumper is maintained during installation.

CAUTION

Verify wires, cables, hoses or brake lines are not pinched or damaged during installation.

NOTICE

Plastic skid plate may need to be modified to allow fitment of mount plates.

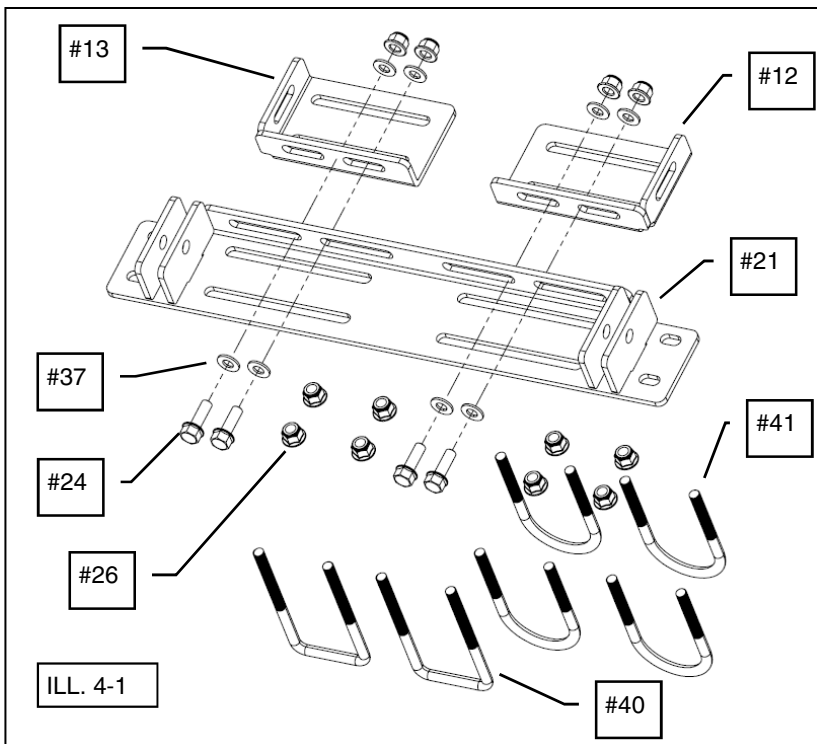
Plastic skid plate can be re-installed if desired.

Plastic skid plate provides underside protection that mount plates by themselves cannot provide.

VEHICLE INSTALLATION INSTRUCTIONS (continued):

STEP 4 - INSTALL UNIVERSAL MOUNT TO ATV (continued):

1. The universal mount plate (item #21) will attach to the underside of the vehicle located at the set-back distance (just behind the front lower control arms to provide blade clearance for front wheels). Mount brackets are included (items #12, #13) to provide additional support and access to vehicle frame locations. U-bolts (items #40, #41) will hang around the frame and fit thru holes in mount plate. Bolts, washers and nuts (items #24, #37, #26) are used for fastening.



NOTICE

Install the proper u-bolt for your frame type:

Item #40 = Square Tube Frames

Item #41 = Round Tube Frames

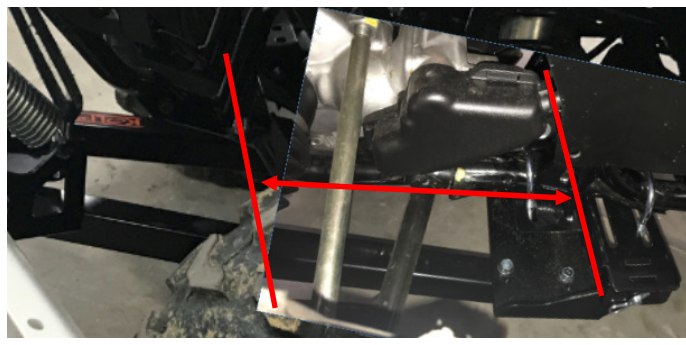
Only four u-bolts are required. U-bolts can be installed to the ATV frame front-to-back, left-to-right or a combination of both. *Note, hex bolts can be substituted for u-bolts.*

NOTICE

Approximate Base Mount Plate, Item #21,

Set-Back Distance: 15-17 inches (43-48 cm)

Measurement Location: Front edge of base mount plate to bottom edge of front bumper



NOTICE

Depending on application, some trimming of plastic guards or panels may be required to install universal mount.

Refer to version A, B, C, or D for universal mount installation, depending on your application.

Installation Prep:

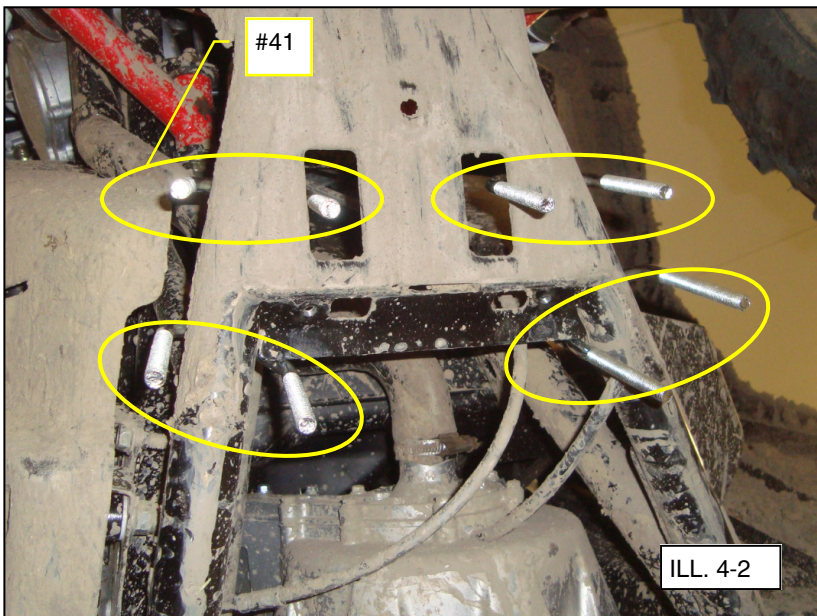
1. If equipped, detach the plastic skid plate from the vehicle to gain access to vehicle frame mounting locations.

VEHICLE INSTALLATION INSTRUCTIONS (continued):

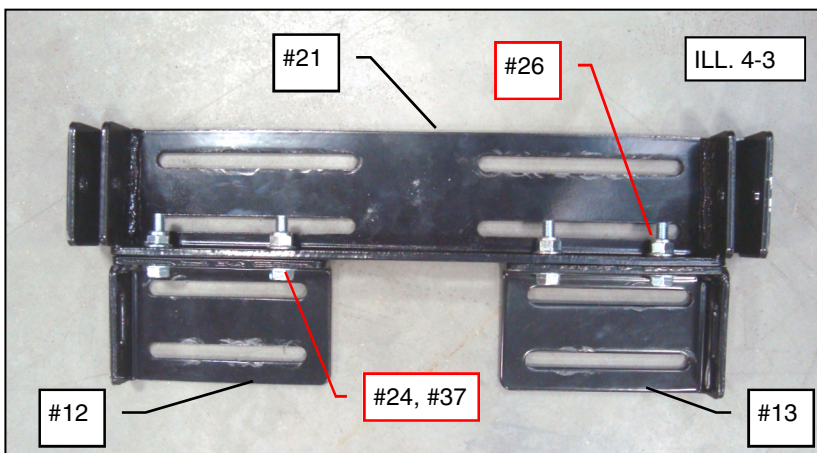
STEP 4 - INSTALL UNIVERSAL MOUNT TO ATV (continued):

OPTION A - MOUNT INSTALLATION: Polaris Sportsman 850/1000

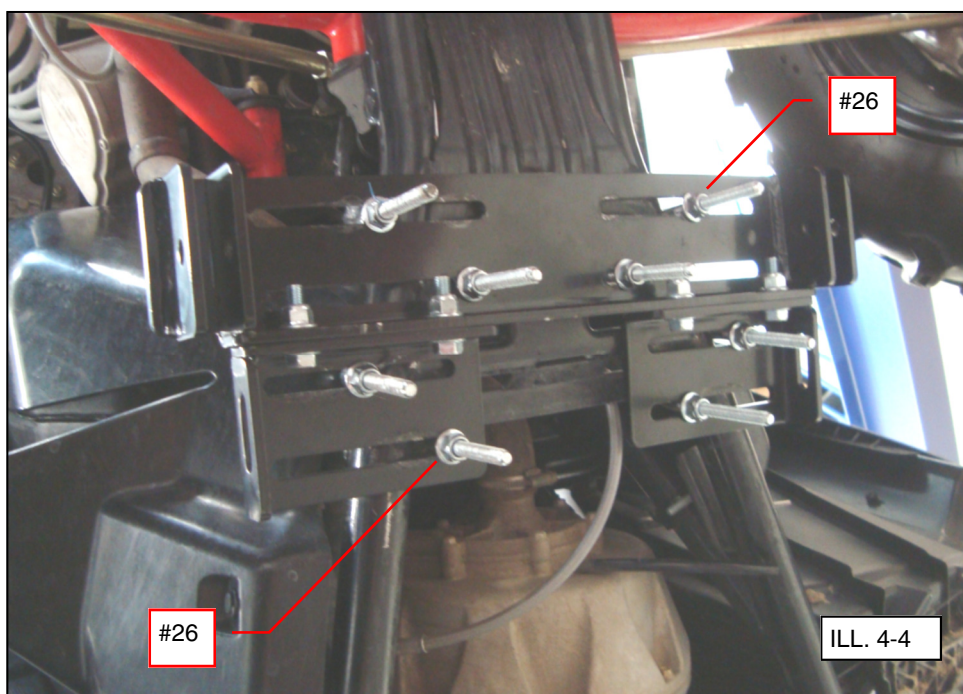
1. Pre-determine your u-bolt type and mounting location. Select from provided round u-bolts (item #41). Position hardware in the frame locations as shown. (See illustration 4-2).
2. Configure and assemble the universal mount plate (item #21) to the universal LH bracket (item #12) and universal RH bracket (item #13). Fasten together using hex bolts (item #24), washers (item #37) and locknuts (item #26). **Leave fasteners loose at this time. Do not tighten.** (See illustration 4-3).
3. Place the mount assembly onto the u-bolts and secure with locknuts (item #26) as shown. (See illustration 4-4).
4. Tighten all fasteners to specification.
5. The excess u-bolt threads can be trimmed, but leave 3-4 threads exposed past the locknut.



ILL. 4-2



ILL. 4-3



ILL. 4-4



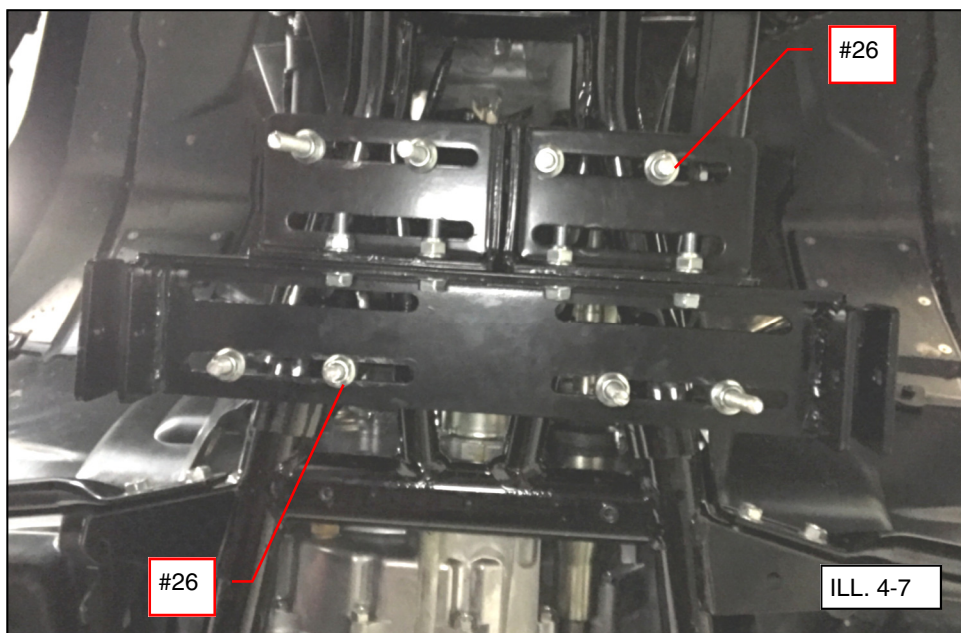
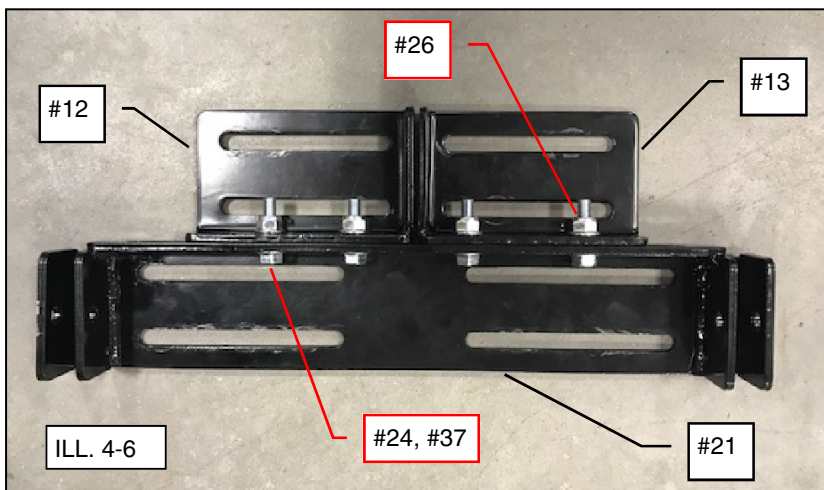
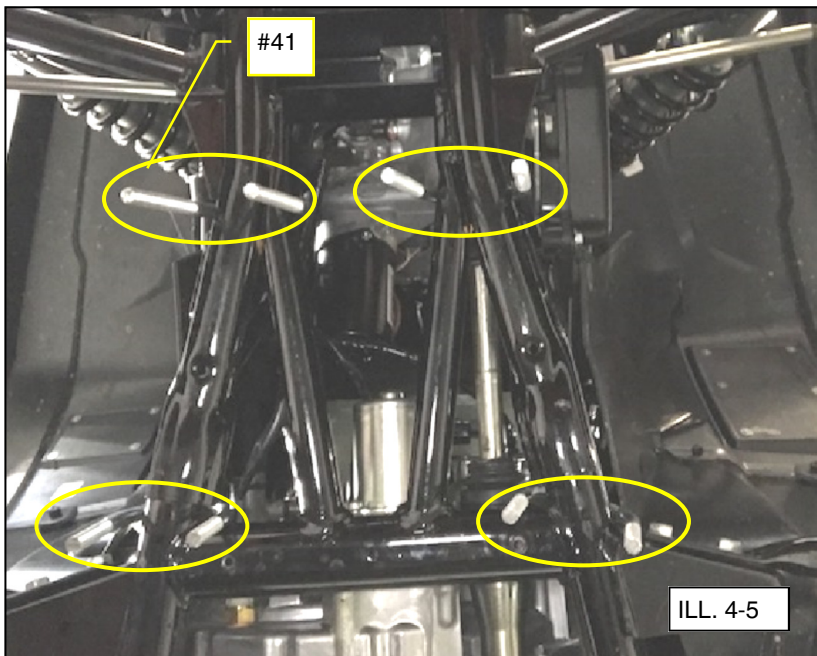
8MM FASTENER TORQUE:
17 ft-lbs. (23 N-m)


VEHICLE INSTALLATION INSTRUCTIONS (continued):

STEP 4 - INSTALL UNIVERSAL MOUNT TO ATV (continued):

OPTION B - MOUNT INSTALLATION: Honda Rancher / Foreman / Rubicon

1. Pre-determine your u-bolt type and mounting location. Select from provided round u-bolts (item #41). Position hardware in the frame locations as shown. (See illustration 4-5).
2. Configure and assemble the universal mount plate (item #21) to the universal LH bracket (item #12) and universal RH bracket (item #13). Fasten together using hex bolts (item #24), washers (item #37) and locknuts (item #26). **Leave fasteners loose at this time. Do not tighten.** (See illustration 4-6).
3. Place the mount assembly onto the u-bolts and secure with locknuts (item #26) as shown. (See illustration 4-7).
4. Tighten all fasteners to specification.
5. The excess u-bolt threads can be trimmed, but leave 3-4 threads exposed past the locknut.



 = T
8MM FASTENER TORQUE: 17 ft-lbs. (23 N-m)

VEHICLE INSTALLATION INSTRUCTIONS (continued):

STEP 4 - INSTALL UNIVERSAL MOUNT TO UTV (continued):

OPTION C - MOUNT INSTALLATION: Can-Am Outlander

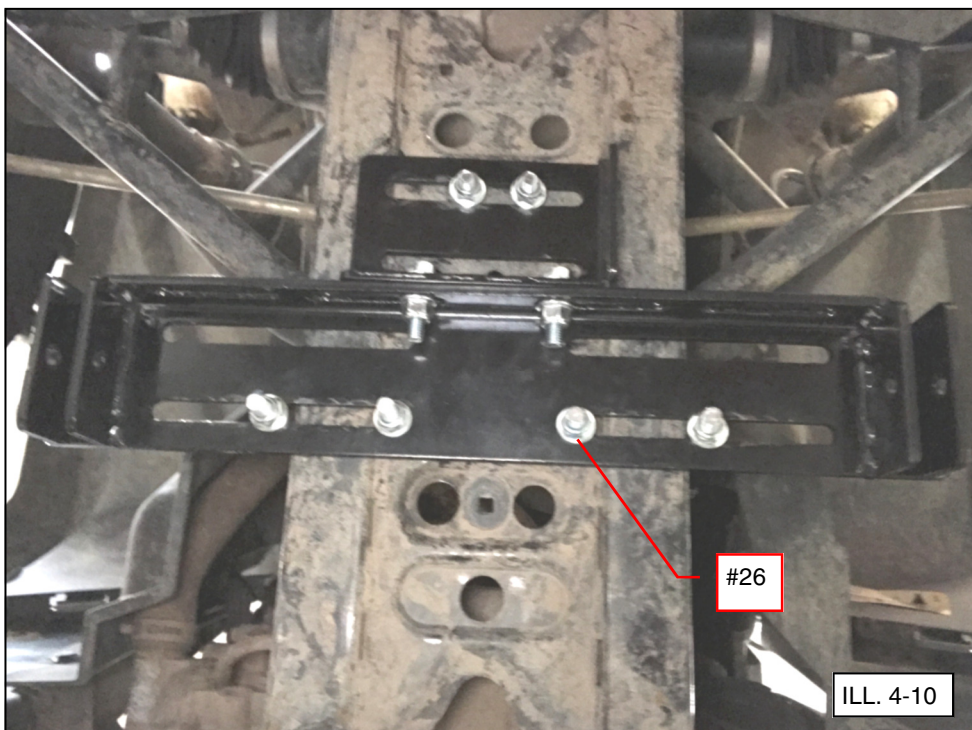
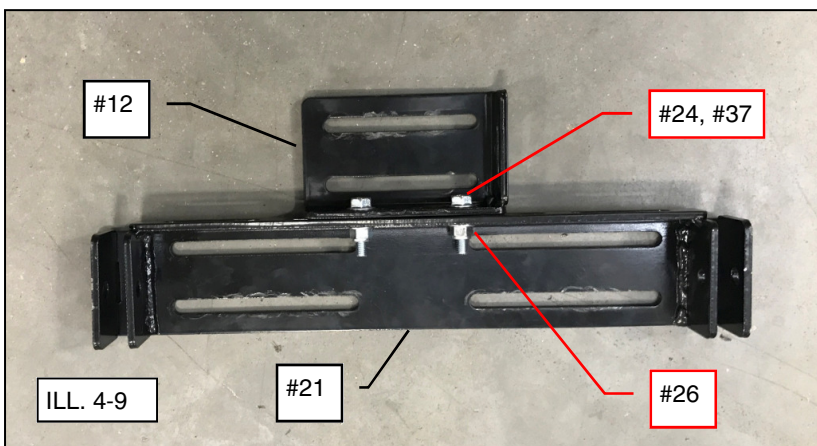
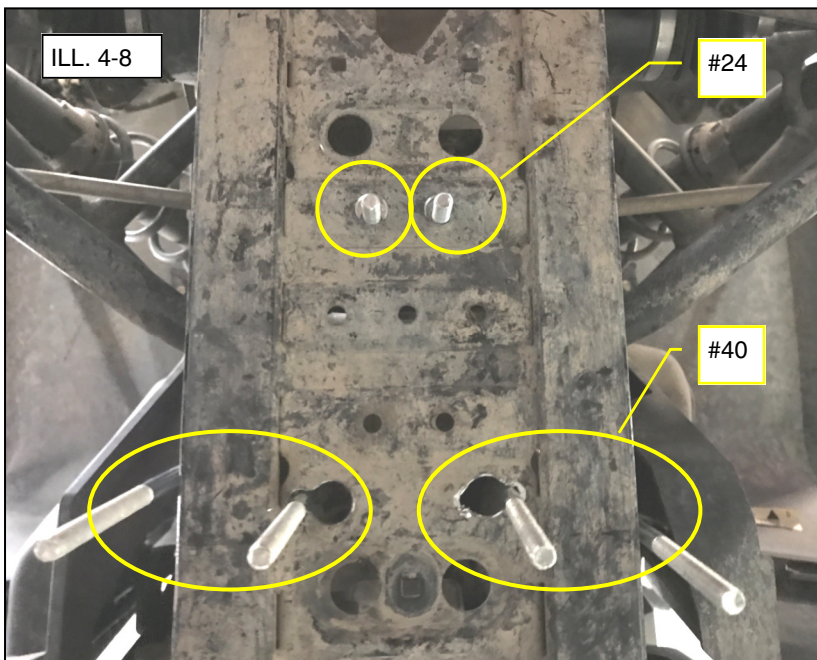
1. Pre-determine your u-bolt type and mounting location. Select from the provided square u-bolts (item #40) and hex bolts (item #24). Position hardware in the frame locations as shown. **Note, use a 10mm drill bit and drill thru thin steel skid plate to allow u-bolt to hang thru skid frame.** (See illustration 4-8).


2. Configure and assemble the universal mount plate (item #21) to the universal LH bracket (item #12). Fasten together using hex bolts (item #24), washers (item #37) and locknuts (item #26).

Leave fasteners loose at this time. Do not tighten. (See illustration 4-9).

3. Place the mount assembly onto the u-bolts and secure with locknuts (item #26) as shown. (See illustration 4-10).

4. Tighten all fasteners to specification.



 = T
8MM FASTENER TORQUE: 17 ft-lbs. (23 N-m)

VEHICLE INSTALLATION INSTRUCTIONS (continued):

STEP 4 - INSTALL UNIVERSAL MOUNT TO UTV (continued):

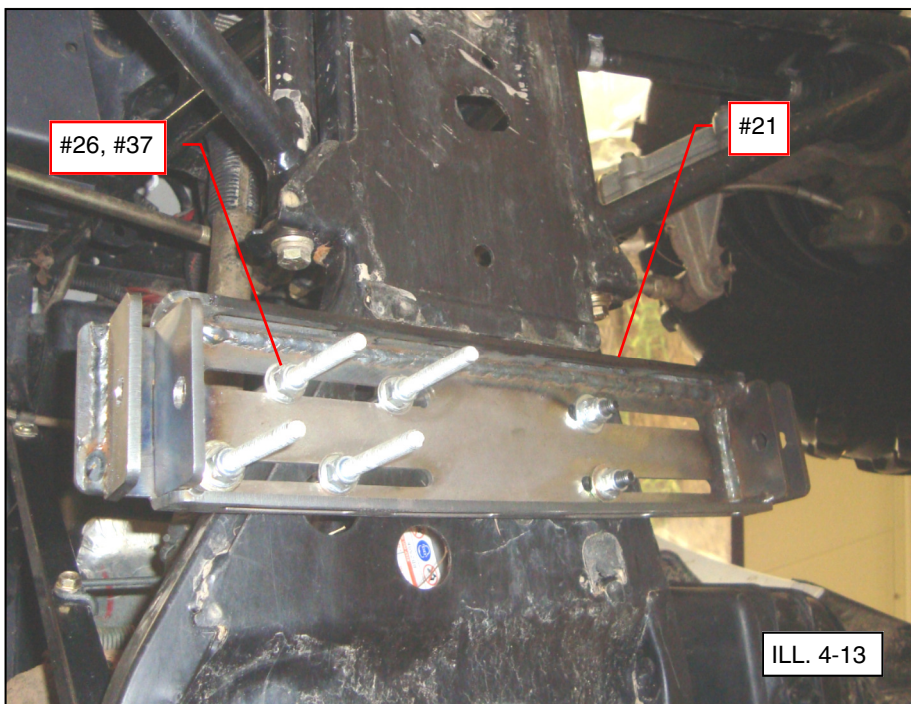
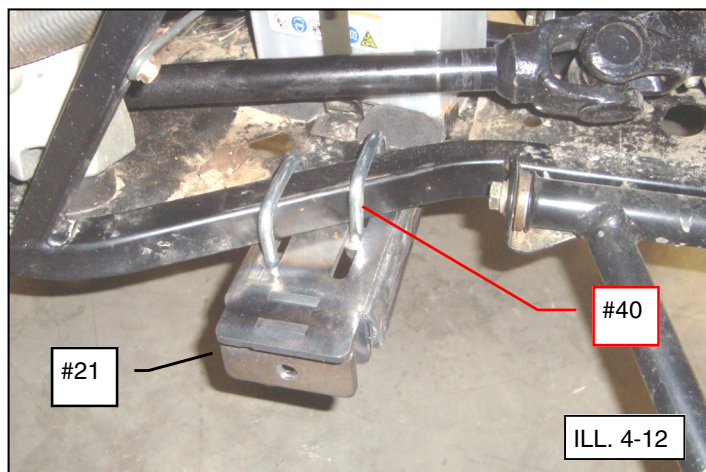
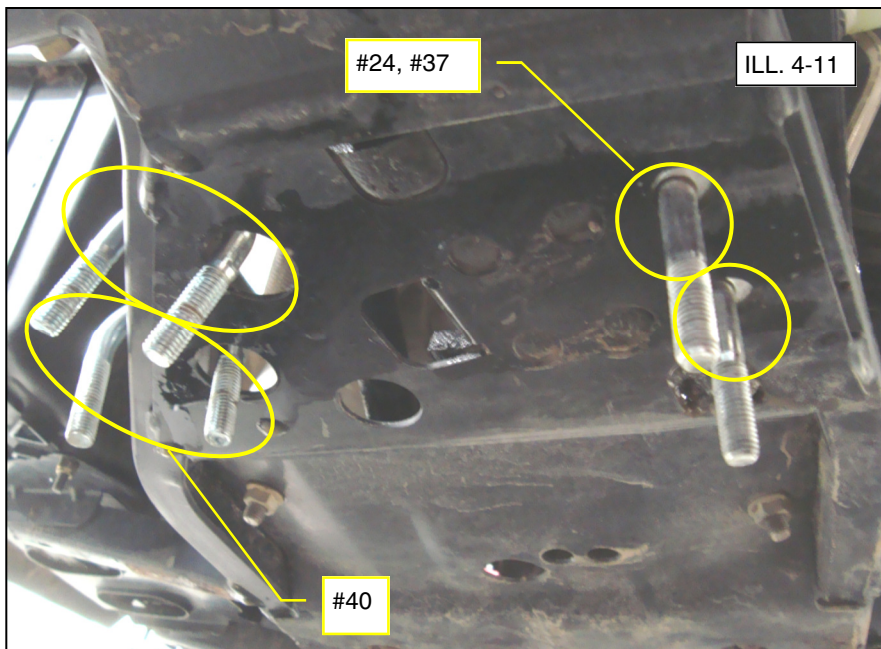
OPTION D - MOUNT INSTALLATION: Polaris Sportsman 570


1. Pre-determine your u-bolt type and mounting location. Select from the provided square u-bolts (item #40) and washers (item #37) and hex bolts (item #24). Position hardware in the frame locations as shown.

Note, temporarily lift battery off frame to gain access to holes.

(See illustrations 4-11 and 4-12).

2. Place the mount assembly (item #21) onto the bolts and secure with locknuts (item #26) and washers (item #37) as shown. (See illustrations 4-12 and 4-13).
3. Tighten all fasteners to specification.
4. The excess u-bolt threads can be trimmed, but leave 3-4 threads exposed past the locknut.

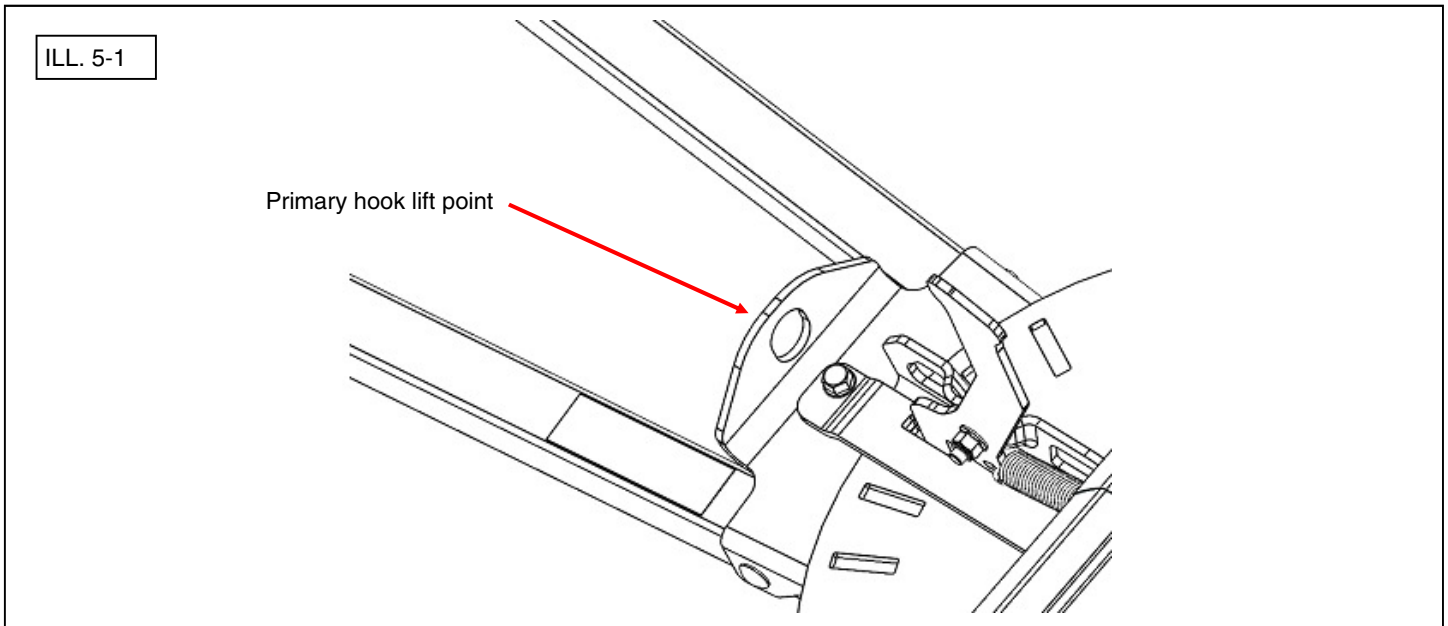


 = T
8MM FASTENER TORQUE: 17 ft-lbs. (23 N-m)

OPERATION INSTRUCTIONS:

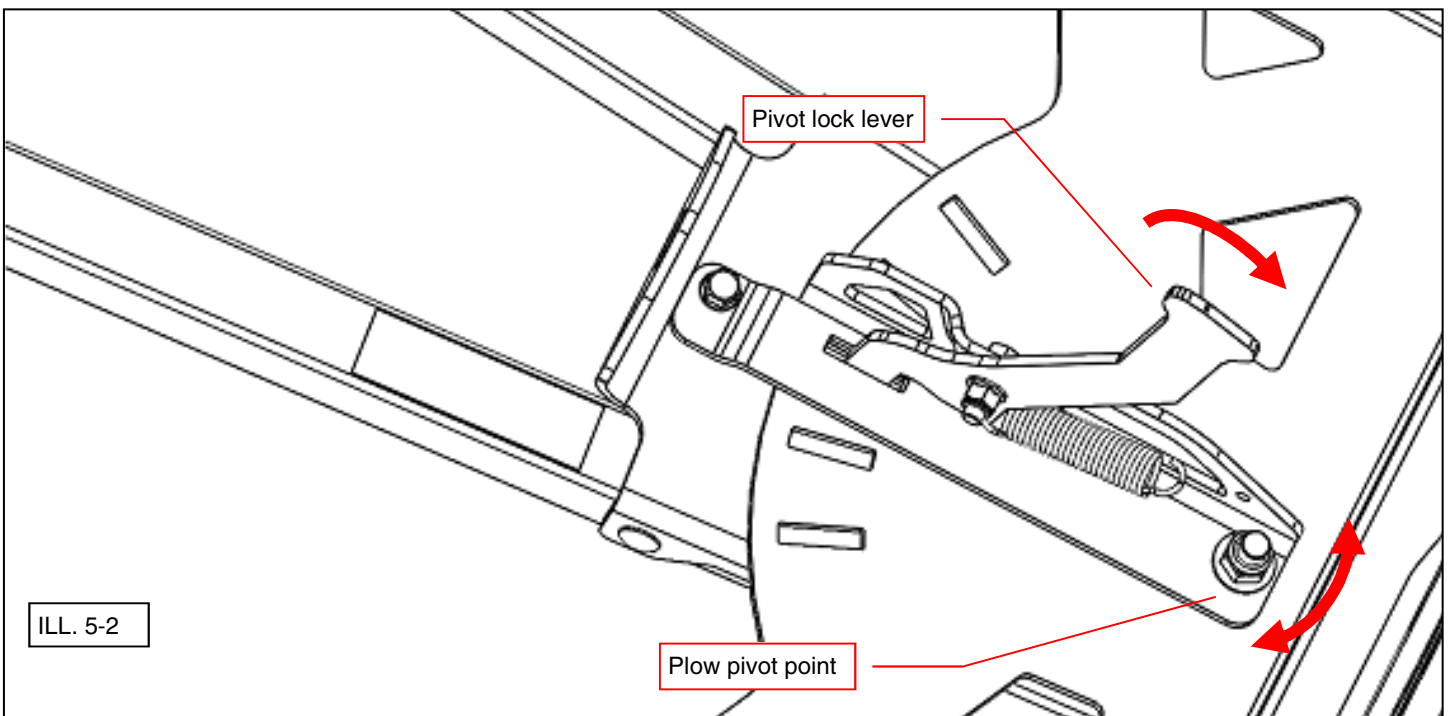
WINCH CABLE PUSH FRAME LIFT POINT:

1. The winch lift point for the Kolpin push frame is the round hook hole as shown below. (See illustration 5-1).



PIVOTING BLADE ANGLE SIDE TO SIDE:

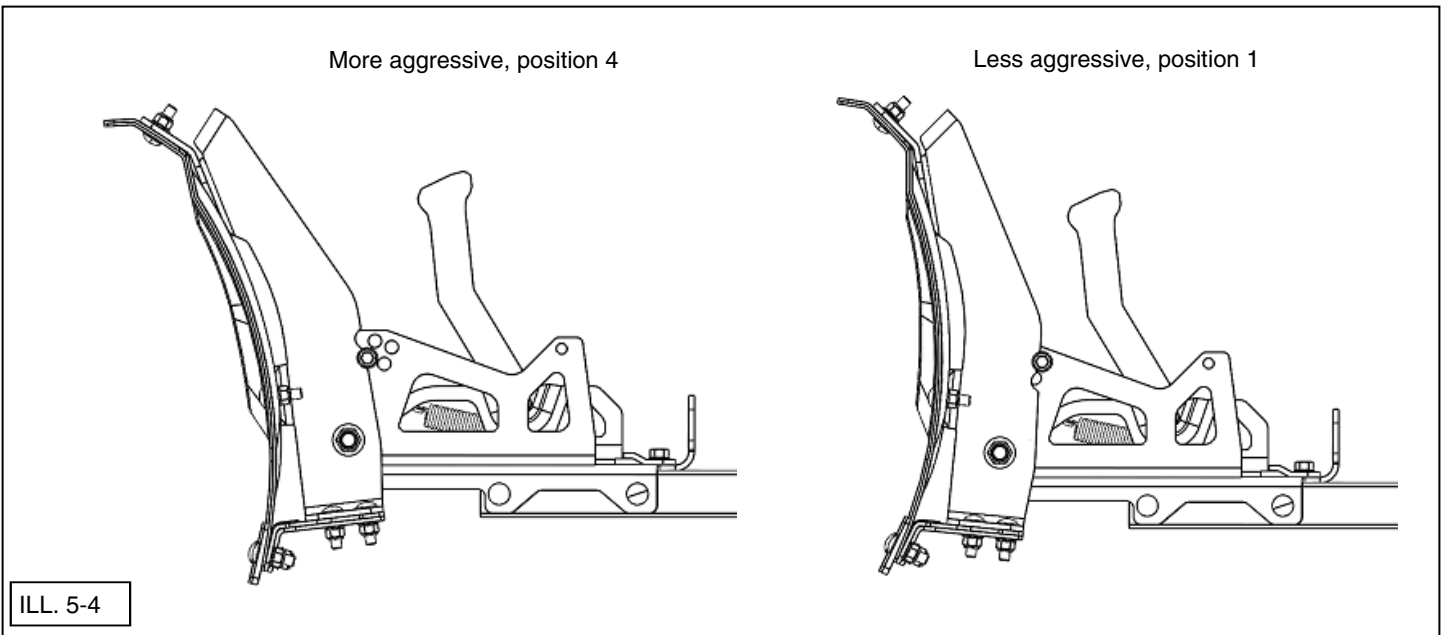
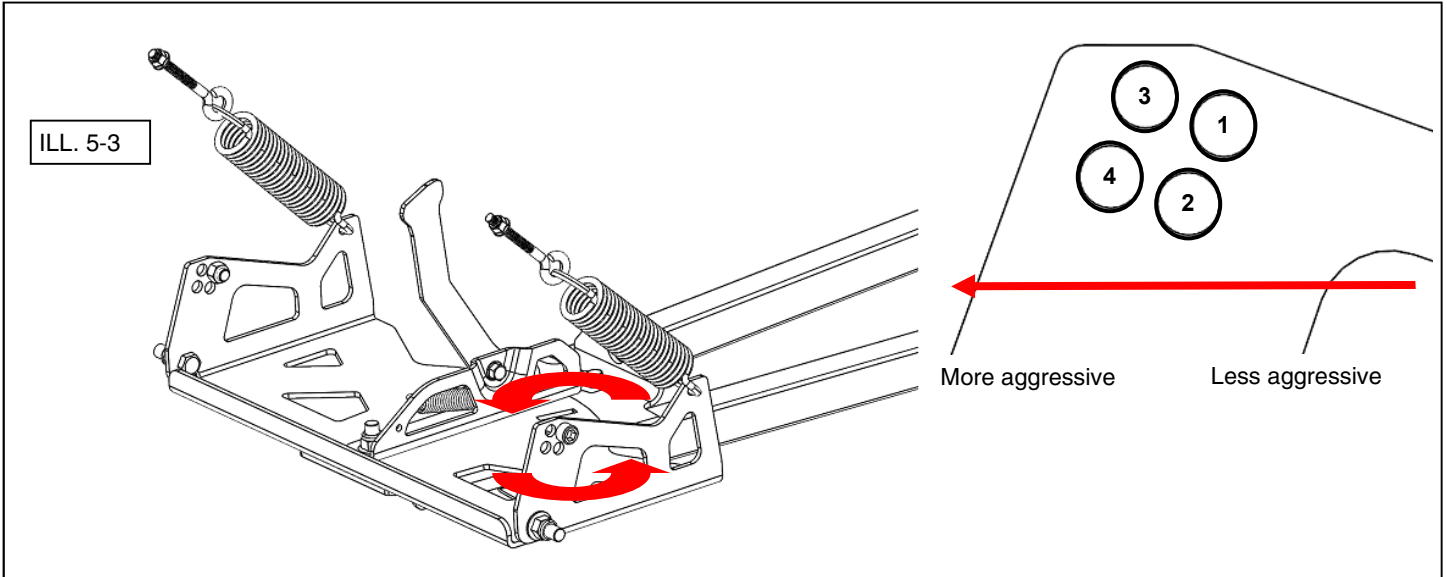
1. To adjust the angle of the plow blade so it pushes to the side, lift the plow up with the lift mechanism to clear the ground. Pull the pivot lock lever toward the blade and swivel the plow to desired angle. Release the pivot lever and the plow will lock itself in place at any of the two angle slot positions on either side. (See illustration 5-2).



OPERATION INSTRUCTIONS (continued):

SCRAPING ANGLE ADJUSTMENT:

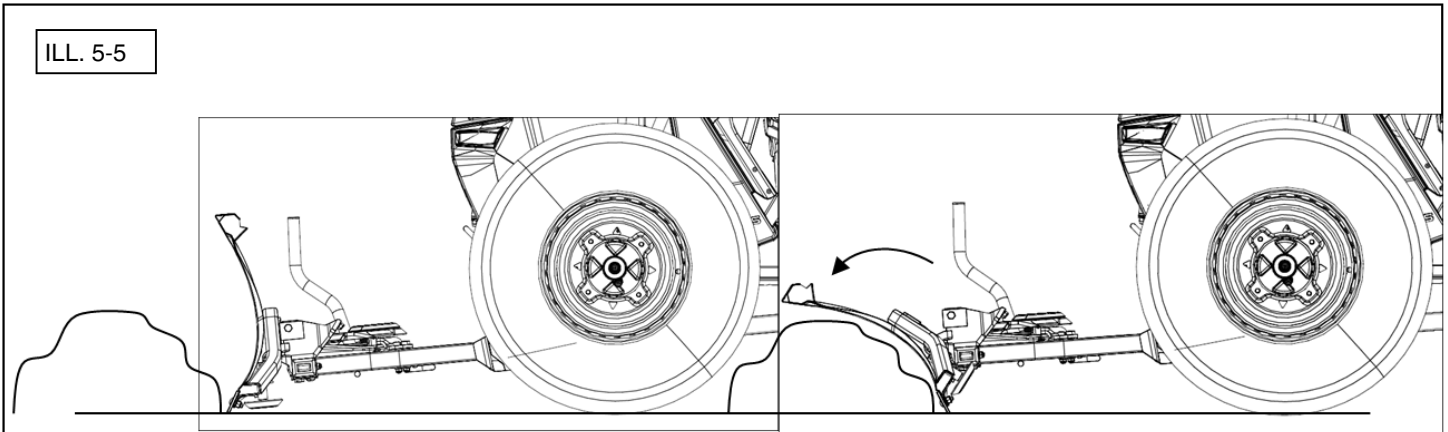
1. Re-position the adjustable plow stoppers to one of the four positions in order to make the plow more aggressive or less aggressive. Position 1 is the hole farthest from blade. (See illustrations 5-3 and 5-4).



OPERATION INSTRUCTIONS (continued):

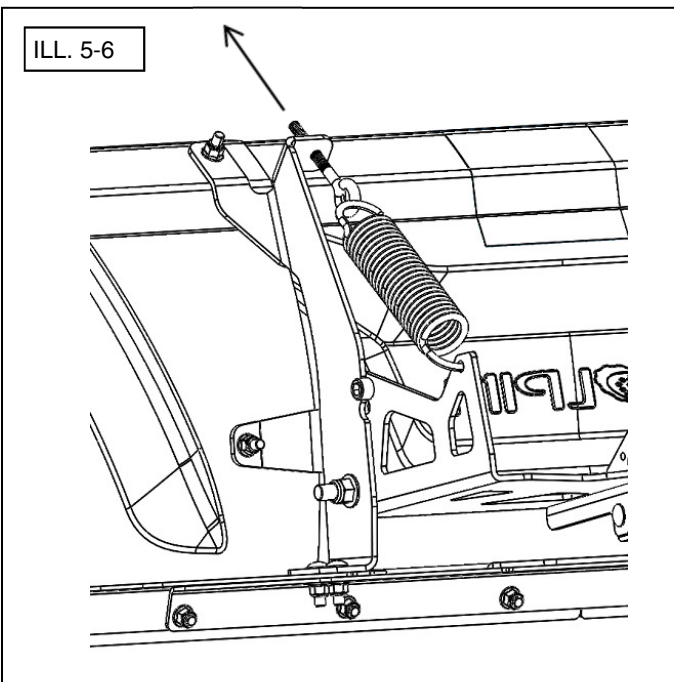
BLADE TRIP HINGE FUNCTION:

1. The plow is designed to trip forward when it hits a solid object. When the pressure on the plow is released, it will return to its original position by itself. (See illustration 5-5).



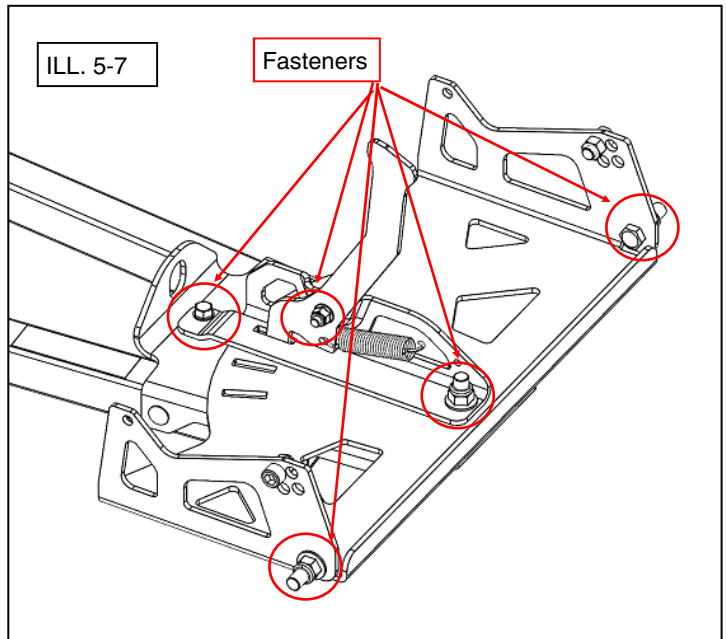
PLOW TRIPPING FORCE ADJUSTMENT:

1. The plow trip springs may be set stiffer by tightening the self-locking nuts located at the ends of the eye bolts. For less tension, loosen the nuts. (See illustration 5-6).



FASTENER TIGHTNESS:

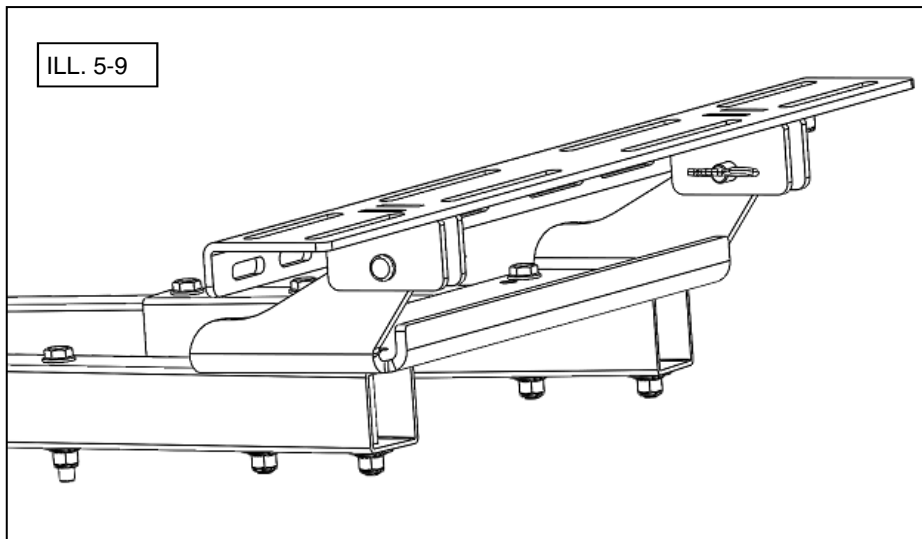
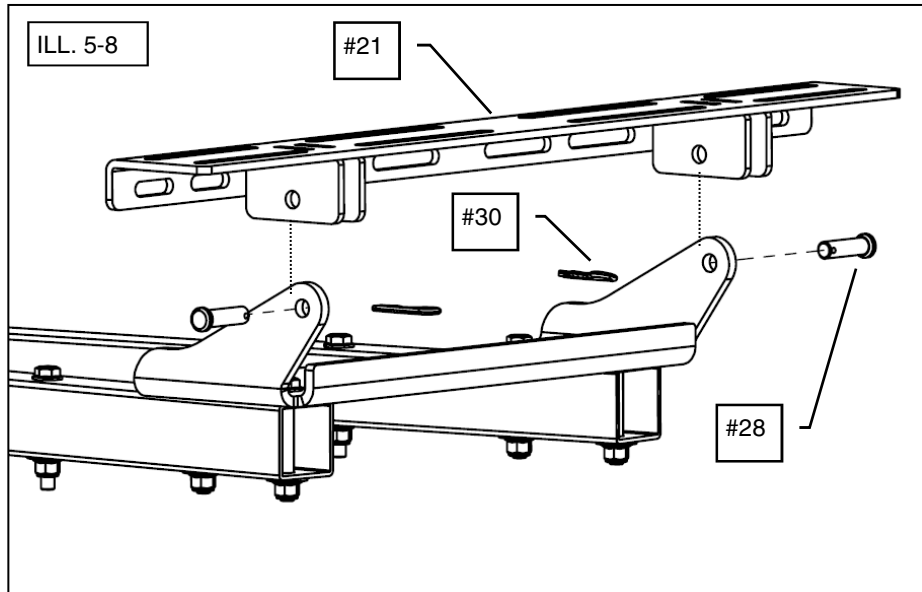
1. Be sure to frequently check that the (5) fasteners of the pivot frame assembly are always tight to ensure good system function. (See illustration 5-7).



OPERATION INSTRUCTIONS (continued):

PUSH TUBE VEHICLE ATTACHMENT:

1. Place push tube under the ATV and insert into the left and right channels of the assembled ATV universal mount (item #21). Fasten the push tube to the mount with supplied clevis pins (item #28) and hair pins (item #30). (See illustrations 5-8 and 5-9).





One Year Limited Warranty

For the period of one (1) year from the purchase date, Kolpin will replace for the original purchaser, free of charge, any part or parts found upon examination by Kolpin to be defective in material, workmanship, or both.

All transportation costs incurred submitting product to Kolpin for warranty consideration must be borne by the purchaser. If Kolpin determines that the product must be returned to the factory for credit, please call 1-877-956-5746 for a Return Merchandise Authorization (RMA) number and shipping instructions.

This warranty does not apply to parts that have been damaged by accident, alteration, abuse, improper maintenance, normal wear, or other causes beyond the manufacturer's control. In order to protect you and your ATV, certain parts of the plow system and/or hardware are designed to fail when the equipment is over-stressed. Parts that are lost due to loosening and improper maintenance are not covered under warranty. This warranty does not cover removal or reinstallation labor fees of the plow system and related components.

Peripheral products such as engines, electric motors, and actuators may carry an original manufacturer's warranty. Most hardware is general in nature and is easily obtained locally. Be sure to replace with minimum metric class 8.8 specification.

Kolpin Outdoors, Inc.

Telephone: (763)-478-5800

Toll Free: (877)-956-5746

Fax Number: (800)-245-7569

www.kolpin.com

Email: customerservice@kolpin.com