



UTV HIGH RISE PLOW PUSH FRAME KIT

P/N 34-0000

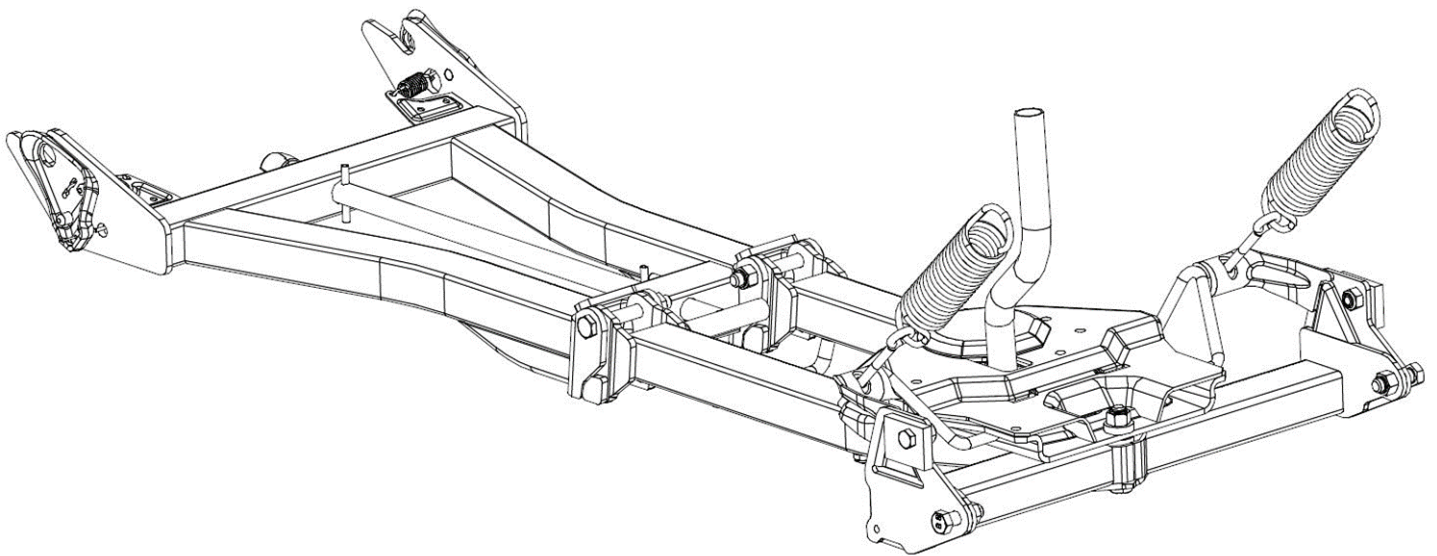
OWNER'S MANUAL

Application

MID-BODY UTV MOUNT NO. 34-XXXX, ALL MOUNT NO. 34-0050

ATTENTION DEALER: CUSTOMER MUST RECEIVE A COPY OF THIS MANUAL AT THE TIME OF SALE.

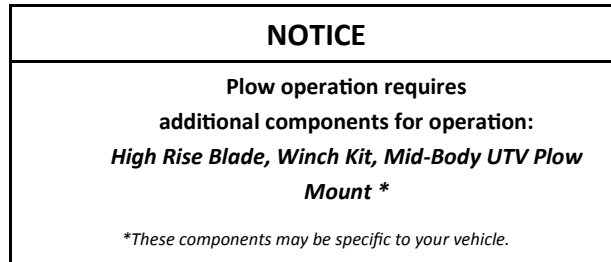
Before you begin, please read these instructions and check to be sure all parts and tools are accounted for. These instructions will help you to become familiar with operation of the plow push frame. Instructions contain details required to install, service the contents of this kit, for adjustment and maintenance.



INTRODUCTION

Congratulations! You've just purchased one of the industry's top plow system component. The Kolpin UTV High Rise Plow Push Frame works great for all types of plowing. With proper care and maintenance, your plow push frame will last for many years!

The blade pivot design allows the operator to select multiple angled left-or-right positions, and also incorporates a spring-loaded 'trip' system that allows the blade to handle impacts with small obstructions. The double-pivot system allows the plow blade to be raised higher than conventional mid-body plow frames, thus increasing ground clearance 'terrain-ability'. The quick attach system allows the push frame to be easily installed and removed from the front of the vehicle without removing any pins. Additionally, this plow frame will handle light to medium-duty summer landscape work.



Please read and understand all adjustment/maintenance instructions, notices and warnings before assembling and operating your plow system.

Follow these guidelines to ensure satisfactory operation:

- Read this manual and your UTV operators manual before use.
- Periodically check for wear and tightness of all fasteners. Replace or re-torque fasteners as necessary.
- Before first use, set plow in the furthest right or left angled position to check for clearance between the plow and front tires.
- Operate with extreme caution on slopes and rough terrain. Be familiar with the area before you plow.
- Be aware of immovable objects that could be hidden in the area you are plowing.
- To avoid damage when pushing snow into a pile, reverse direction before raising the plow blade.
- Do not ram the plow blade into piles of snow. ****Slow down before hitting a pile.****
- For best results, set the suspension preload of your UTV to the stiffest setting.
- To reduce steering effort and increase mobility, set the air pressure of your tires to the maximum pressure specification.
- The plow skids are adjustable. General skid setting is even with the plow wear bar bottom edge, higher settings reduce the chance of rocks and gravel from being collected.
- To increase traction during plow operation, operators can try: Securing weight to the UTV for additional tire downforce, reducing tire air pressure, or installing tire chains.
- The plow blade assembly is designed to 'trip' when it strikes an object or digs in too far. When pressure is released, the plow springs back into position. *Spring tension can be increased by tightening the locknuts on the bottom of the eyebolts. For less spring tension, loosen the locknuts.*
- Always wear appropriate protective clothing as recommended in UTV's operator's manual.
- Keep away from blade and moving parts during operation.
- Keep these instructions for future reference.
- All directions referring to right and left are when the rider is sitting on the machine.
- Your Kolpin accessory is exclusively designed for your vehicle.

SAFETY INFORMATION

Our plow systems were designed with your safety in mind. Please read and understand all Cautions, Notices and Warnings in this manual before you begin. In order to protect you and your UTV, certain parts of the plow system and/or hardware are designed to fail when the equipment is over-stressed.



DANGER



TO AVOID SERIOUS INJURY OR DEATH:

1. DO NOT EXCEED 5 MPH (8 KM/H) WITH THE BLADE INSTALLED.
2. OPERATE WITH EXTREME CAUTION ON SLOPES, STEEP GRADES, AND ROUGH TERRAIN.
3. ALLOW NO RIDERS ON BLADE OR ATV WHILE MOVING OR STATIONARY.
4. KEEP BYSTANDERS AWAY FROM THE BLADE OR ATV / UTV WHILE MOVING OR STATIONARY.
5. WHEN PUSHING HEAVY MATERIAL, DIRECTION CONTROL MAY BECOME DIFFICULT.
6. BEFORE ADJUSTING BLADE: STOP ATV ENGINE; SET AND LOCK BRAKES; RAISE AND LOCK BLADE IN UP POSITION. DO NOT ATTEMPT TO RAISE BLADE BY HAND; USE THE LIFT MECHANISM ONLY.
7. LOWER BLADE TO DOWN POSITION WHEN BLADE AND ATV / UTV ARE NOT IN USE.
8. READ PUSH FRAME'S INSTRUCTION SHEETS AND ATV OWNER MANUAL.

BEFORE YOU BEGIN:

- Your Kolpin accessory is exclusively designed for your vehicle.
- Please read and understand all instructions.
- Verify all parts and tools are accounted for.
- To ensure a satisfactory installation, follow all steps correctly and in the sequence described.
- Keep these instructions for future reference or for informational requests.
- To facilitate installation, make sure that your vehicle is clean and free of debris.
- All directions referring to right and left are when the rider is sitting on the machine

TOOLS REQUIRED:

- 10mm wrench
- 13mm wrench and 13mm socket
- 17mm wrench and 17mm socket
- 19mm wrench and 19mm socket
- Long nose pliers or spring puller or shoestring sized rope

APPROXIMATE ASSEMBLY TIME: 15 minutes

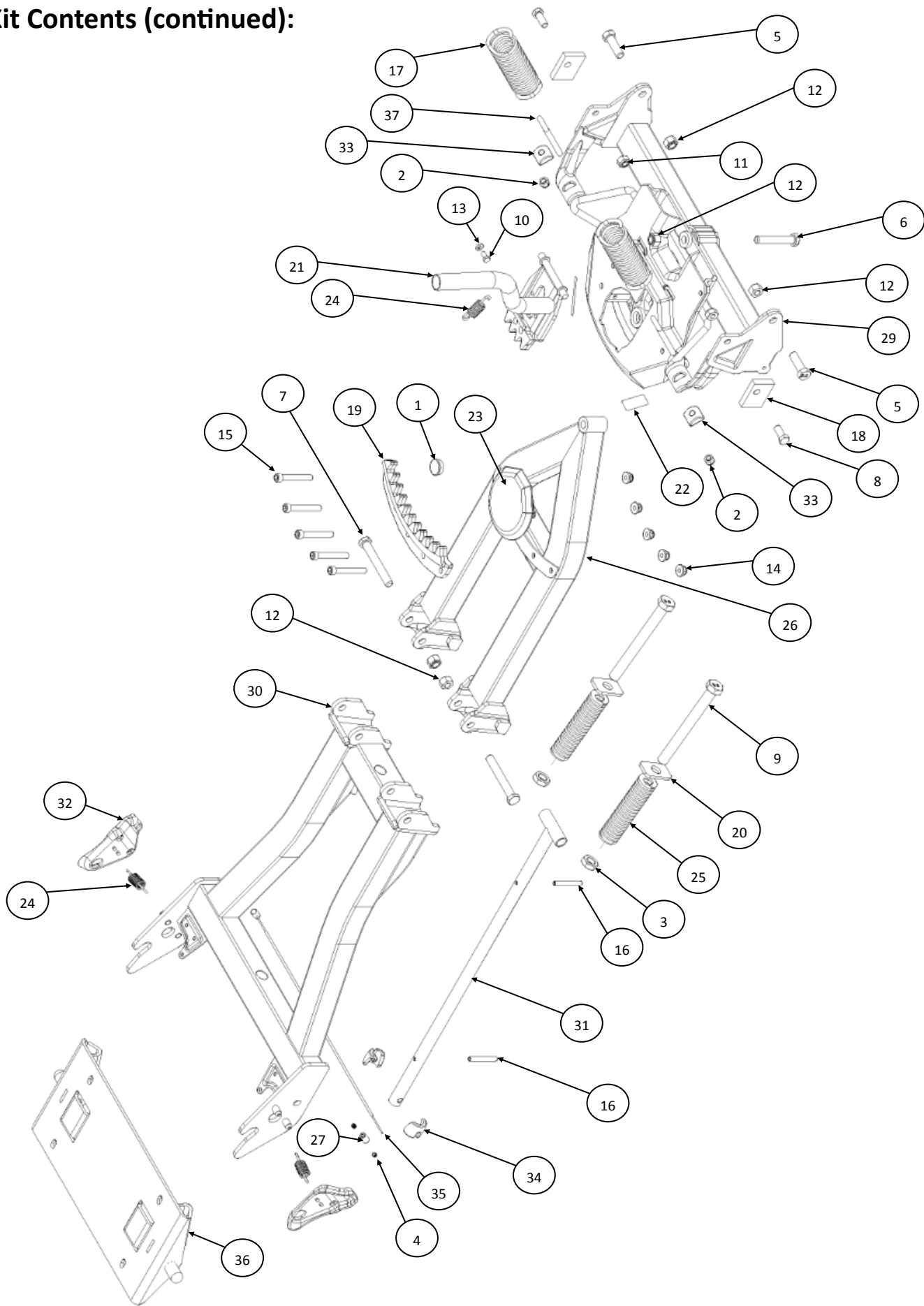
Note: The Kolpin Plow Push Frame kit comes mostly assembled from factory. Some assembly is required.

RE-TORQUE ALL BOLTS AND NUTS AFTER THE FIRST 30 MINUTES OF USE.

Kit Contents:

Item	Qty	Part Description	Part Number
1	1	Black plastic Cap for 1" OD x 0.065" wall tubing	-
2	2	Hex Nylon Nut, Zinc Plated, M8-1.25	-
3	2	Hex Jam Nut, Zinc Plated, M16-2.0	-
4	2	Hex Socket Set Screw, Zinc Plated, M6-1.0 x 6mm	-
5	2	Hex Bolt, Zinc Plated, M12-1.75 x 40mm	-
6	1	Hex Bolt, Zinc Plated, M12-1.75 x 70mm	-
7	2	Hex Bolt, Zinc Plated, M12-1.75 x 90mm	-
8	2	Hex Bolt, Zinc Plated, M10-1.5 x 25mm	-
9	2	Hex Bolt, Zinc Plated, M16-2.0 x 160mm	-
10	1	Hex Bolt, Zinc Plated, M6-1.0 x 12mm	-
11	2	Hex Nylon Nut, Zinc Plated, M10-1.5	-
12	5	Hex Nylon Nut, Zinc Plated, M12-1.75	-
13	1	Lock Washer, Zinc Plated, M6	-
14	5	Hex Nylon Flange Nut, Zinc Plated, M8-1.25	-
15	5	Socket Head Cap Screw, Zinc Plated, M8-1.25 x 60mm	-
16	2	Spring Pin, Ø0.25 x 2.0	-
17	2	Trip Spring	PUR1409
18	2	Stopper Plate	-
19	1	Gear Lock Assembly	-
20	2	Spring Washer	-
21	1	Lock Assembly	-
22	2	Kolpin Decal	-
23	1	Cover Cap	33-0560
24	3	Tension Spring	-
25	2	Double Pivot Spring	-
26	1	Front Push Frame Welded Assembly	-
27	1	Pivot Locking Sleeve	-
28	1	High Rise Decal (not shown)	-
29	1	Pivot Assembly	-
30	1	Rear Push Frame Welded Assembly	-
31	1	Latching Handle	-
32	2	Locking Plate	-
33	2	Half Moon Pivot Sleeve	-
34	2	Plastic Cable Guide	-
35	1	Latching Cable	-
36	1	Mount Plate Quick Attach UTV	-
37	2	Eye Bolt, Zinc Plated, Full Thread, M8-1.25 x Ø13 ID x 80mm	-
38	1	Instruction Guide (not shown)	-

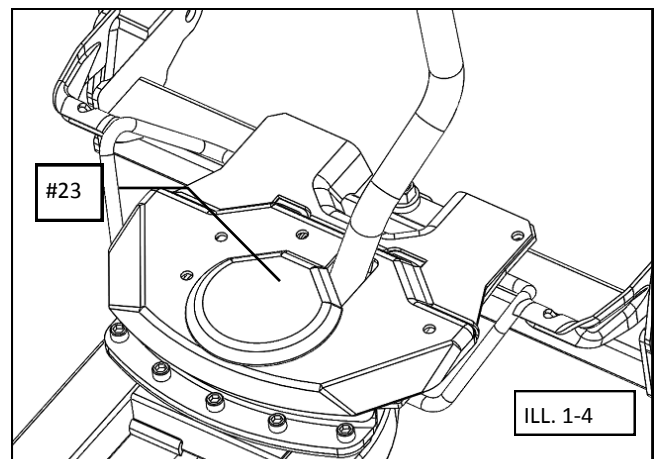
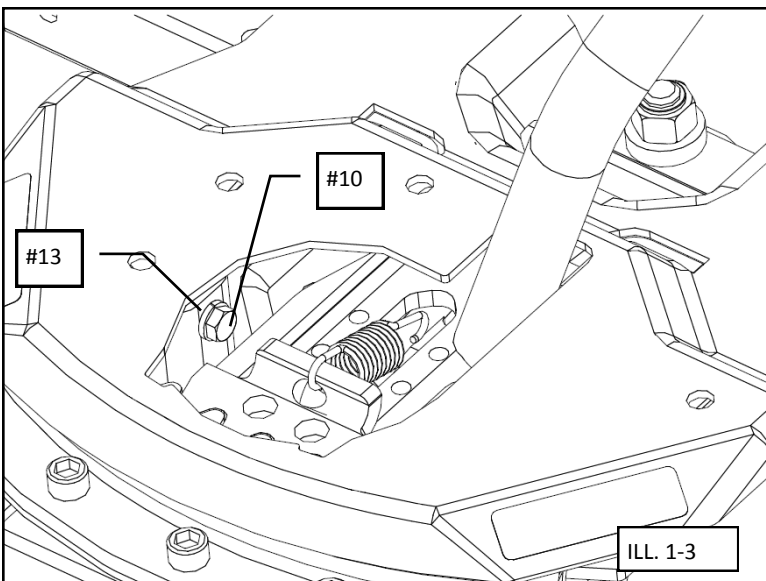
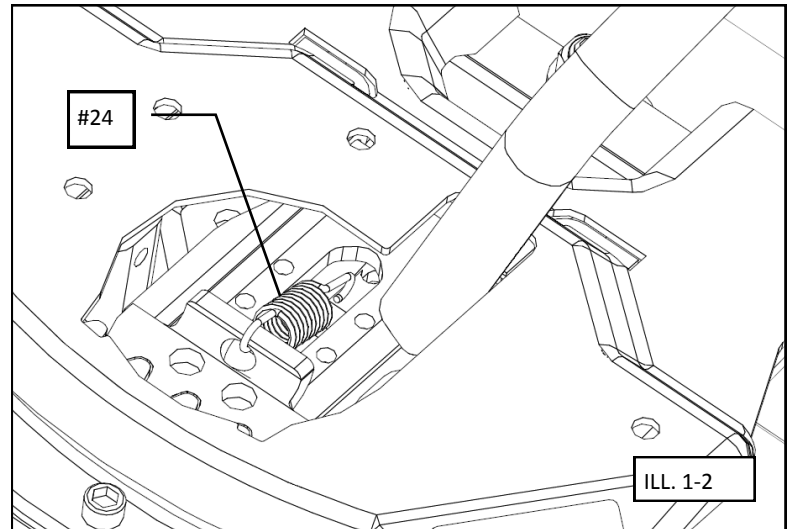
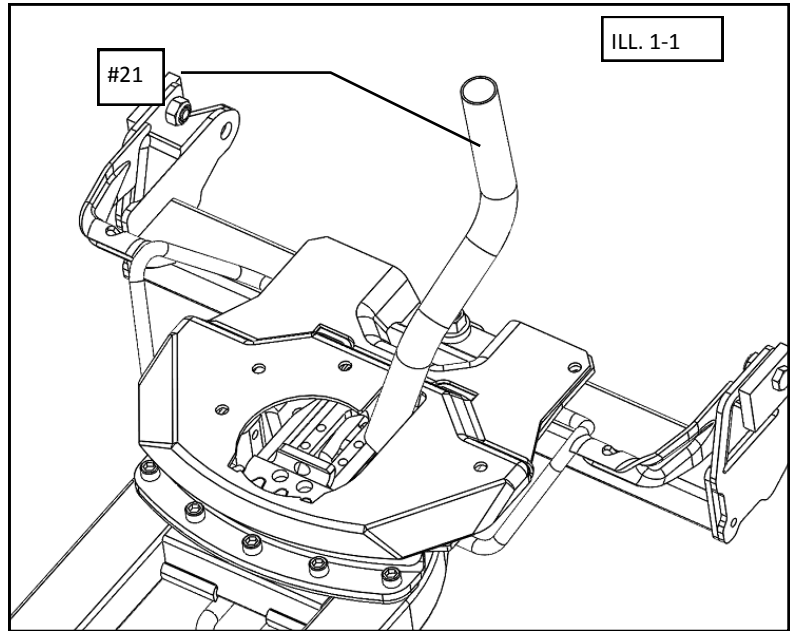
Kit Contents (continued):



ASSEMBLY INSTRUCTIONS:

LOCK HANDLE INSTALLATION:

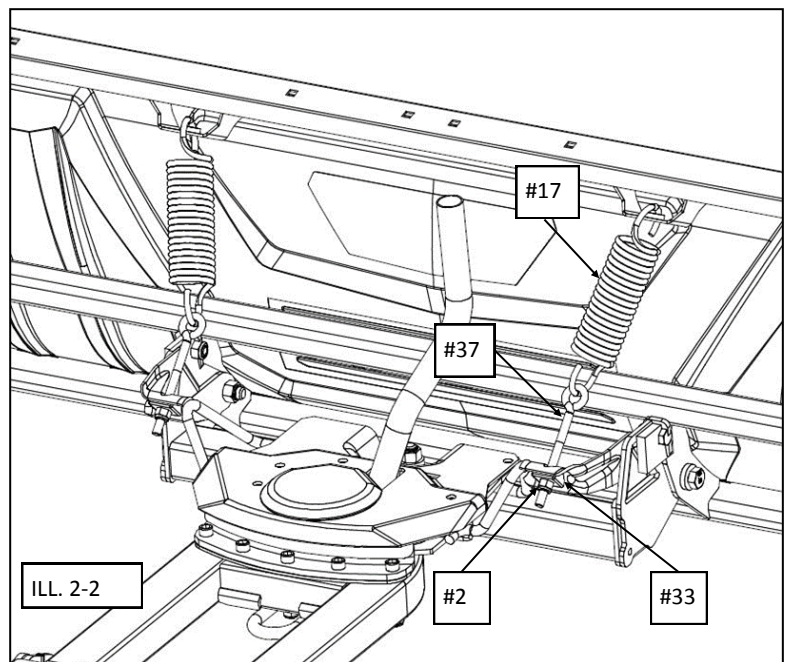
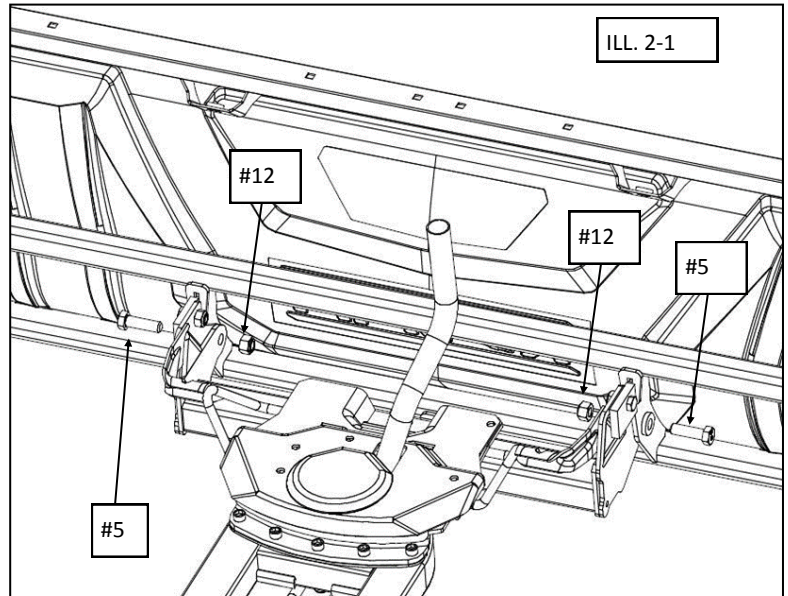
1. Position the handle assembly, item #21, into the pivot frame assembly. Lock handle assembly into place as shown in picture. (See illustration 1-1)
2. Attach the tension spring, item #24, into the holes in the handle assembly and pivot frame assembly as shown in picture. Using a rope or a spring puller to pull on the higher side allows for easy installation of spring. (See illustration 1-2)
3. Install M6 hex bolt, item #10, and M6 lock washer, item #13, in the side plate hole as shown in picture. (See illustration 1-3)
Note, do not overtighten.
4. Secure the plastic cover cap, item #23, into place as shown in picture. (See illustration 1-4)



ASSEMBLY INSTRUCTIONS (continued):

PUSH FRAME INSTALLATION ONTO BLADE ASSEMBLY:

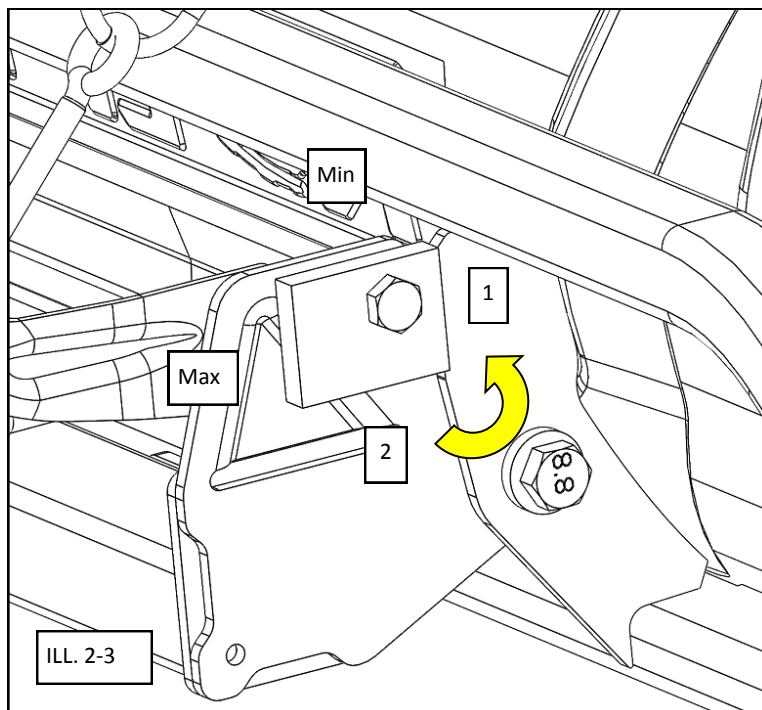
1. Attach the assembled push frame to the blade. Insert M12 hex bolts, item #5, thru and thru holes in the blade and push frame. Fasten the push frame to the blade using M12 hex nuts, item #12. Tighten nut, then back out 1/8 - 1/4 turn to allow blade to hinge freely. (See illustration 2-1) *Note, bolt should be tight enough to not move, but the blade must rotate freely.*
2. Assemble blade trip springs, item #17, and eyebolts, item #37, between the blade assembly and the pivot spring tab brackets. Fasten eyebolts to frame tab with half moon pivot sleeve, item #33, and M8 hex nylon nuts, item #2, onto the eyebolts until 2-3 threads show thru the locking feature. (See illustration 2-2)




ASSEMBLY INSTRUCTIONS (continued):

PUSH FRAME INSTALLATION ONTO BLADE ASSEMBLY (continued):

3. Once plow system is mounted to the UTV, adjust the blade stops and blade trip spring tension as desired to achieve best performance. (See illustration 2-3)
4. Tighten the blade stopper plate fasteners to specification.



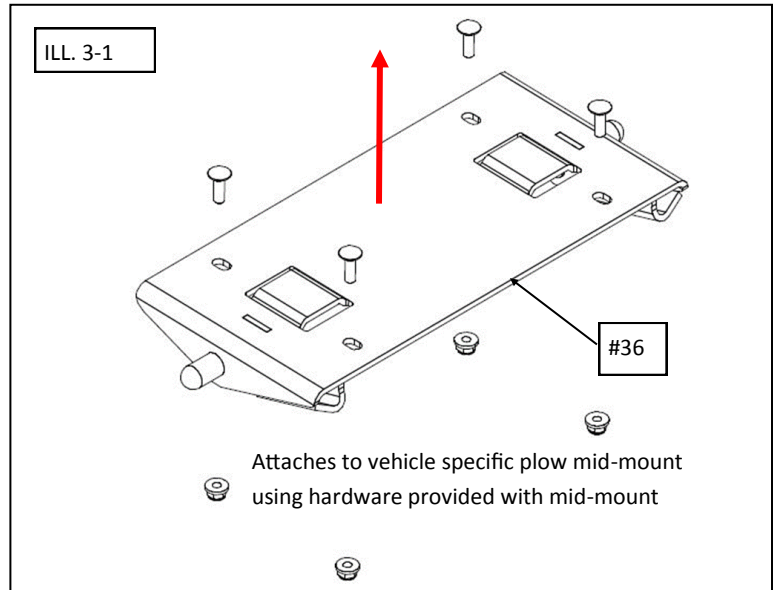
BLADE STOPPER ADJUSTMENT

 = T
10MM FASTENER TORQUE: 34 ft-lbs. (46 N-m)

ASSEMBLY INSTRUCTIONS (continued):

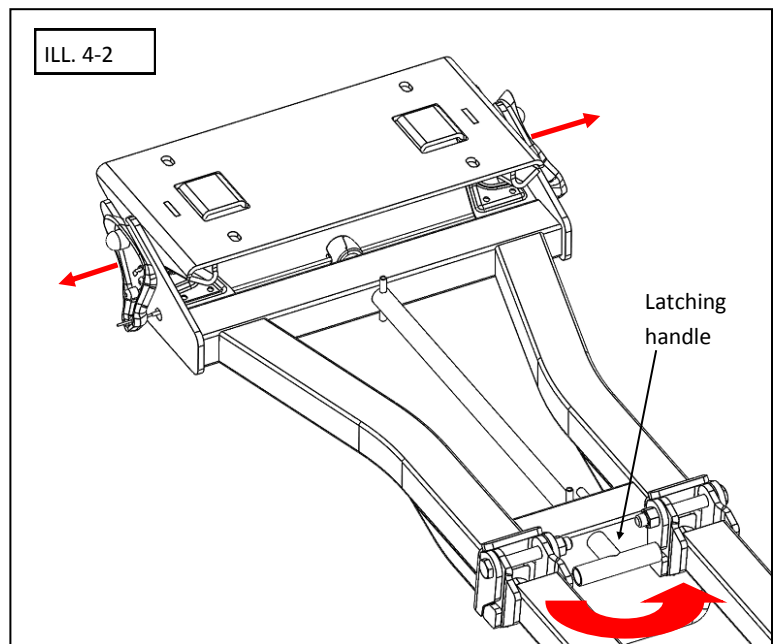
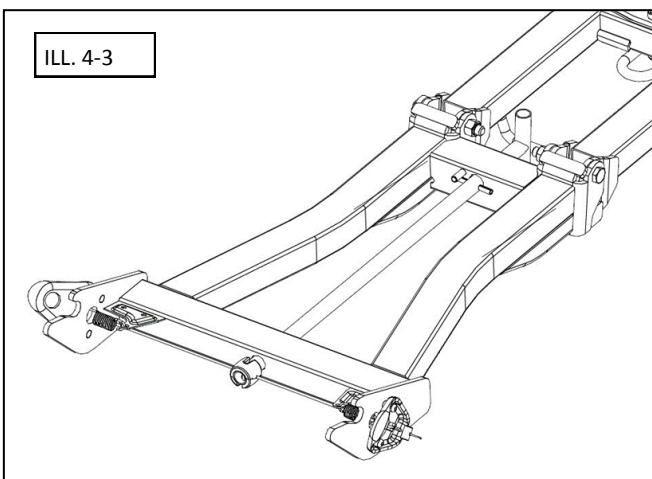
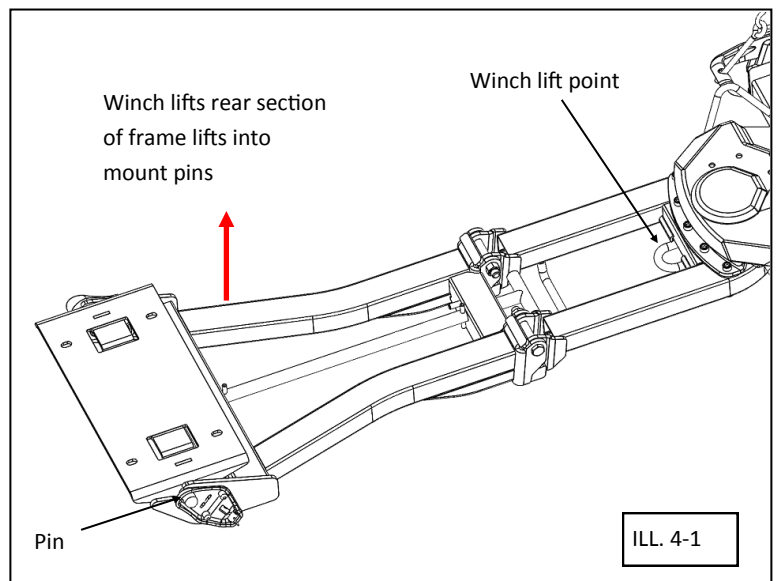
UTV MOUNT PLATE INSTALLATION ONTO VEHICLE:

1. Install the universal quick attach mount plate, item #36, onto the vehicle specific plow mid-mount (not included in kit). Fasten using the hardware provided in the vehicle specific plow mid-mount kit, as shown. (See illustration 3-1)



PUSH FRAME ASSEMBLY ATTACHMENT TO UTV MOUNT PLATE ON VEHICLE:

1. To install push frame to mount plate, place winch hook onto lift point ring, as shown. Reel winch rope 'in' to lift rear section of push frame to latch onto pins. (See illustration 4-1)
2. To un-install push frame from mount plate, turn latching handle to release locking plates off pins, as shown. Detach winch hook and push frame can be pulled away from vehicle. (See illustrations 4-2 and 4-3)

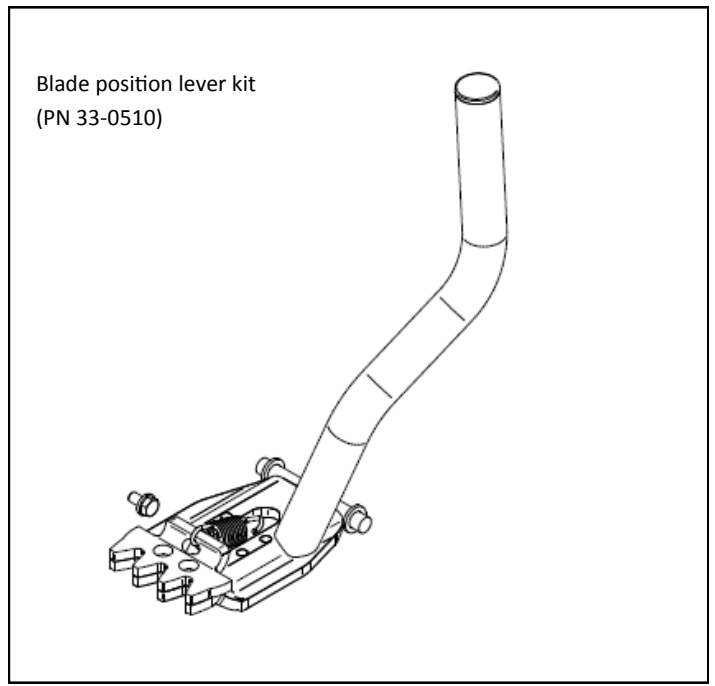
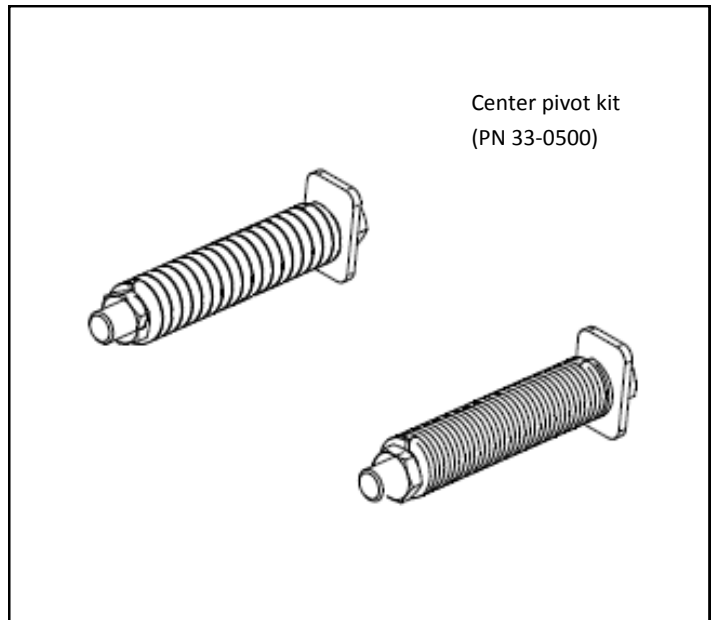
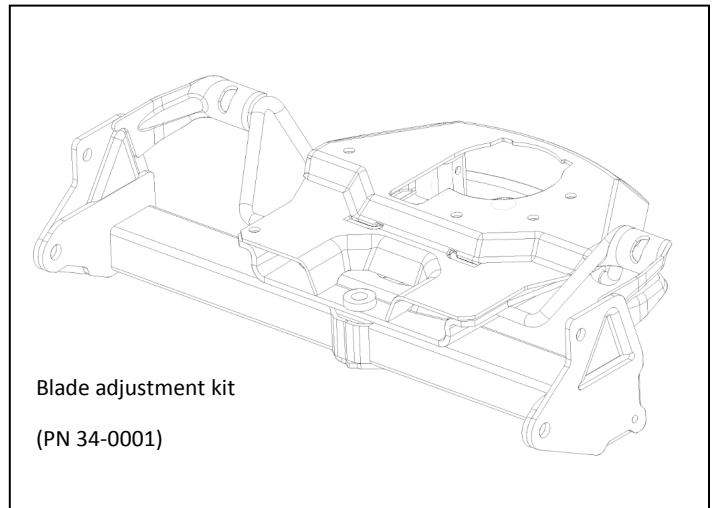
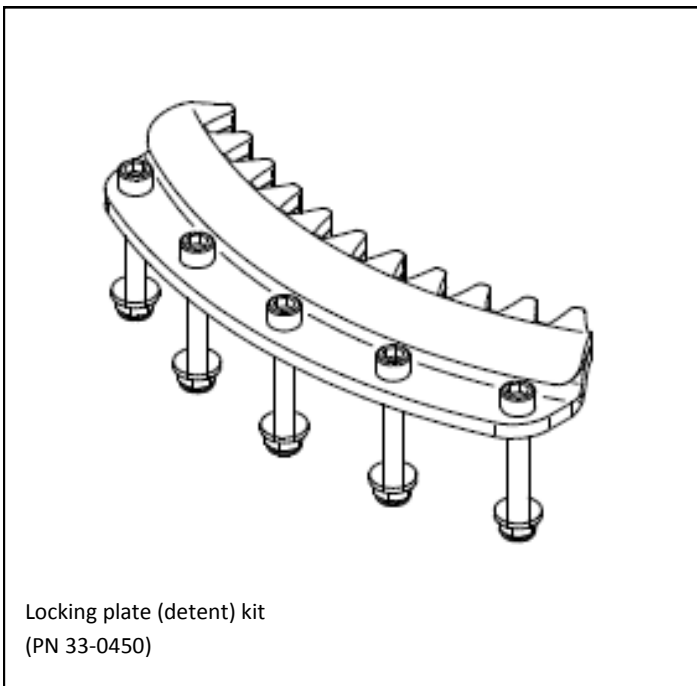
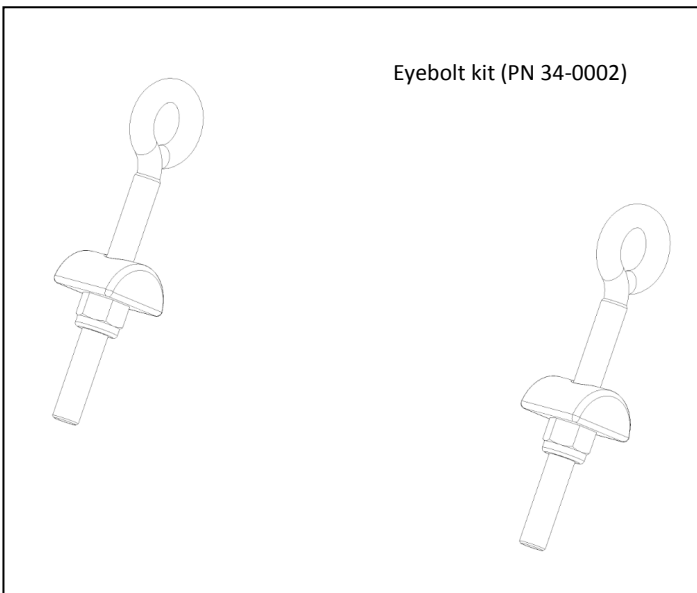
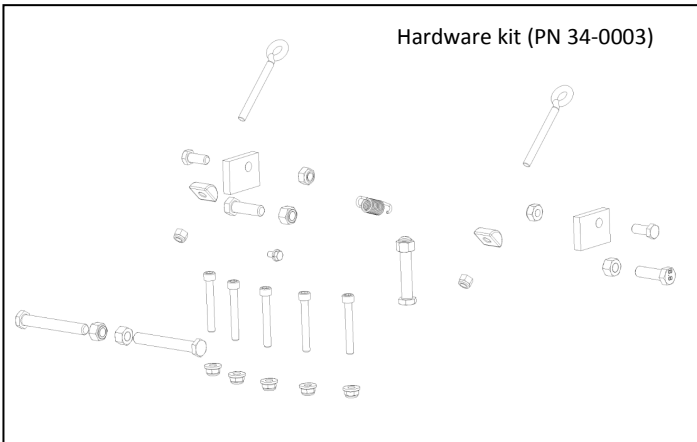


SPARE KITS

Item	Description	Hardware kit P/N	Eyebolt kit P/N	Locking Plate (Detent) kit P/N	Blade adjustment kit P/N	Center Pivot kit P/N	Blade position lever kit P/N	Quick attach cable kit P/N	Quick attach service kit P/N
1	Black plastic Cap for 1" OD x 0.065" wall tubing						33-0510	P/N 34-0004	P/N 34-0005
2	Hex Nylon Nut, Zinc Plated, M8-1.25	2x	2x				1x		
3	Hex Jam Nut, Zinc Plated, M16-2.0					2x			
4	Hex Socket Set Screw, Zinc Plated, M6-1.0 x 6mm							2x	2x
5	Hex Bolt, Zinc Plated, M12-1.75 x 40mm	2x							
6	Hex Bolt, Zinc Plated, M12-1.75 x 70mm	1x							
7	Hex Bolt, Zinc Plated, M12-1.75 x 90mm	2x							
8	Hex Bolt, Zinc Plated, M10-1.5 x 25mm	2x							
9	Hex Bolt, Zinc Plated, M16-2.0 x 160mm					2x			
10	Hex Bolt, Zinc Plated, M6-1.0 x 12mm	1x					1x		
11	Hex Nylon Nut, Zinc Plated, M10-1.5	2x							
12	Hex Nylon Nut, Zinc Plated, M12-1.75	5x							
13	Lock Washer, Zinc Plated, M6	1x					1x		
14	Hex Nylon Flange Nut, Zinc Plated, M8-1.25	5x		5x					
15	Socket Head Cap Screw, Zinc Plated, M8-1.25 x 60mm	5x		5x					
16	Spring Pin, Ø0.25 x 2.0								2x
18	Stopper Plate	2x							
19	Gear Lock Assembly			1x					
20	Spring Washer					2x			
21	Lock Assembly						1x		
24	Tension Spring	1x					1x	2x	2x
25	Double Pivot Spring					2x			
27	Pivot Locking Sleeve							1x	1x
29	Pivot Assembly				1x				
31	Latching Handle								1x
32	Locking Plate								2x
33	Half Moon Pivot Sleeve	2x	2x						
34	Plastic Cable Guide							2x	2x
35	Latching Cable							1x	1x
37	Eye Bolt, Zinc Plated, Full Thread, M8-1.25 x Ø13 ID x 80mm	2x	2x						

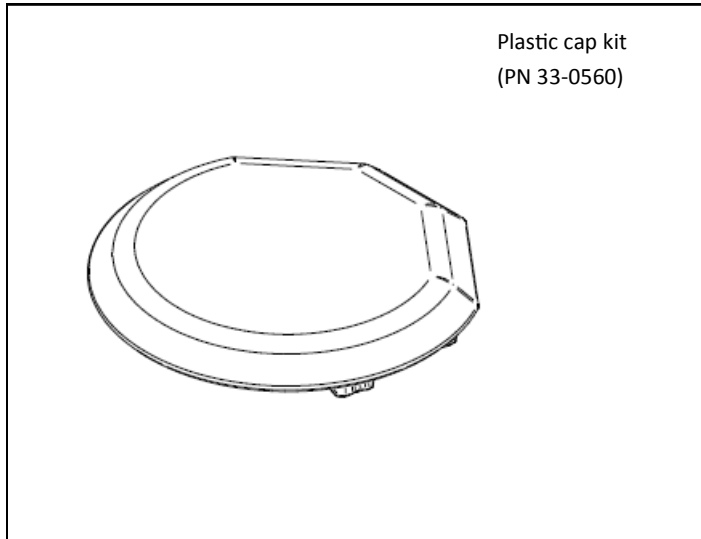
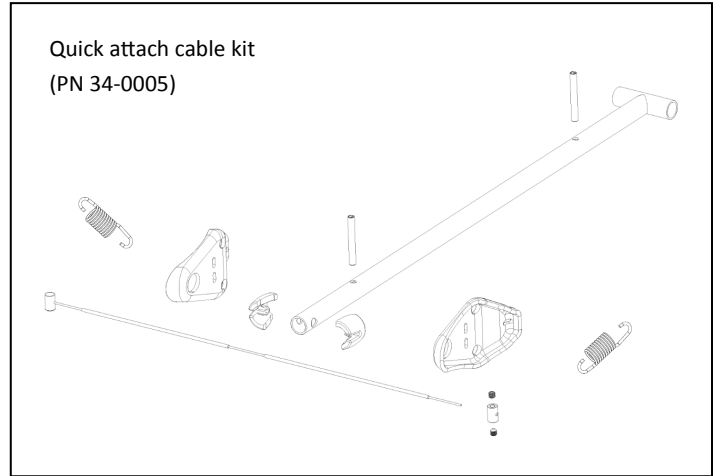
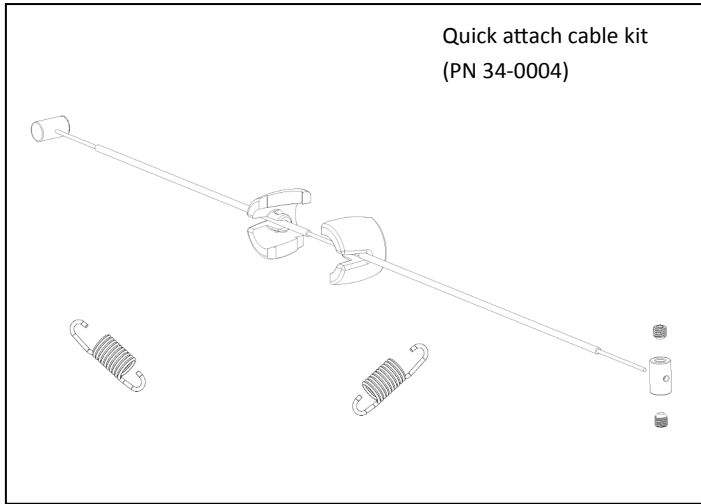
SPARE KITS:

See the table on page 10 for a full description.



SPARE KITS (continued):

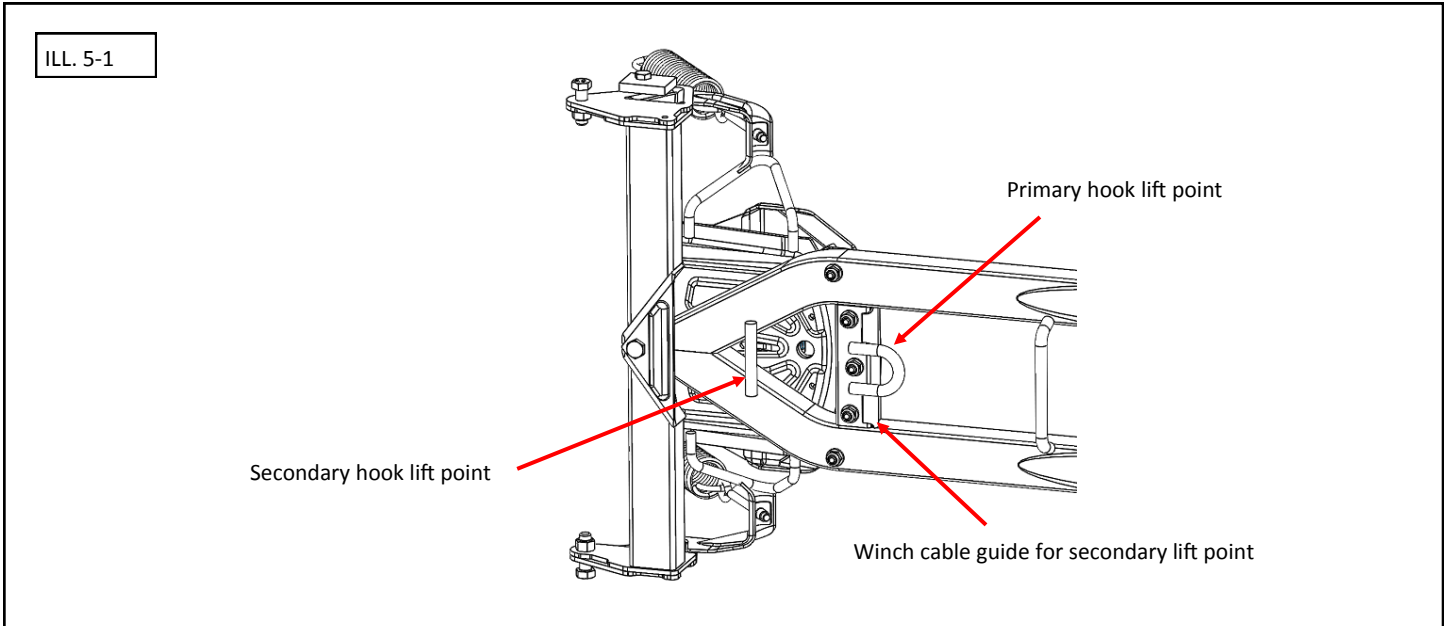
See the table on page 10 for a full description.



OPERATION:

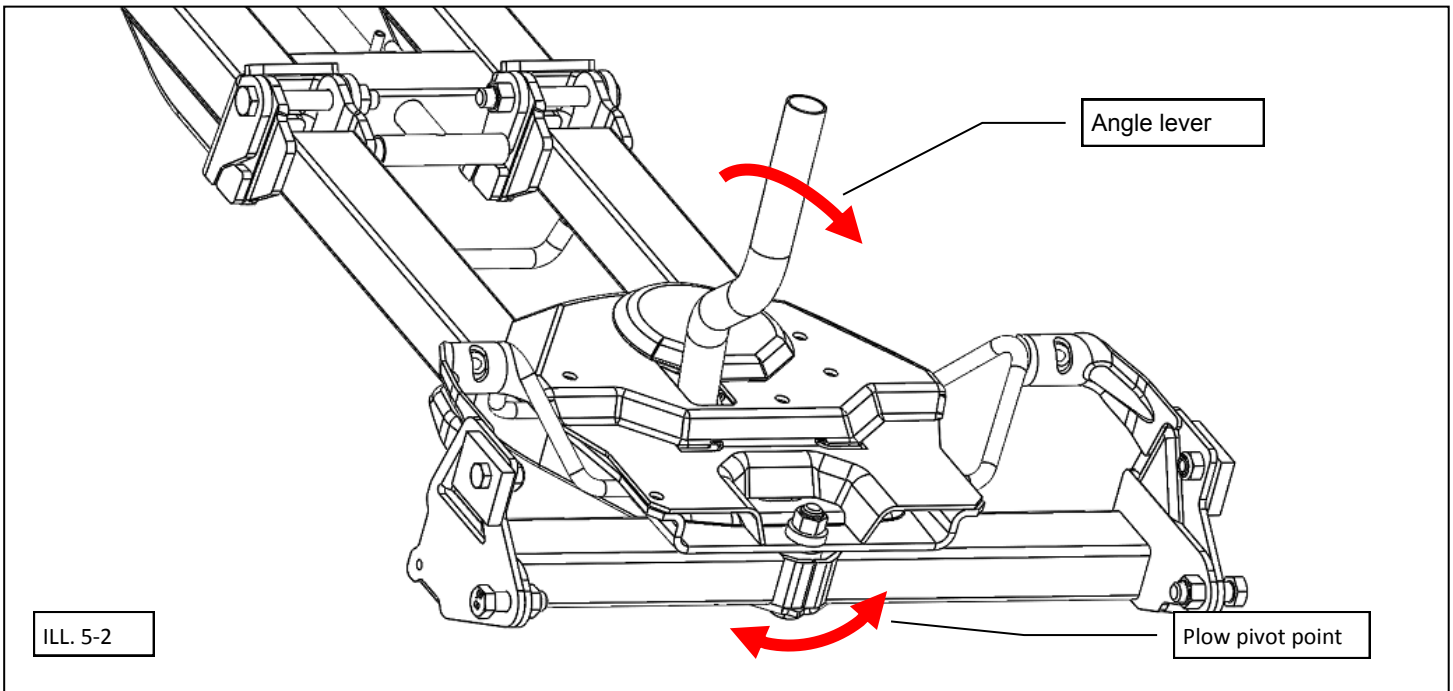
WINCH CABLE PUSH FRAME LIFT POINT:

1. The primary winch lift point for the High Rise push frame is the round hook loop as shown below. Depending on UTV, a secondary winch lift point may be better for winch cable routing. The secondary lift point is located on the underside of the push frame. The cable hook can be connected to the straight round bar. (See illustration 5-1)



PIVOTING BLADE ANGLE SIDE TO SIDE:

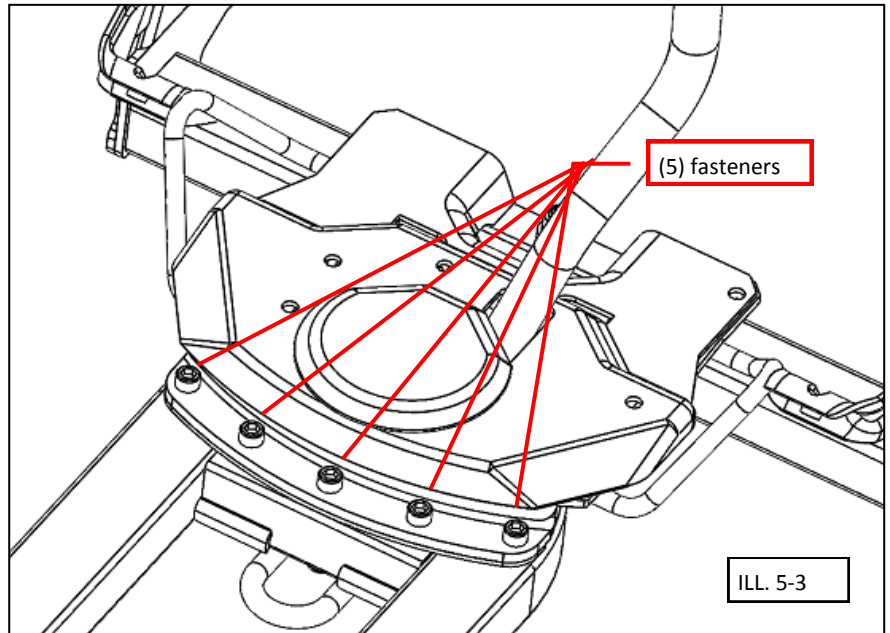
1. To adjust the angle of the plow blade so it pushes to the side, lift the plow up with the lift mechanism to clear the ground. Pull the pivot lock lever toward the blade and swivel the plow to desired angle. Release the pivot lever and the plow will lock itself in place at a predetermined angle on either side. (See illustration 5-2)



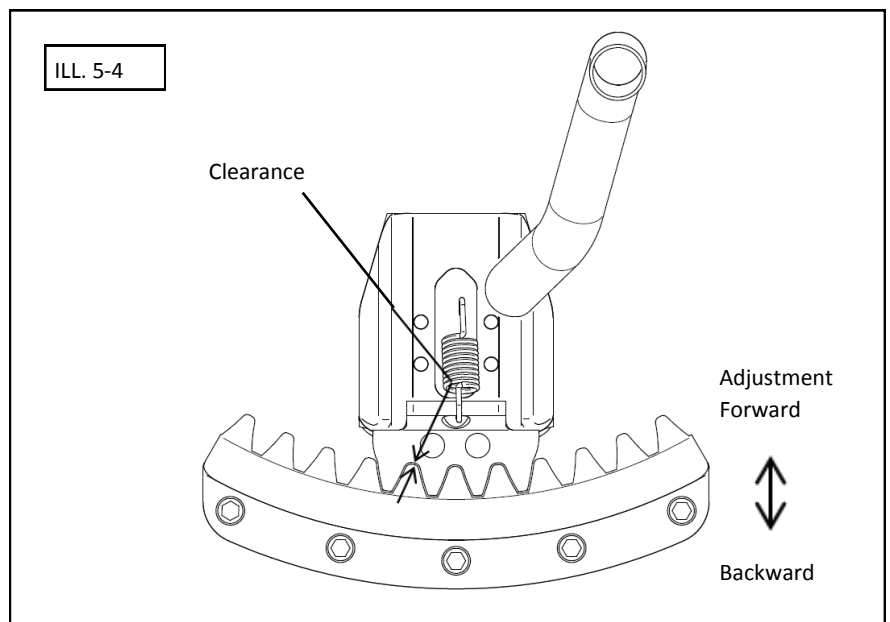
OPERATION (continued):

PIVOTING BLADE ANGLE SIDE TO SIDE (continued):

2. Be sure to frequently check that the (5) fasteners of the gear lock assembly are always tight to ensure good system function. (See illustration 5-3)



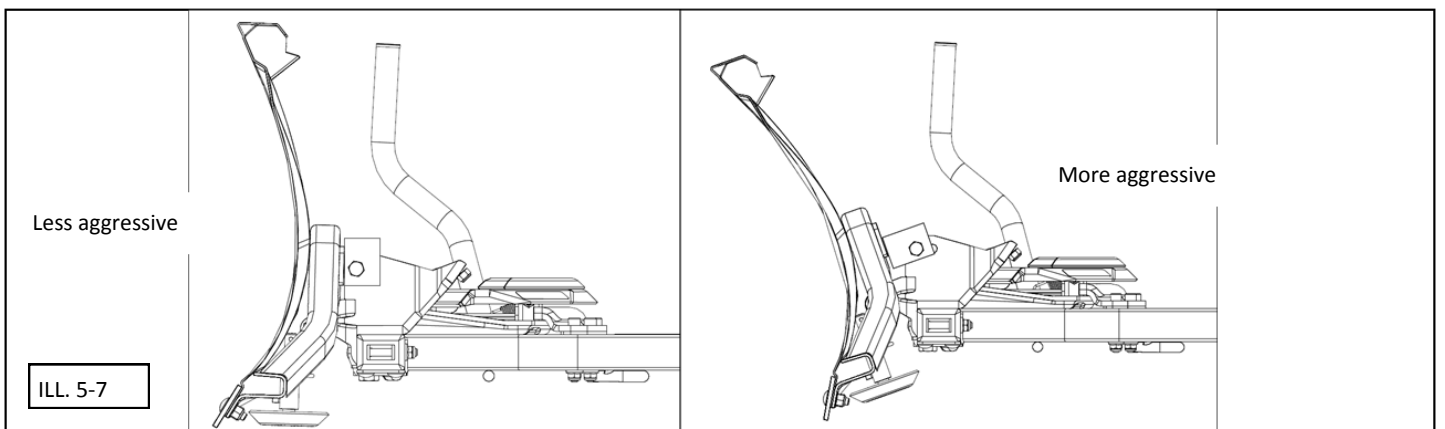
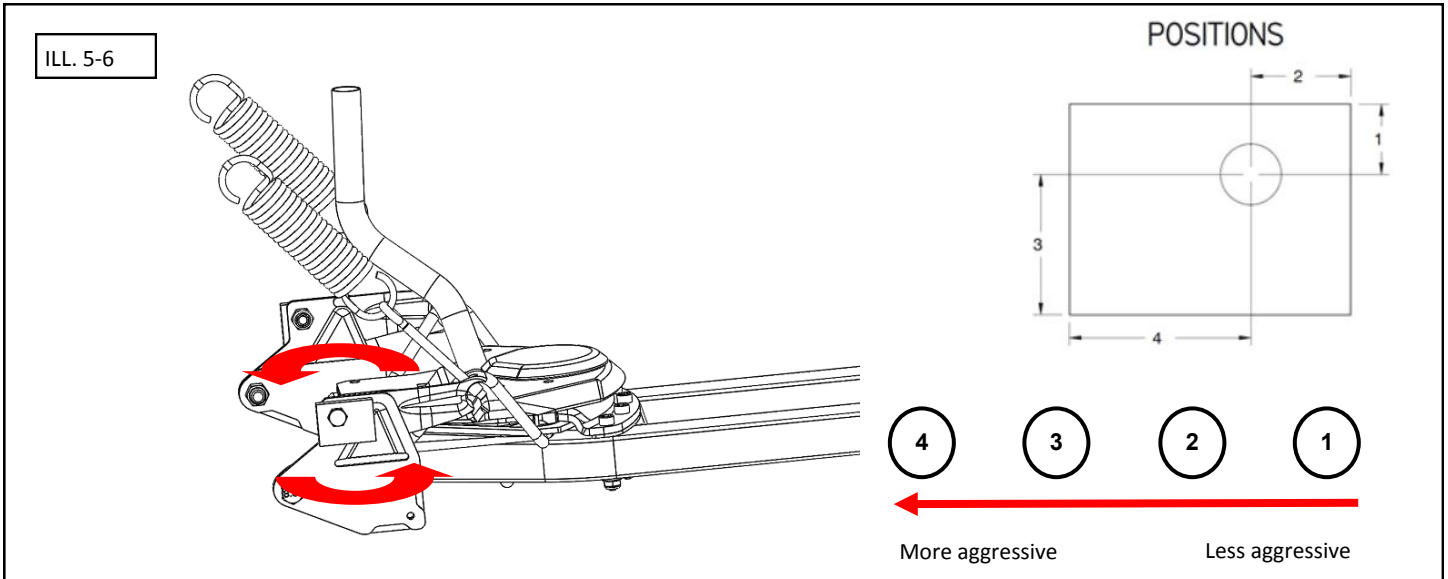
3. It is possible to adjust the clearance between the blade position lever and the blade position gear locking plate. Loosen the (5) bolts and move forward or backward the blade position gear locking plate. (See illustration 5-4)



OPERATION (continued):

SCRAPING ANGLE ADJUSTMENT:

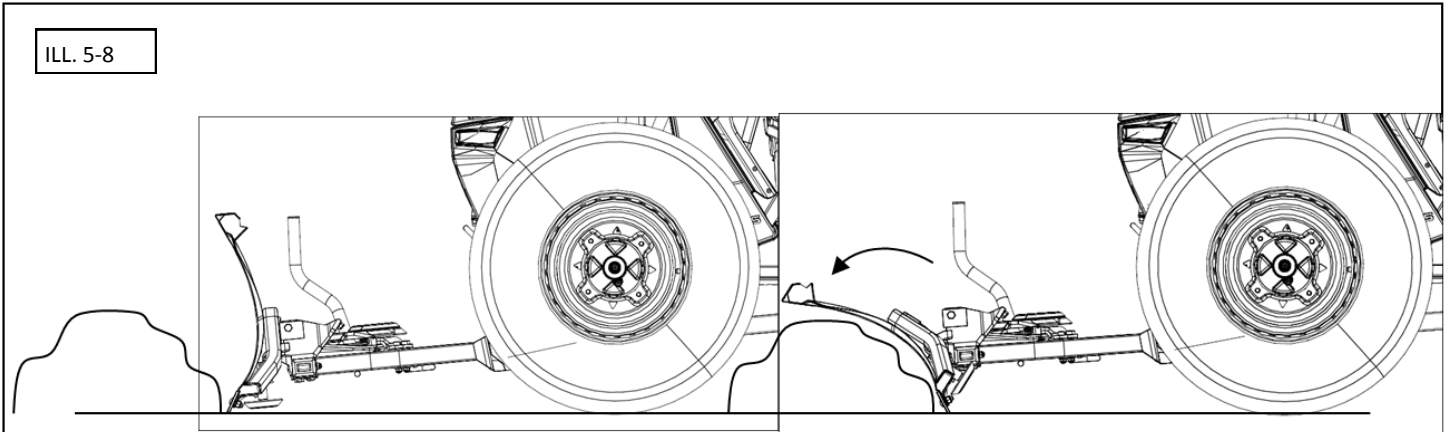
1. Turn adjustable plow stoppers to one of the four positions in order to make the plow more aggressive or less aggressive. Position 1 is the position with less material. (See illustrations 5-6 and 5-7)



OPERATION (continued):

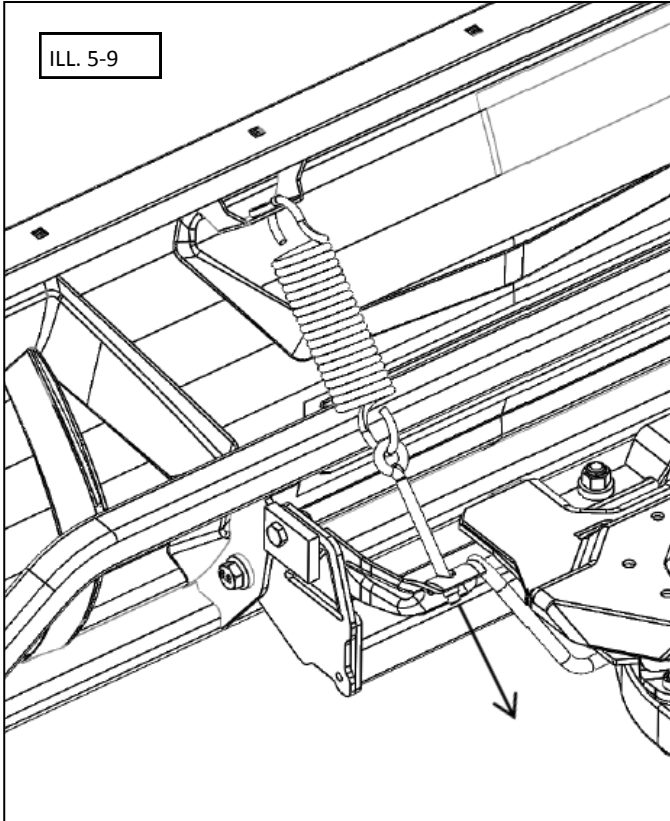
BLADE TRIP HINGE FUNCTION:

1. The plow is designed to trip forward when it hits a solid object. When the pressure on the plow is released, it will return to its original position by itself. (See illustration 5-8)



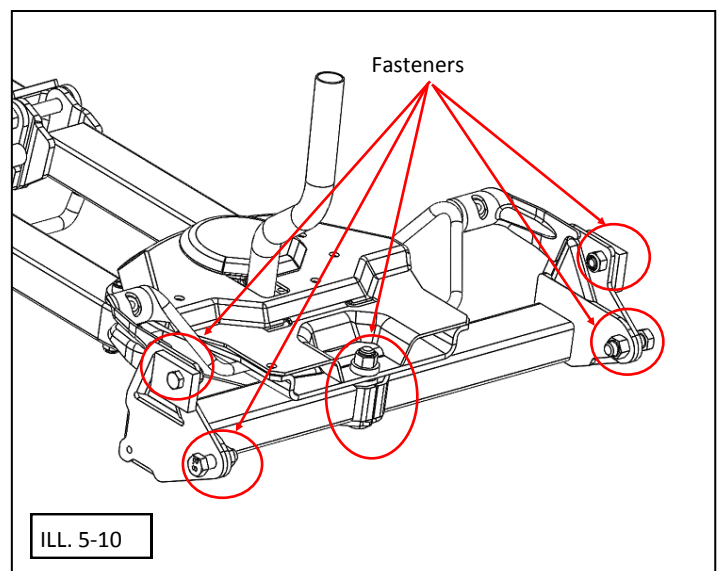
PLOW TRIPPING FORCE ADJUSTMENT:

1. The plow trip springs may be set stiffer by tightening the self-locking nuts located at the ends of the eye bolts. For less tension, loosen the nuts. (See illustration 5-9)



FASTENER TIGHTNESS:

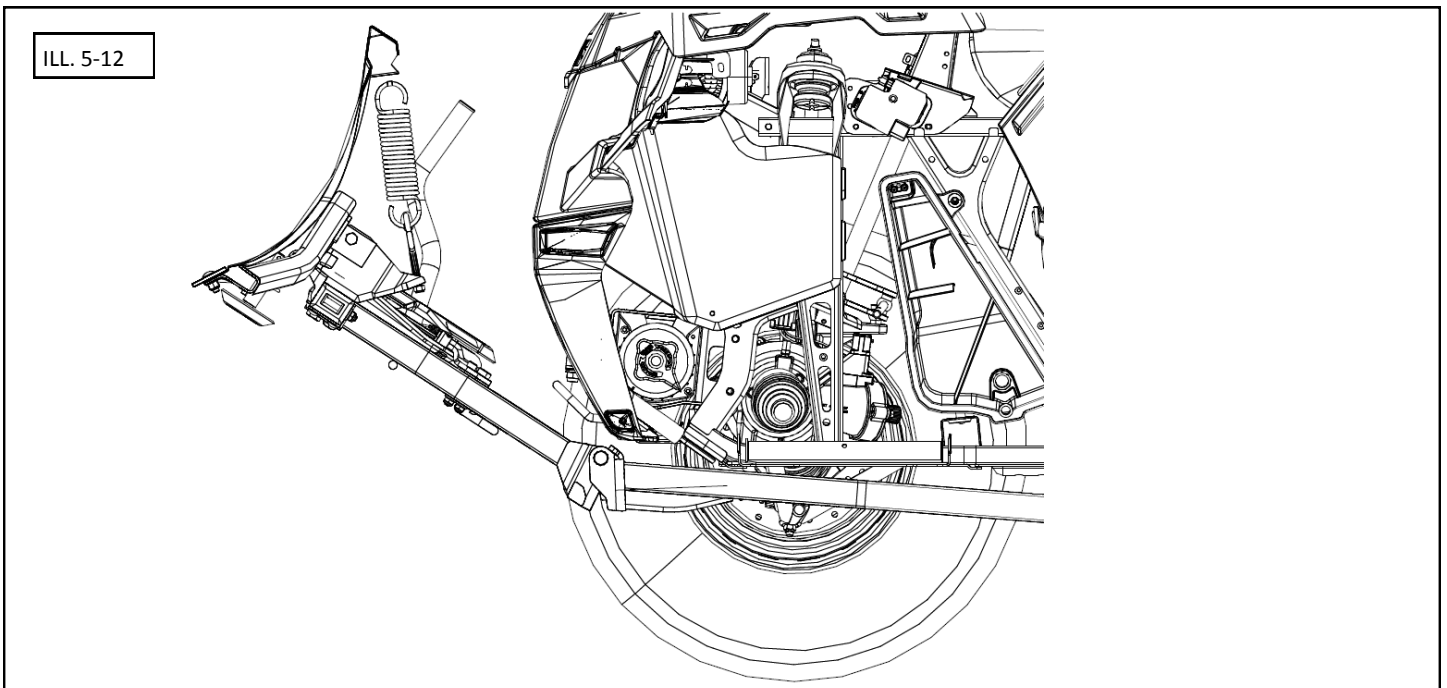
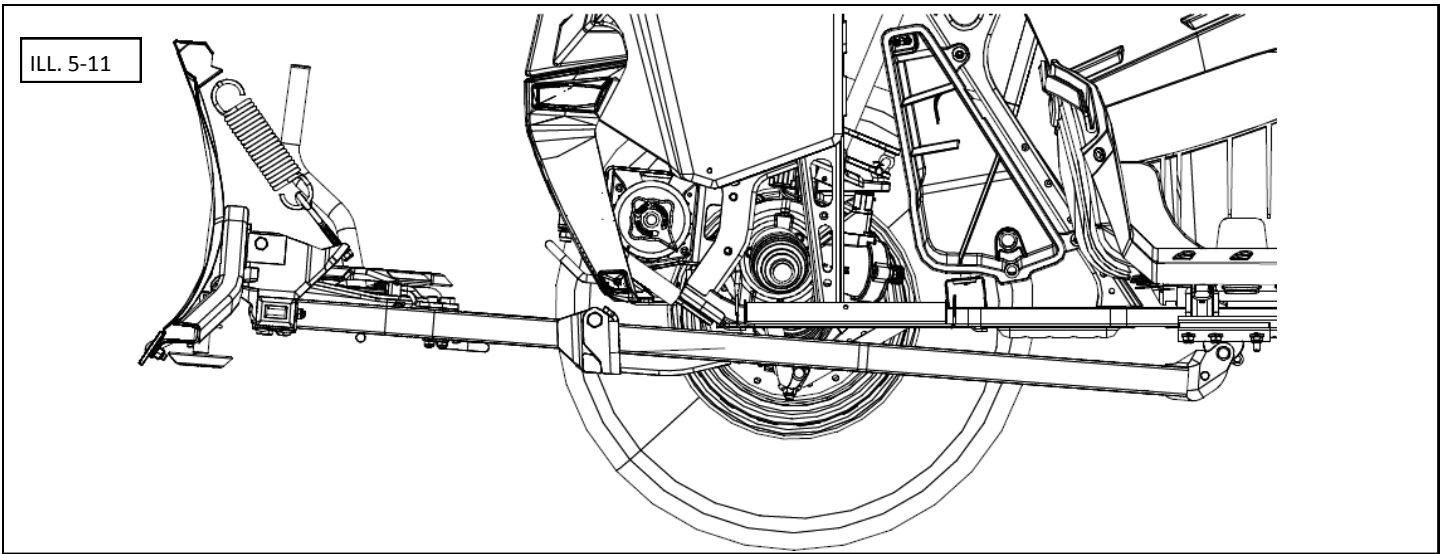
1. Be sure to frequently check that the (5) fasteners of the pivot frame assembly are always tight to ensure good system function. (See illustration 5-10)



OPERATION (continued):

BLADE LIFT:

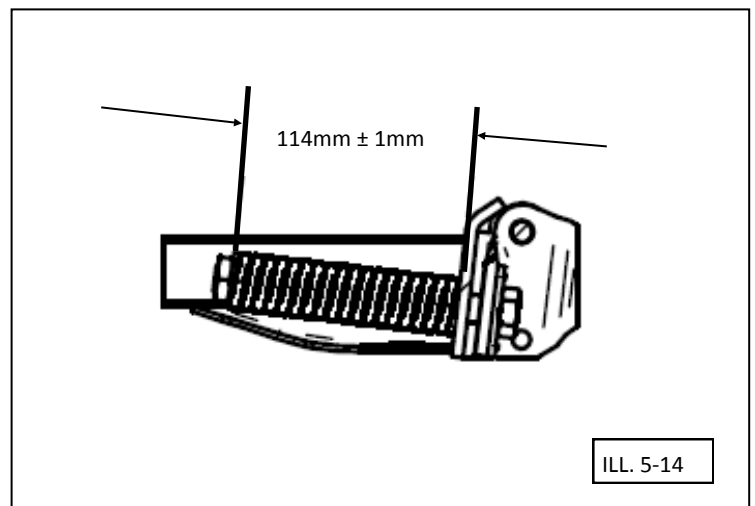
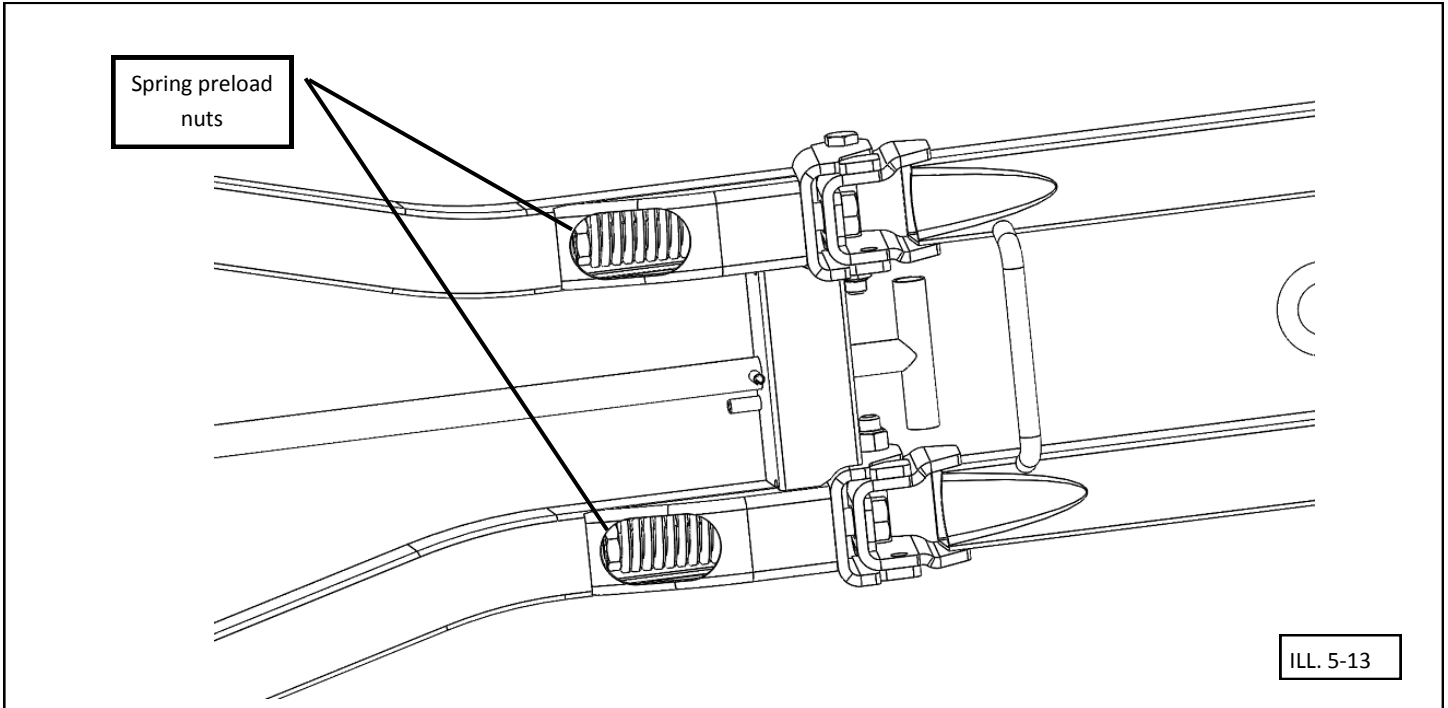
1. To reach plow blade maximum lift height, the double hinge pivot is designed to bend when the push frame comes in contact with the frame of the vehicle. (See illustrations 5-11 and 5-12)



OPERATION (continued):

DOUBLE HINGE LIFT ADJUSTMENT:

1. A heavy UTV might need more tension on the spring in order to push more snow. To have more tension on the double hinge pivot, tighten the self-locking nuts of the double hinge spring. Plow maximum lift height will be decreased by tightening the nuts. If a lower rated pulling capacity winch is used on a smaller UTV, it may be necessary to decrease the preload of the double hinge springs. (See illustration 5-13)
2. OEM spring length adjustment is 114mm. (See illustration 5-14)





One Year Limited Warranty

For the period of one (1) year from the purchase date, Kolpin will replace for the original purchaser, free of charge, any part or parts found upon examination by Kolpin to be defective in material, workmanship, or both.

All transportation costs incurred submitting product to Kolpin for warranty consideration must be borne by the purchaser. If Kolpin determines that the product must be returned to the factory for credit, please call 1-877-956-5746 for a Return Merchandise Authorization (RMA) number and shipping instructions.

This warranty does not apply to parts that have been damaged by accident, alteration, abuse, improper maintenance, normal wear, or other causes beyond the manufacturer's control. In order to protect you and your ATV, certain parts of the plow system and/or hardware are designed to fail when the equipment is over-stressed. Parts that are lost due to loosening and improper maintenance are not covered under warranty. This warranty does not cover removal or reinstallation labor fees of the plow system and related components.

Peripheral products such as engines, electric motors, and actuators may carry an original manufacturer's warranty. Most hardware is general in nature and is easily obtained locally. Be sure to replace with minimum metric class 8.8 specification.

Kolpin Outdoors, Inc.

Telephone: (763)-478-5800

Toll Free: (877)-956-5746

Fax Number: (800)-245-7569

www.kolpin.com

Email: customerservice@kolpin.com