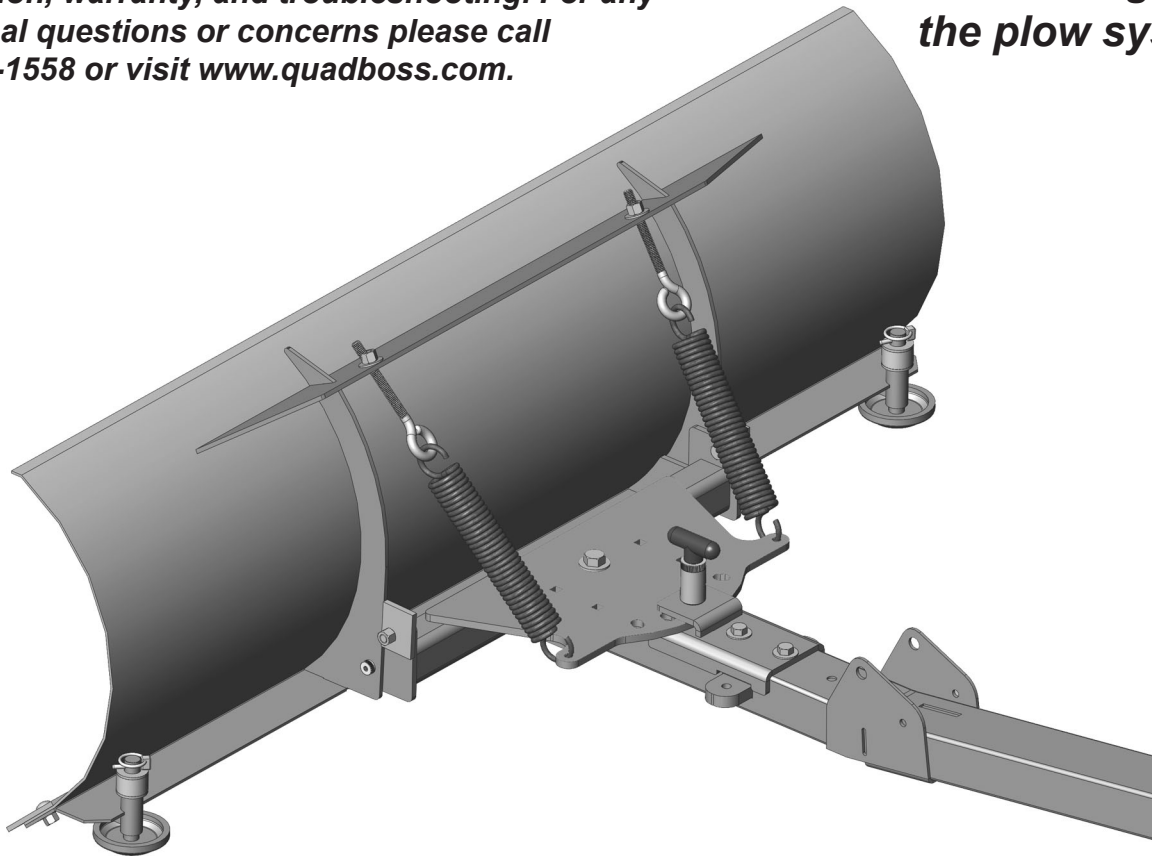




QUADBOSS 50"/60" PLOW BLADE OWNER'S MANUAL

This owners manual covers all aspects of your new plow blade including assembly, replacement parts, installation, warranty, and troubleshooting. For any additional questions or concerns please call 877-847-1558 or visit www.quadboss.com.

Please read this entire owner's manual before assembling or installing the plow system!



Inspection

1 Unpackage and ensure you have all the parts to assemble your plow blade. There will be a parts box inside the blade box that contains the skids, springs, swivel, and hardware. If you have any missing or damaged components call the Quadboss tech line at 877-847-1558 immediately to report the problem.

2 The plow blade can be assembled using standard hand tools. Follow the step-by-step instructions in this manual to assemble the plow blade.



QUADBOSS PLOW BLADE SAFETY PRECAUTIONS



Read this manual completely. Failure to observe the following safety instructions could result in serious injury or death.

- Read the plow owners manual, ATV manual and all safety labels before operating.
- Do not exceed a speed of 5 MPH (8 KPH) when the blade is installed.
- Use extreme caution when operating the plow on rough terrain, slopes, steep grades or on slippery surfaces.
- Stay away from the blade and all moving parts while moving or stationary.
- When plowing snow or dirt into a pile, slow down before reaching the pile. DO NOT ram the pile with the blade. Start backing up before raising the blade.
- ATV braking and stability may be affected by the addition of an accessory or attachment. Be aware of changing conditions on slopes and wet or slippery surfaces.
- Wear safety glasses, protective head gear and footwear as recommended in the ATV operator's manual.
- Keep bystanders away from the blade and ATV at all times.
- Before adjusting the blade angle, stop the ATV engine, set and lock the brakes. Do not lift the blade by hand. Always use the lift handle or winch.
- When the blade is not in use, stop the ATV engine, lock the brakes and lower the blade to the down position.
- Beware of objects that may be hidden under the snow.
- Stop and inspect the equipment if you strike an object. Repair if necessary before restarting.
- Do not operate the plow if it has been damaged in any manner. Repair or replace the damaged component(s) before continuing use.

Blade Warning Decal

⚠ WARNING

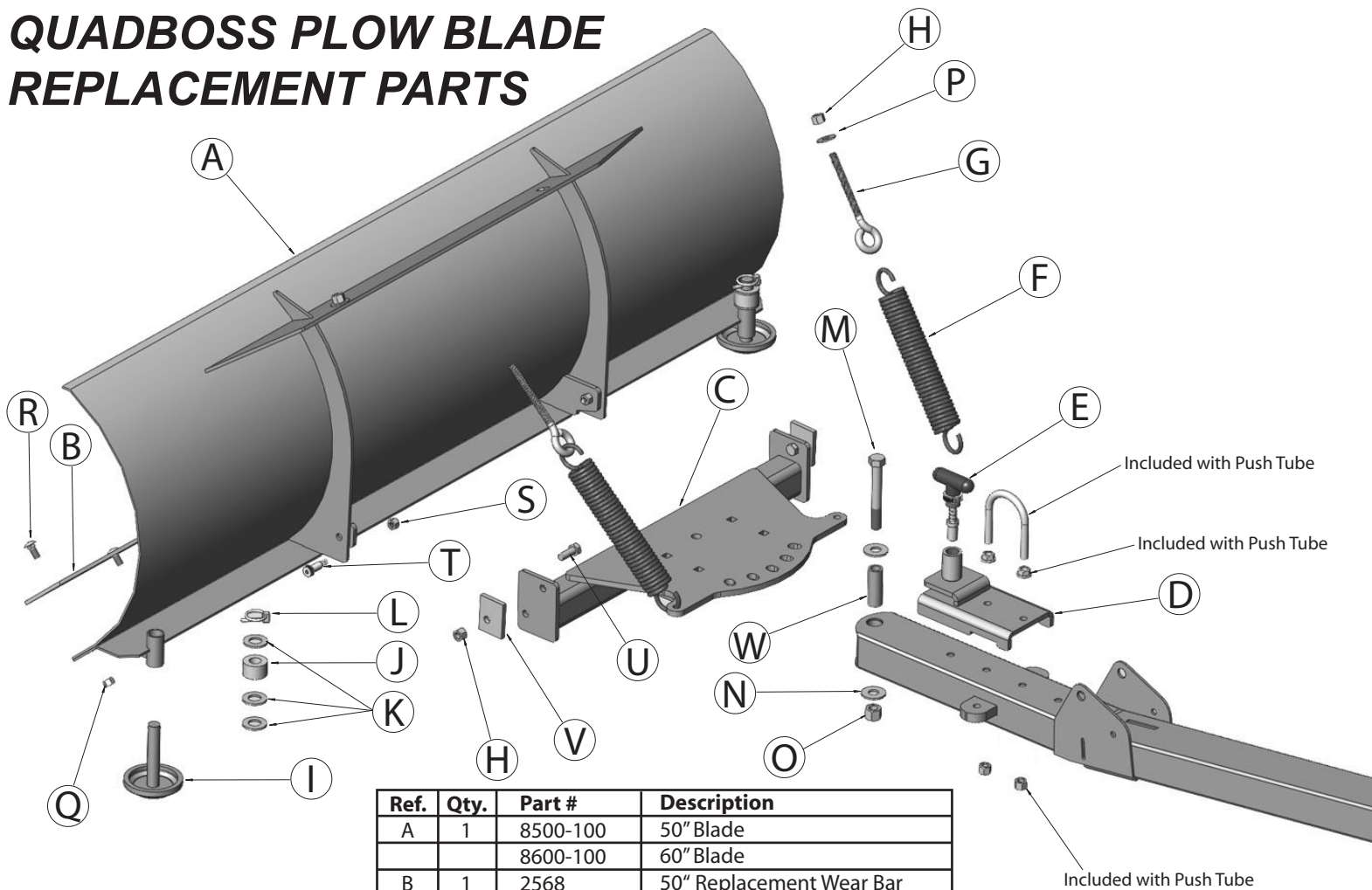
IMPROPER USE OF PLOW CAN CAUSE INJURY OR DEATH!

- Do not exceed 5 MPH with plow installed.
- Keep bystanders away from plow while moving or stationary.
- Do not hit any immovable objects with the plow or ATV.
- Operate with extreme caution on slopes, steep grades and rough terrain.
- Never put your fingers between the blade and wear bar.
- Read plow owner's manual and ATV manual before operating.

LBTR217



QUADBOSS PLOW BLADE REPLACEMENT PARTS



Ref.	Qty.	Part #	Description
A	1	8500-100	50" Blade
		8600-100	60" Blade
B	1	2568	50" Replacement Wear Bar
		2570	60" Replacement Wear Bar
C	1	8500-200	Swivel
D	1	8500-300	Swivel Pin Bracket
E	1	HDW9334	Swivel Pin
F	2	HDW2369	Blade Trip Spring
G	2	HDW2117	Eyebolt
H	4	HDW7061	3/8" Nylock Nut
I	2	8500-400	Skid
J	2	HDW2356	Rubber Spacer
K	6	HDW9005	5/8" Washer
L	2	HDW2315	Lynch Pin
M	1	HDW9337	1/2" x 3-3/4" Hex Bolt
N	2	HDW9026	1/2" Flat Washer
O	1	HDW7089	1/2" Nylock Nut
P	2	HDW9029	3/8" Flat Washer
Q	7	HDW7056	5/16" Whiz Nut
R	7	HDW2064	5/16" x 1" Carriage Bolt
S	2	HDW7058	5/16" Nylock Nut
T	2	HDW2161	3/8" x 3/4" Shoulder Bolt
U	2	HDW2100	3/8" x 1" Hex Bolt
V	2	FG2417	Blade Stop
W	1	8500-10	Pivot Tube Spacer

REPLACEMENT PART KITS

Ref.	Qty.	Part #	Description
	1	56-3634	Spring Kit (Includes 2 of F, G, P, H)
	1	56-3642	Skid Kit (Includes all of I, J, K, L)

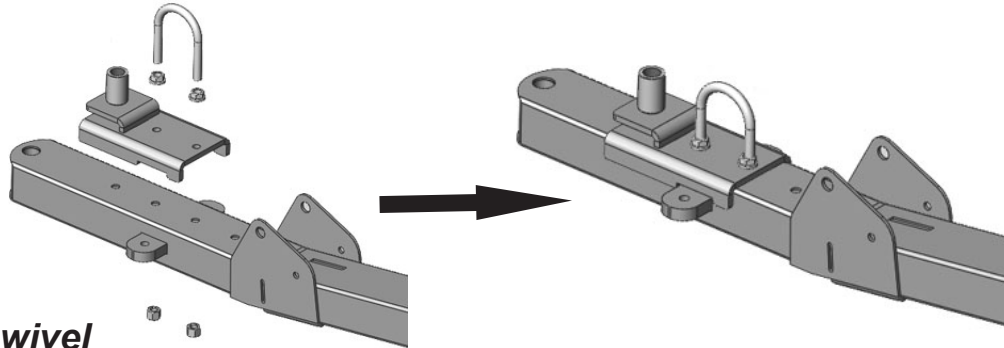
To order replacement parts for your plow blade please call the Quadboss technical service department at 877-847-1558.



QUADBOSS PLOW BLADE ASSEMBLY

Install the Swivel Pin Bracket to the Push Tube

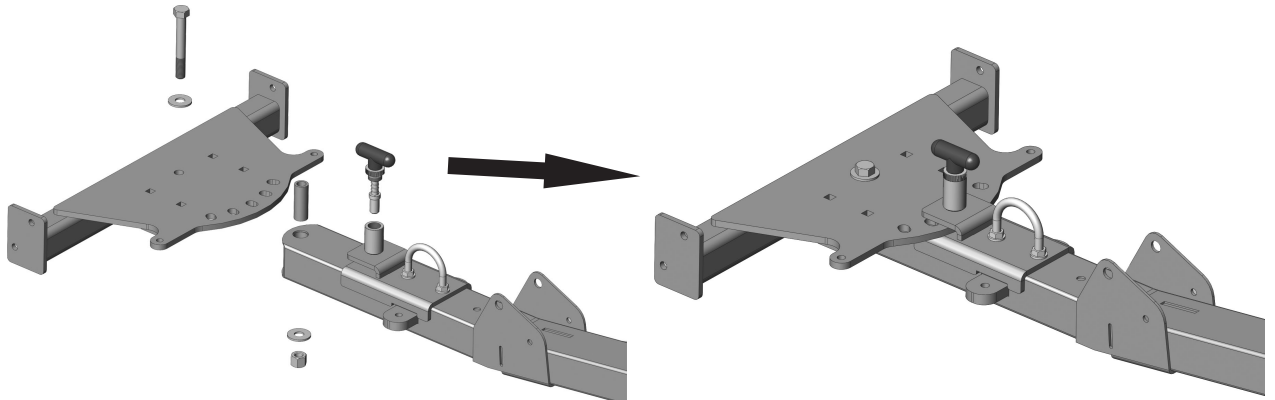
- 1** If your push tube is already assembled you will need to remove the u-bolt before continuing. Place the swivel pin bracket (D) over the front of the push tube lining it up with the front three holes. The cutouts in the side of the swivel plate will locate it over the bracket welded into the push tube. Locate the u-bolt and four 5/16" whiz nuts from the push tube kit. Thread two of the whiz nuts 3/4 of the way up each leg of the u-bolt. Now slide the u-bolt into the two back holes of the swivel pin bracket and through the push tube. Secure in place from the bottom with the two remaining whiz nuts.



Install the Swivel

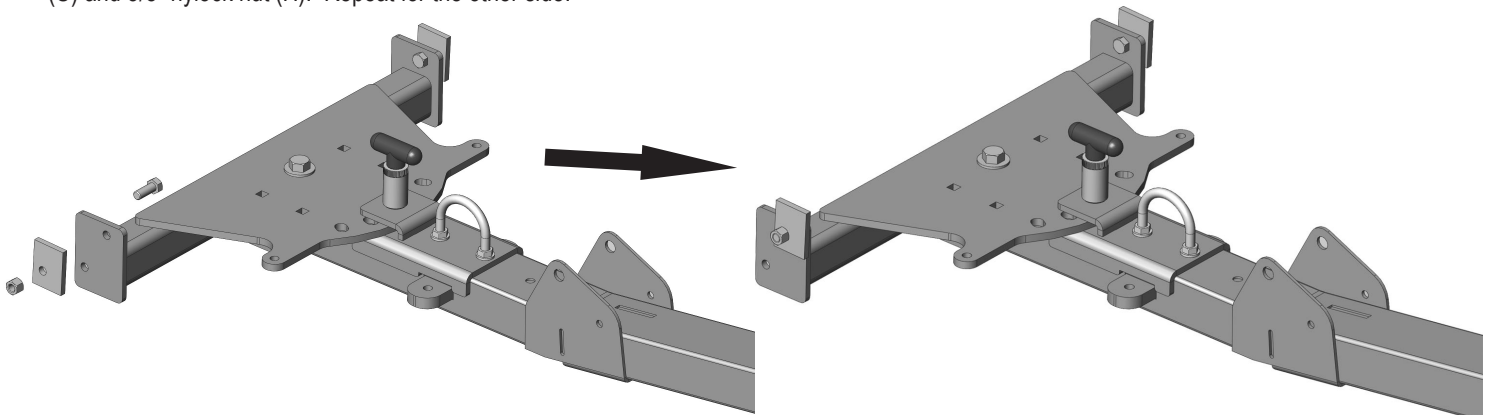
- 2** Slide the pivot tube spacer (W) into the hole in the front of the push tube and place the swivel (C) into position on the front of the push tube. The rear of the swivel will fit into the open groove of the swivel pin bracket. Align the front hole with the push tube hole and bolt in place through the pivot tube spacer using the 1/2" x 3-3/4" hex bolt (M), two 1/2" flat washers (N), and a 1/2" nylock nut (O). Swing the swivel back and forth all the way to ensure it rotates freely.

Thread the swivel pin (E) into the threaded boss on the swivel pin bracket. Ensure that it operates freely and properly locks the swivel in place.



Attach the Blade Stop Blocks to the Swivel

- 3** Bolt a blade stop block (V) to the upper hole in each side of the swivel. The blade stop blocks can be rotated to offer more or less forward blade angle. This can be advantageous in different conditions to help keep the blade from tripping too easy or maintaining an aggressive blade attack angle. Start with the blocks in the least aggressive position, the hole in the block will be towards the blade. Bolt in place with a 3/8" x 1" hex bolt (U) and 3/8" nylock nut (H). Repeat for the other side.

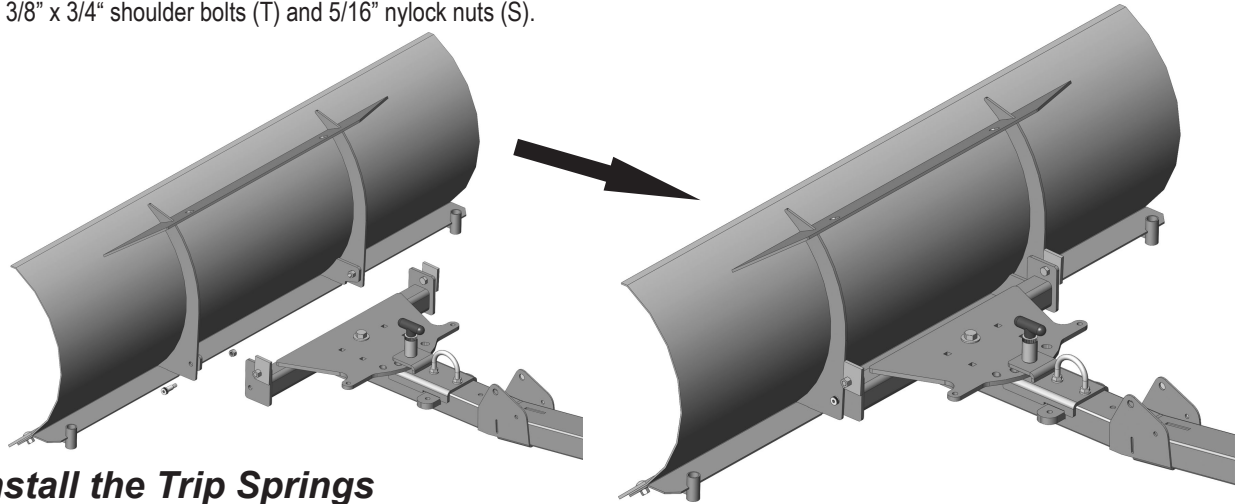


QUADBOSS PLOW BLADE ASSEMBLY

Attach the Blade to the Push Tube

4

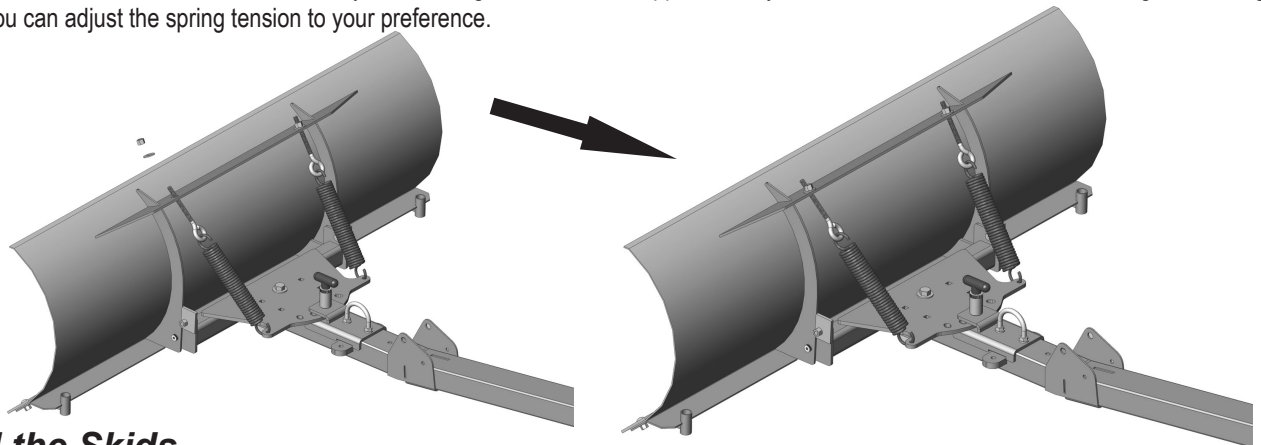
The side mounting tabs on the swivel will fit into the mounting brackets on the back of the blade. Align the holes and bolt into place using two 3/8" x 3/4" shoulder bolts (T) and 5/16" nylock nuts (S).



Install the Trip Springs

5

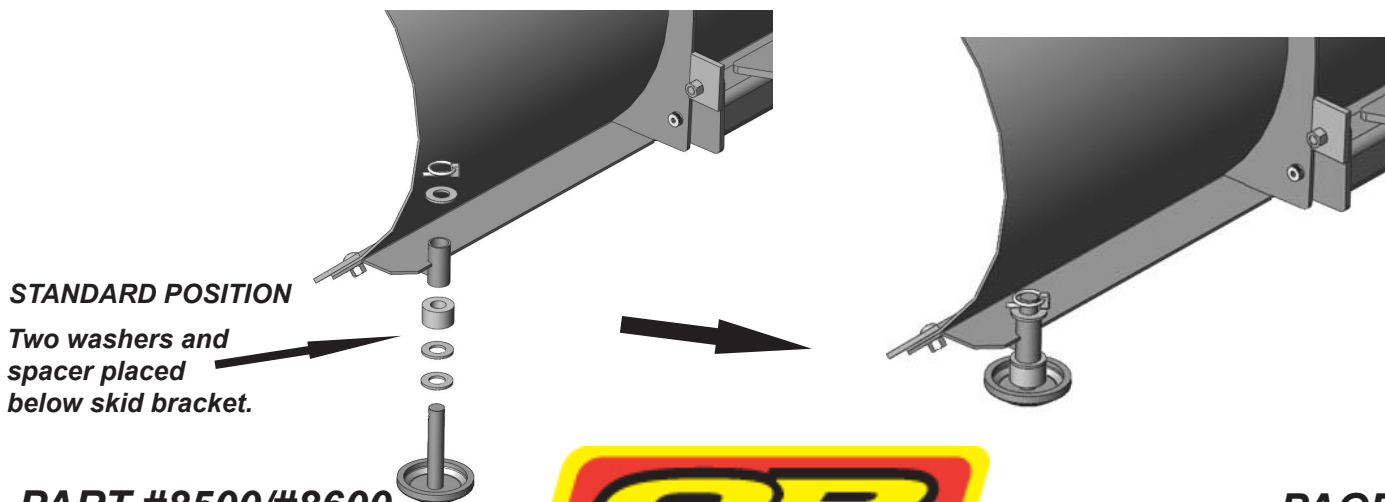
Slide an eyebolt (G) onto one end of the spring (F). Attach the other end of the spring to the hole in the swivel. You should be able to push the eyebolt up through one of the holes (from the bottom) in the top bracket of the blade enough to install a 3/8" flat washer (P) and nylock nut (H). Repeat for the other side. Once both are loosely installed, tighten so there is approximately 1-1.5" of thread above nut. This is a good starting point but you can adjust the spring tension to your preference.



Install the Skids

6

Each skid (I) includes three adjusting washers (K) and one rubber spacer (J). The default position is to have the rubber spacer and two washers placed on the skid before installing it up into the bottom of the skid bracket. Secure on top with one washer and the lynch pin (L). Due to different machines, plowing surfaces, and personal preference you can adjust the skid height by moving the washers and/or spacers above or below the skid bracket. The order in which you install the rubber spacers vs. the washers does not matter.



PART #8500/#8600



PAGE 5 of 6

QUADBOSS PLOW BLADE OPERATION

Blade Angle Adjustment

- 1 Once fully installed on your ATV you are now ready to plow. Your blade angle can be adjusted to five preset positions. Simply lift the blade off the ground, pull up on the swivel pin and turn the plow either direction until you can drop the pivot pin back down into another hole. The blade angle mechanism is designed for years of trouble free use. You may need to occasionally clean out the swivel area from snow, ice, dirt, or other debris to ensure smooth operation.

Trip Springs

- 2 The trip springs pull the blade back into the vertical position after impacting an object that trips the blade forward. No maintenance is required but the springs may over-extend in certain situations which can damage the springs. If you notice a pulled coil you can order a replacement spring kit at the phone number listed at the bottom of the page. Springs are considered a wear item and will not be warranted in most situations.

Wear Bar

- 3 The wear bar is considered a normal wear item and is not warrantable. As it wears simply adjust your skid height to compensate. Once it is worn too low you can unbolt it from the blade and flip it over for additional use. Call the number listed below to order a replacement wear bar.

QUADBOSS PLOW BLADE WARRANTY INFORMATION

Warranty

The manufacturer's warranty to the original consumer purchaser is: This product is free from defects in materials and workmanship for a period of one (1) year from the date of purchase by the original consumer purchaser. We will repair or replace, at our discretion, parts found to be defective due to materials or workmanship. This warranty is subject to the following limitations and exclusions:

- 1) Commercial Use This product is not intended for commercial or rental use.
- 2) Limitations This warranty applies only to products which have been properly assembled, adjusted, designed by the original manufacturer to work in conjunction together, and operated in accordance with the instructions contained within this manual. This warranty does not apply to any product of Quadboss, that has been subject to alteration, misuse, abuse, improper assembly or installation, or shipping damage.
- 3) Exclusions Excluded from this warranty are normal wear items, normal adjustments, and normal maintenance. The blade and hardware were designed with safety in mind. To protect you and your ATV, certain parts were designed to fail when the equipment is over stressed. For this reason, certain components and related hardware are not warranted.

In the event you have a claim under this warranty, you must return the product to an authorized service dealer. All transportation charges, damage, or loss incurred during transportation of parts submitted for replacement or repair under this warranty shall be borne by the purchaser. Should you have any question concerning this warranty, please contact us at 877-847-1558. The model number, date of purchase, and name of authorized Quadboss dealer from whom you purchased the product will be needed before any warranty claim can be processed.

THIS WARRANTY DOES NOT APPLY TO ANY INCIDENTAL OR CONSEQUENTIAL DAMAGES AND ANY IMPLIED WARRANTIES ARE LIMITED TO THE SAME TIME PERIODS STATED HEREIN FOR ALL EXPRESSED WARRANTIES.

Some states do not allow the limitation of consequential damages or limitations on how long an implied warranty may last, so the above limitations or exclusions may not apply to you. This warranty gives you specific legal rights and you have other rights, which vary from state-to-state. This is a limited warranty as defined by Magnuson-Moss ACT of 1975.

