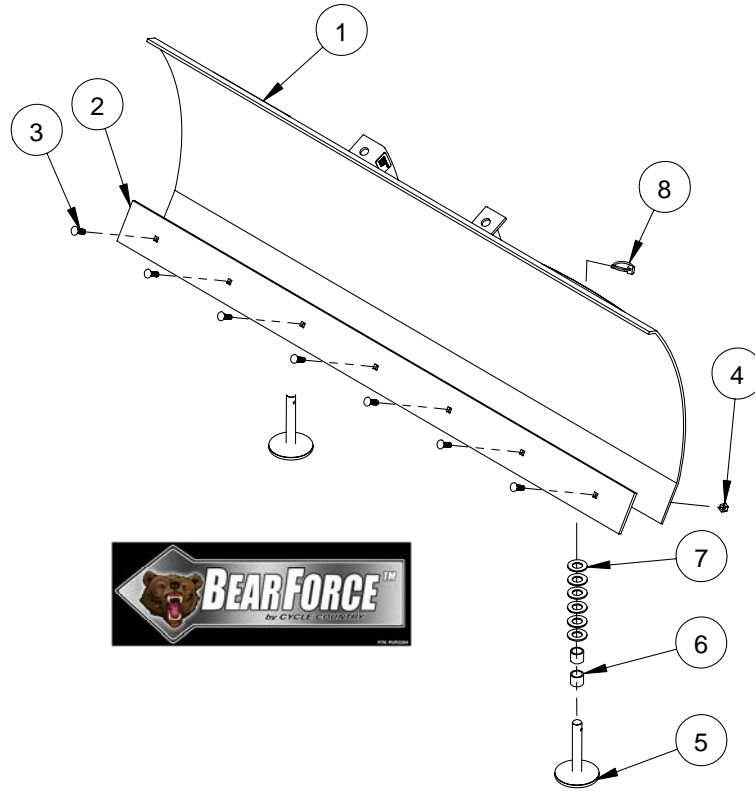





1701 38TH AVE W  
 PO BOX 257  
 SPENCER, IA 51301  
 PHONE: 712-262-4191  
 FAX: 712-262-0248  
 SERVICE: 800-841-2222  
 E-MAIL: ccac@cyclecountry.com  
 www.cyclecountry.com



		10-0020 48" Blade Black	10-0370 52" Blade Black	10-0170 54" Blade Black	10-0030 60" Blade Black	10-0090 72" Blade Black
Item No.	Description	Part Number, (Quantity)				
1	Blade	CYC2694 (1)	CYC3581 (1)	CYC4929 (1)	CYC2695 (1)	CYC3794 (1)
2	Wear Bar 3" Double Sided	12-0130 (1)	12-0140 (1)	12-0150 (1)	12-0160 (1)	12-0170 (1)
	Long Life Wear Bar (Optional)	12-0030 (1)	12-0040 (1)	12-0050 (1)	12-0060 (1)	12-0070 (1)
3	Carriage Bolt 5/16-18UNC x 1	PUR1189 (7)	PUR1189 (8)	PUR1189 (8)	PUR1189 (9)	PUR1189 (11)
4	Locknut 5/16-18UNC	PUR1275 (7)	PUR1275 (8)	PUR1275 (8)	PUR1275 (9)	PUR1275 (11)
5	Skid Cast Heavy Duty	PUR1467 (2)	PUR1467 (2)	PUR1467 (2)	PUR1467 (2)	PUR1467 (2)
6	Spacer .645 ID x .75	PUR0400 (4)	PUR0400 (4)	PUR0400 (4)	PUR0400 (4)	PUR0400 (4)
7	Flatwasher 5/8"	PUR1246 (12)	PUR1246 (12)	PUR1246 (12)	PUR1246 (12)	PUR1246 (12)
8	Pin Quick .1875 x 1.5	PUR1359 (2)	PUR1359 (2)	PUR1359 (2)	PUR1359 (2)	PUR1359 (2)

**CUSTOMER MUST RECEIVE A COPY OF THIS  
 OWNER'S MANUAL AT TIME OF PURCHASE**

© 2000 Cycle Country Accessories Corp.

2/22/10

MAN0001



1701 38TH AVE W  
PO BOX 257  
SPENCER, IA 51301  
PHONE: 712-262-4191  
FAX: 712-262-0248  
SERVICE: 800-841-2222  
E-MAIL: [ccac@cyclecountry.com](mailto:ccac@cyclecountry.com)  
[www.cyclecountry.com](http://www.cyclecountry.com)

## **Limited Lifetime Warranty**

This Blade has a limited lifetime warranty. This means that this blade is guaranteed to be free of defect in material and workmanship, for the life of the blade. The warranty does not apply to blades that have been damaged by accident, alteration, abuse, or other causes beyond Cycle Country Accessories Corporation's control.

All transportation cost incurred by the purchaser in submitting the blade to Cycle Country Accessories Corporation for replacement under this warranty must be borne by the purchaser. If Cycle Country Accessories Corporation determines that the product must be returned to the factory for credit please call 1-800-841-2222 for an RMA number and shipping instructions.