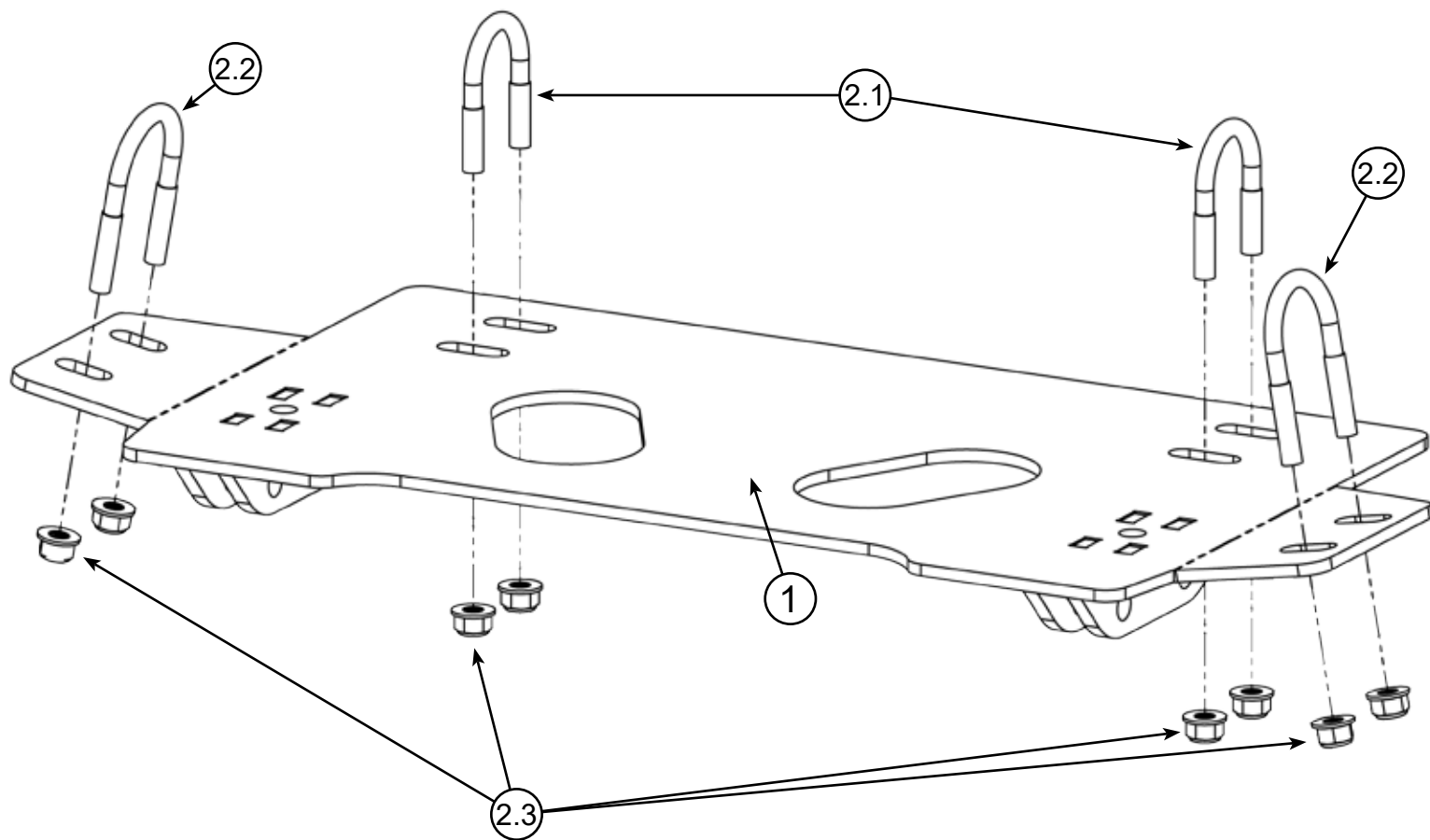


# OUTLANDER (PRO) G3 500/700

Plow Mount PART #106625



Kit Components:		
Item #	Qty.	Description
1	1	Plow Mount
2	1	Hardware Kit HK-437
2.1	2	5/16"-18 X 1.25" X 2.00" U-Bolt Zinc 1.00" Thread
2.2	2	5/16"-18 X 1.50" X 2.50" U-Bolt Zinc 1.25" Thread
2.3	8	5/16"-18 Hex Nut Flange Nylock Zinc GR5



# INSTALLATION INSTRUCTIONS

**Note:** Make sure all hardware needed to complete this mount is in the package. Thoroughly read through and understand the instructions before installing.

1. Install the U-Bolts (2.1 & 2.2) around the frame bars shown in **Figures 1 & 2**. The smaller U-Bolts (2.1) will go around the rear bars, through the skid plate holes, and the larger U-Bolts (2.2) will go around the front footwell frame bar.
2. Be sure that the U-Bolts aren't pinching anything between them and the frame. U-Bolts (2.2) will slip between the 2 pieces of plastic shown in **Figure 2**.
3. Place the Plow Mount (1) under the skid plate and guide the U-Bolts into place as shown in **Figure 3**. It is easiest to install the rear U-Bolts (2.1) through the Plow Mount (1) first.
4. Loosely secure all 4 U-Bolts with Lock Nuts (2.3) as shown in **Figure 3**. Use the maintenance cut-outs in the plow mount and skid plate to ensure the mount is square and centered before tightening.
5. Tighten all hardware evenly.

