

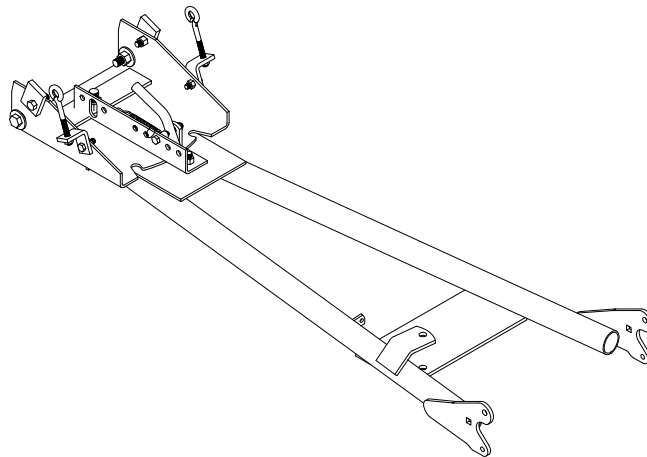
1701 38TH AVE W  
PO BOX 257  
SPENCER, IA 51301  
PHONE: 712-262-4191  
FAX: 712-262-0248  
SERVICE: 800-841-2222  
E-MAIL: ccac@cyclecountry.com

# Work POWER 2000

## UNIVERSAL PUSH TUBE

### OWNER'S MANUAL

**MODEL NUMBER: 15-0001**



**CUSTOMER MUST RECEIVE A COPY OF THIS  
OWNER'S MANUAL AT TIME OF SALE**

# **OPERATING INSTRUCTIONS**

## **READ BEFORE OPERATING**

### **WARNING !**

TO AVOID SERIOUS INJURY OR DEATH:

1. DO NOT EXCEED 5 MPH WITH BLADE INSTALLED.
2. OPERATE WITH EXTREME CAUTION ON SLOPES, STEEP GRADES, AND ROUGH TERRAIN.
3. KEEP AWAY FROM BLADE AND MOVING PARTS DURING OPERATION.
4. WHEN PLOWING SNOW OR DIRT INTO A PILE, START BACKING UP BEFORE RAISING THE BLADE.
5. DO NOT RAM THE BLADE INTO THE PILE.
6. BE AWARE OF POSSIBLE HIDDEN OBJECTS UNDER SNOW.

### **CAUTION**

TO AVOID PERSONAL INJURY:

1. READ BLADE OWNER'S MANUAL, ATV OPERATOR'S MANUAL, AND SAFETY DECALS BEFORE OPERATING.
2. WEAR HEAD PROTECTION, SAFETY GLASSES, AND SHOES AS RECOMMENDED IN ATV OPERATOR'S MANUAL.
3. DO NOT ALLOW RIDERS ON BLADE OR ATV WHILE MOVING OR STATIONARY.
4. KEEP BYSTANDERS AWAY FROM BLADE OR ATV WHILE MOVING OR STATIONARY.
5. BEFORE ADJUSTING BLADE ANGLE, STOP ATV ENGINE, SET AND LOCK BRAKES, RAISE AND LOCK BLADE IN UP POSITION. DO NOT ATTEMPT TO RAISE BLADE BY HAND. USE THE LIFT HANDLE ONLY.
6. BEFORE ADJUSTING BLADE HEIGHT, LOWER BLADE TO THE DOWN POSITION.
7. WHEN BLADE IS NOT IN USE, STOP ATV ENGINE, SET AND LOCK BRAKES, AND LOWER BLADE TO DOWN POSITION.
8. ONLY MATURE ADULTS OVER THE AGE OF 16 SHOULD OPERATE THE MACHINERY.
9. DO NOT USE THIS EQUIPMENT AT NIGHT OR WHEN VISIBILITY IS POOR UNLESS YOUR ATV HAS ADEQUATE LIGHTING.
10. DUE TO THE EXTRA LENGTH OF THE 60" (1.52 m) BLADE, LOSS OF DIRECTIONAL CONTROL MAY RESULT WHEN PUSHING HEAVY MATERIAL. USE CAUTION!

### **OPERATION**

Your blade and hardware were designed with your safety in mind. In order to protect you and your ATV, certain parts of the blade and/or hardware are designed to fail when the equipment is over stressed. For this reason the push tubes, blade hinges, foot peg brackets, push plate attaching pins and clevis pins are not covered by warranty.

1. The blade angle is adjustable. To rotate the blade left, right or straight, lock blade in the up position, pull the blade position lever ahead and turn the blade to the desired position. The lever will spring back when the blade is at the correct angle.
2. The blade is raised or lowered by either pulling back on the lift handle or letting the lift handle go forward. The blade can also be locked in the up position by pulling all the way back on the lift handle. Infinite height settings are achieved by holding the lift handle at the desired position. The blade skids are adjustable to set the desired clearance between the plow and the ground.
3. The blade is designed to trip when it strikes an object or digs in too far. When pressure is released the blade springs back into position. Blade spring tension may be set stiffer by tightening the locknuts on the bottom of the eyebolts. For less spring tension, loosen the locknuts.

**THANK YOU FOR YOUR PURCHASE OF OUR**

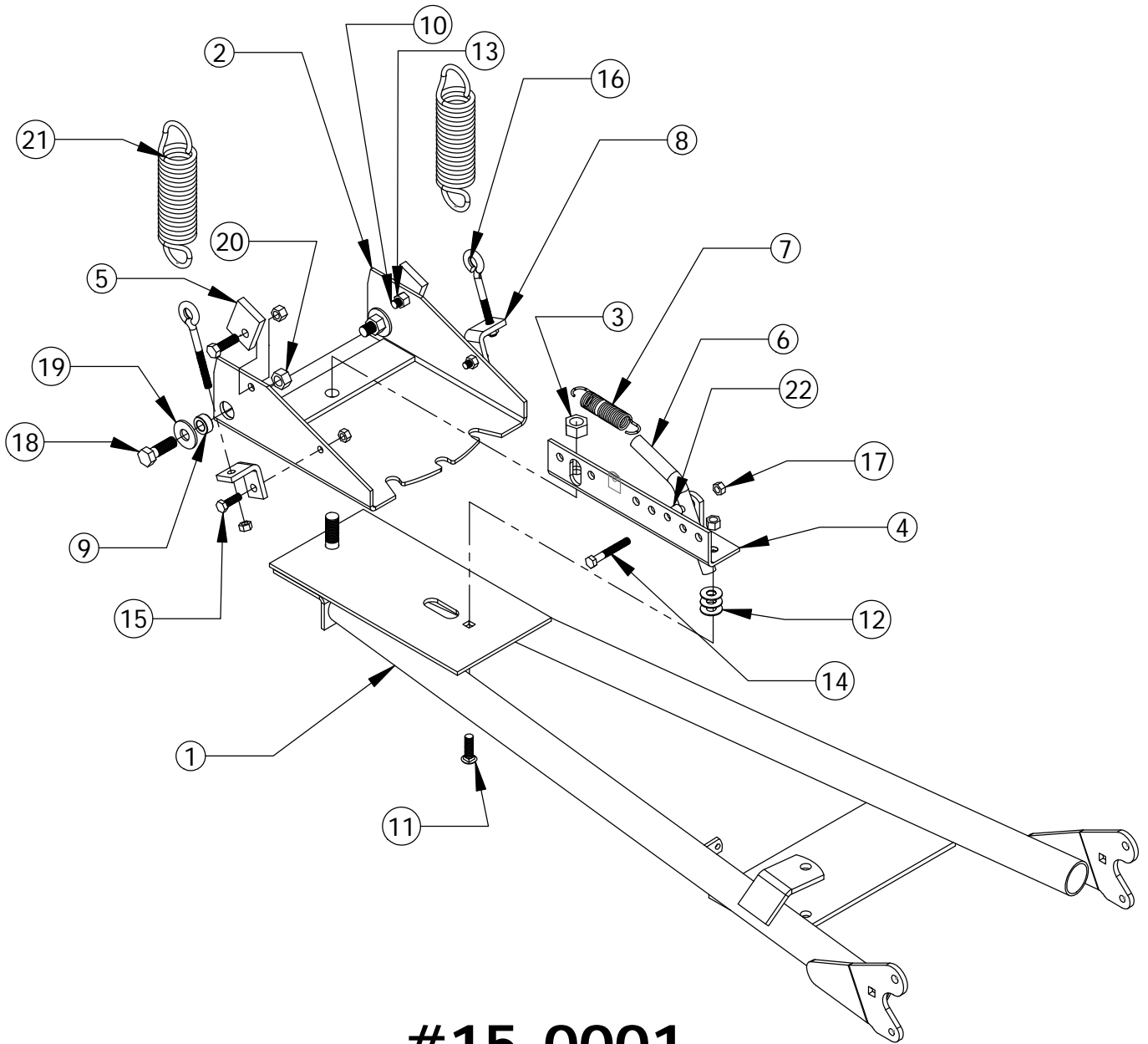
**Work  
POWER  
2000**

## **UNIVERSAL PUSH TUBE**

**MODEL NUMBER 15-0001**

TO HAVE A COMPLETE PLOW ASSEMBLY, YOU MUST HAVE AT LEAST FOUR BOXES:

- 1. MODEL SPECIFIC ATTACHING HARDWARE KIT. TO ATTACH UNIVERSAL PUSH TUBE TO ATV.**
- 2. UNIVERSAL PUSH TUBE #15-0001**
- 3. BLADE OF YOUR CHOICE (COLOR, STYLE, & SIZE)**
- 4. YOUR CHOICE OF BLADE LIFT METHODS,**
  - a. UNIVERSAL MANUAL LIFT/STANDARD #15-0010 or  
UNIVERSAL MANUAL LIFT/EXTENDED #15-0015**
  - b. ELECTRIC BLADE LIFT #10-0100**
  - c. USE YOUR WINCH TO RAISE AND LOWER YOUR BLADE**



## #15-0001 Parts List

ITEM NO.	QTY.	PART NO.	DESCRIPTION	ITEM NO.	QTY.	PART NO.	DESCRIPTION
1	1	CYC3154	Y2K Push Tube	12	3	PUR0250	3/8" Flat Washer
2	1	CYC2389	Blade Hinge	13	3	PUR1272	Nut 3/8" Nylock
3	1	PUR1283	Nut 5/8" Nylock	14	1	PUR1162	5/16" x 2-1/4" Bolt
4	1	CYC0345	Blade Position Lever Bracket	15	2	PUR1155	5/16" x 1" Bolt
5	2	CYC0813	Blade Stop	16	2	PUR1216	5/16" x 4-1/4" Eye Bolt
6	1	CYC2259	Blade Position Lever	17	5	PUR1275	Nut 5/16" Nylock
7	1	PUR1437	Belt Tension Spring	18	2	PUR1110	1/2" x 1-1/2" Bolt
8	2	CYC0812	Blade Spring Bracket	19	4	PUR1235	1/2" Flat Washer SAE
9	2	PUR1411	7/8" Steel Bushing	20	2	PUR1260	Lock Nut 1/2" Yellow
10	2	PUR1142	3/8" x 1-1/4" Bolt	21	2	PUR1409	Blade Spring
11	1	PUR1187	Carriage Bolt 3/8" x 1-1/4"	22	1	PUR1361	Bushing

## WARNING

- Due to reduced ground clearance, remove the plow mounting bracket(s) before trail riding.
- Do not exceed 5 MPH with the mounting bracket(s) installed.

## OPERATION TIPS

- When plowing snow or dirt into a pile, back away from the pile before attempting to raise the blade
- For best results set the suspension to the stiffest setting if possible

## MAINTENANCE

- Periodically check for wear and tightness of all fasteners. Replace or tighten as necessary. Grease all pivot points and hinges as needed

## NOTICE

- The use of winch mounting kits not manufactured by Cycle Country Accessories with Work Power Blades will void all warranties.
- The Cycle Country Winch Kits are specifically designed to help prevent damage to the Plows, Winch Kits and ATV's.

All references to right and left are relative to an operator sitting on the machine.

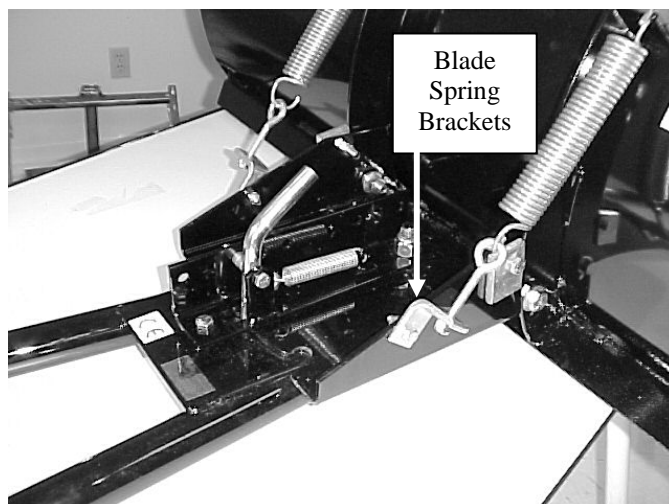
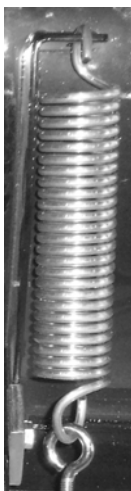
## Blade Connection

Install the blade stops (Item 5) as shown on page 4 using the 3/8" x 1-1/4" bolts and locknuts (Items 10 and 13). The forward angle of the blade can be set to one of four positions by turning the blade stops to the desired position. It is recommended that the top edge of the blade be directly above the bottom edge.

To secure the blade to the blade hinge (Item 2), place the 7/8" steel bushings (Item 9) into the holes in the blade hinge. Secure the blade hinge to the blade with the 1/2" x 1-1/2" bolts, flatwashers and locknuts (Items 18, 19, 20). Tighten the nuts to 60 foot pounds of torque.

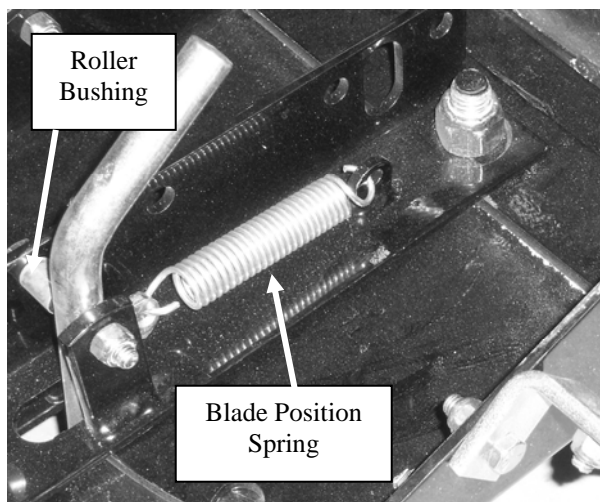
Fasten the blade spring attaching brackets (Item 8), one on either side of the blade hinge as shown on page 4.

Hang the two blade springs (Item 21) from the top holes in the blades ribs. See picture below for proper spring orientation. Place the eyebolts (Item 16) onto the springs and fasten the eyebolts to the blade spring attaching brackets using the two locknuts (Item 17). Tighten the two locknuts until the spring coils start to separate.



The spring tension may be increased or decreased by tightening or loosening the locknuts on the eyebolts. The spring tension determines the force required to tilt the plow forward when the bottom edge strikes an object.

Install the blade position lever (Item 6) and blade position spring (Item 7) using the 5/16" x 2-1/4" bolt (Item 14), roller bushing (Item 22), and 5/16" locknut (Item 17) as shown below. Tighten the bolt fully and then loosen just enough to allow the blade position lever to move freely.



These instructions are for the push tube assembly only. If you have also purchased a Cycle Country manual blade lift kit, please refer to those assembly instructions at this point.

### **Final Blade Installation**

Position the push tube (Item 1) under the ATV. Lift the rear of the assembly up and secure it to the push tube attaching bracket(s) using the 3/8" clevis pins and hairpins provided in the attaching kit.

### **Blade Angle Operation**

The blade can be angled straight or to the left or right. To change the plow angle, push the blade position lever (Item 6) forward and turn the blade to the desired position. The lever will automatically spring into the slot when the blade reaches the proper angle.

1701 38TH AVE W  
PO BOX 257  
SPENCER, IA 51301  
PHONE: 712-262-4191  
FAX: 712-262-0248  
SERVICE: 800-841-2222  
E-MAIL: ccac@cyclecountry.com

## **ONE YEAR LIMITED WARRANTY**

For the period of one year from the purchase date Cycle Country Accessories Corporation will replace for the original purchaser, free of charge, any part or parts, when found, upon examination by Cycle Country Accessories Corporation, to be defective in material, workmanship, or both.

All transportation cost incurred by the purchaser in submitting the material to Cycle Country Accessories Corporation for replacement under this warranty must be borne by the purchaser. If Cycle Country Accessories Corporation determines that the product must be returned to the factory for credit please call 1-800-841-2222 for an RMA number and shipping instructions.

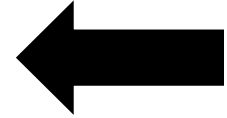
The warranty does not apply to parts that have been damaged by accident, alteration, abuse, improper lubrication, normal wear, or other causes beyond Cycle Country Accessories Corporation's control. Products such as engines, electric motors, and actuators may carry an original manufacturer's warranty. Please call Cycle Country Accessories Corporation for information.



Cycle Country Accessories Corporation has been a world-renowned manufacturer of quality ATV products since 1981 and we hope you will enjoy your new Cycle Country accessory.



## Check out our other accessories



### **We're the Industry Snow Blade leader:**

42", 48", 54", 60" & 72" Straight Blades

52" & 60" State Plows

Power 'V' Blade

### **If a winch is what you must have, then you've come to the right place:**

1500lb, 2500lb and 3000lb Winches

We also have an extensive line of winch mounts for both Cycle Country and Warn winches

### **If you need to haul more gear on your quad, check out our baskets:**

Front Basket

Rear Basket

Rear Drop Basket

### **If you need to mow the trail before you go riding one of these will help:**

Our 54" finish cut Quick Silver54 can be mounted in front or towed behind your ATV

The 48" Rough Cut will handle your toughest mowing jobs

The Rough Cut 44 provides an economical way to handle all your mowing needs

### **If you are into deer hunting and want to make a food plot, you will love our 3 Point Hitch & Implements:**

Rear Blade

Moldboard Plow

Spreader

Furrower

Rake

Cultivator

Disk Harrow

### **And many more accessories to help you Work Hard and Play Hard:**

For more information call us at 1-800-841-2222, or on the web at [www.cyclecountry.com](http://www.cyclecountry.com)