



1701 38TH AVE W
PO BOX 257
SPENCER, IA 51301
PHONE: 712-262-4191
FAX: 712-262-0248
SERVICE: 800-841-2222
E-MAIL: ccac@cyclecountry.com
www.cyclecountry.com

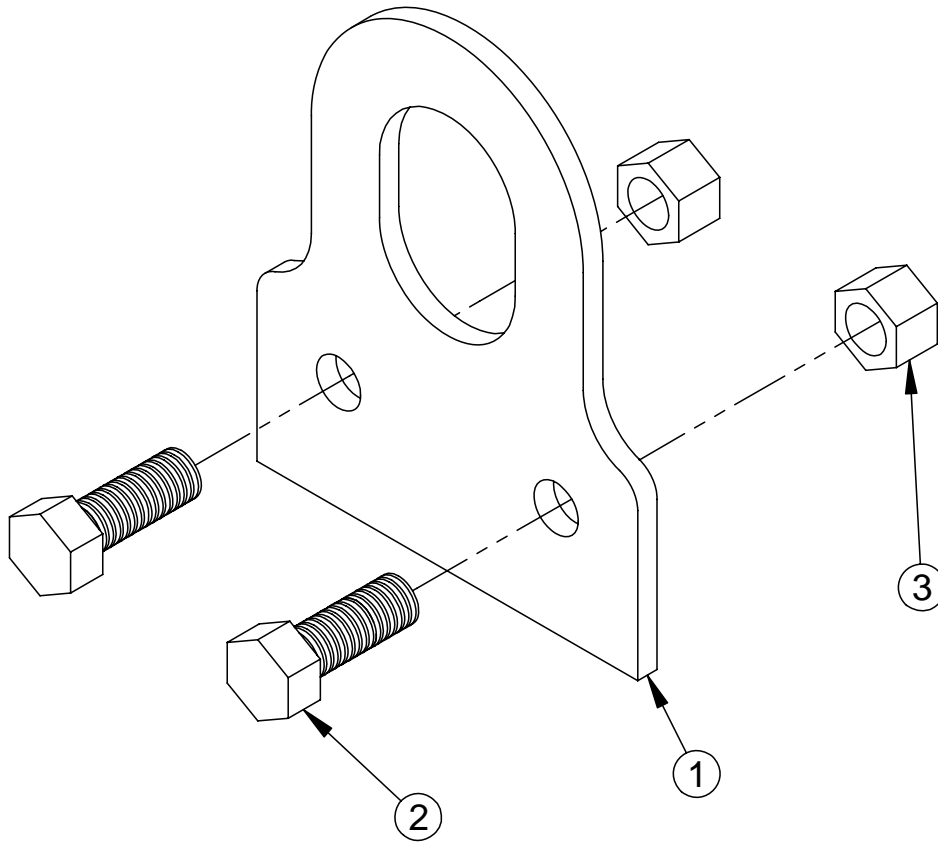
Work POWER 2000

WINCH LIFT EXTENSION KIT

OWNER'S MANUAL

MODEL NUMBER: 15-0025

**CUSTOMER MUST RECEIVE A COPY OF THIS
OWNER'S MANUAL AT TIME OF SALE**



Model Number 15-0025 Parts List

ITEM NO.	QTY.	PART NO.	DESCRIPTION
1	1	CYC0088	Hook Extension
2	2	PUR1140	3/8" x 1" Bolt
3	2	PUR1272	Nut 3/8" Nylock

The Cycle Country Winch Lift Extension Bracket Kit makes it possible to mount the hook on your winch cable at a higher point on your Cycle Country Work Force 2000 push tube. This will increase the clearance between the winch cable and blade pivot lever, allowing easier access and preventing a potential wear spot on the cable.

This kit is not compatible with these Cycle Country products:

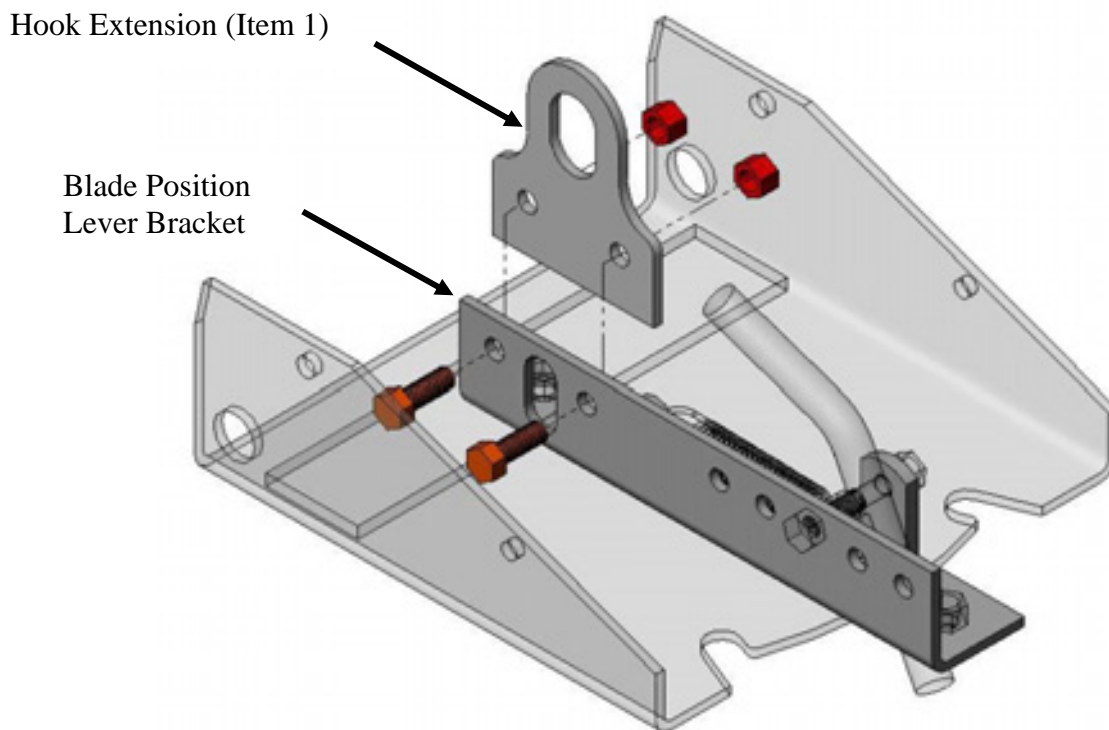
Cycle Country Plow Down Force Kit (Model Number 10-0230)

Cycle Country 50" V-Plow (Model Number 10-0040)

Cycle Country UTV Plow System (18 Series)

Installation:

1. Using the supplied hardware, attach the Hook Extension (Item 1) to the end of the Blade Position Lever Bracket on your pushtube as shown.



2. Attach the hook from the winch to the new mounting location on the Hook Extension..

Cautions:

- Use only hooks with a functional auto lock feature to prevent the hook from un-attaching from the hook extension.
- Always use heavy duty work gloves when handling winch cables.



1701 38TH AVE W
PO BOX 257
SPENCER, IA 51301
PHONE: 712-262-4191
FAX: 712-262-0248
SERVICE: 800-841-2222
E-MAIL: ccac@cyclecountry.com
www.cyclecountry.com

ONE YEAR LIMITED WARRANTY

For the period of one year from the purchase date Cycle Country Accessories Corporation will replace for the original purchaser, free of charge, any part or parts, when found, upon examination by Cycle Country Accessories Corporation, to be defective in material, workmanship, or both.

All transportation cost incurred by the purchaser in submitting the material to Cycle Country Accessories Corporation for replacement under this warranty must be borne by the purchaser. If Cycle Country Accessories Corporation determines that the product must be returned to the factory for credit please call 1-800-841-2222 for an RMA number and shipping instructions.

The warranty does not apply to parts that have been damaged by accident, alteration, abuse, improper lubrication, normal wear, or other causes beyond Cycle Country Accessories Corporation's control. Products such as engines, electric motors, and actuators may carry an original manufacturer's warranty. Please call Cycle Country Accessories Corporation for information.