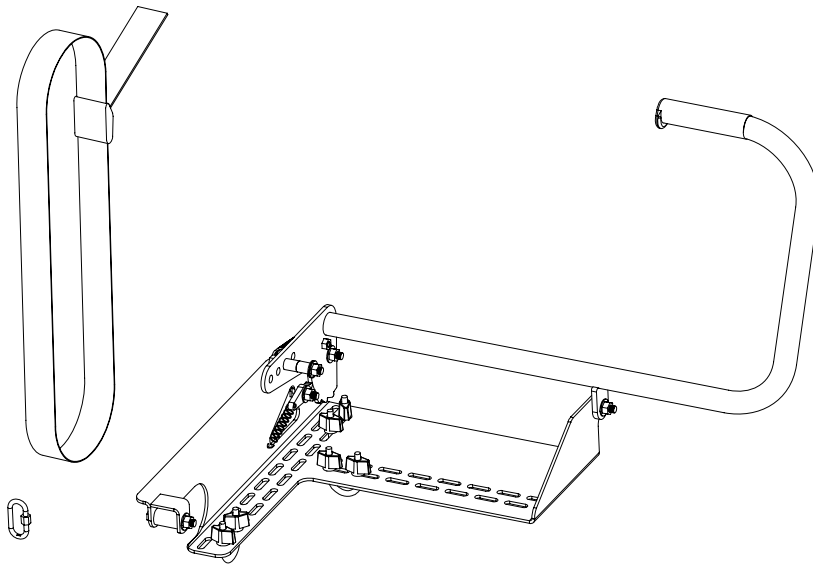




1701 38TH AVE W
PO BOX 257
SPENCER, IA 51301
PHONE: 712-262-4191
FAX: 712-262-0248
SERVICE: 800-841-2222
E-MAIL: ccac@cyclecountry.com
www.cyclecountry.com

QuickLift For A.R.M. Plow Owner's Manual

Model Number: 15-0030



**CUSTOMER MUST RECEIVE A COPY OF THIS
OWNER'S MANUAL AT TIME OF SALE**

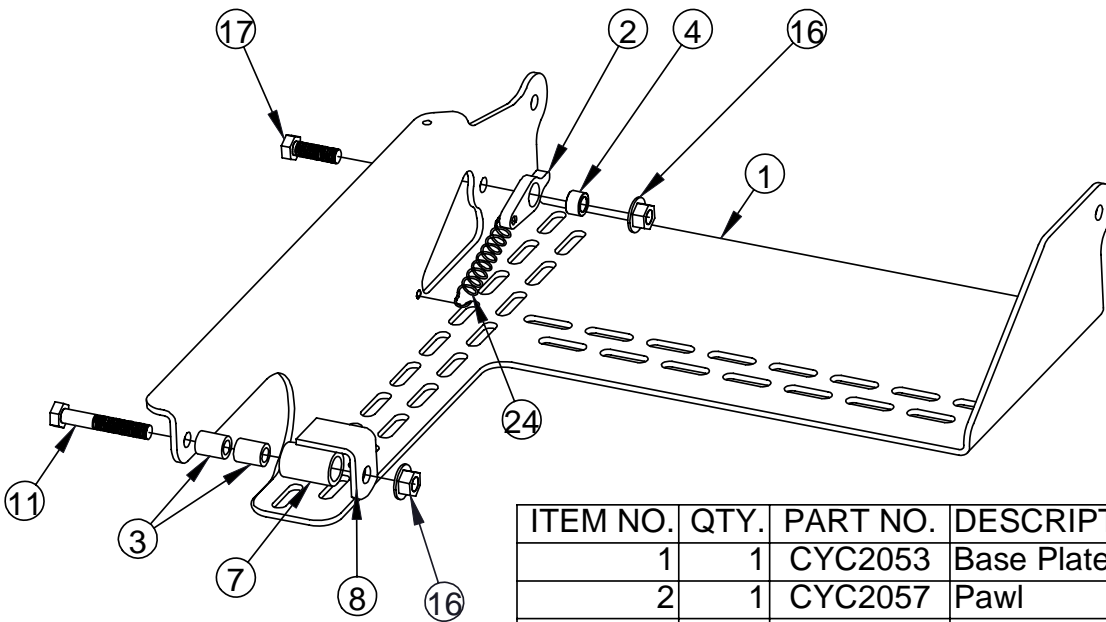
The Cycle Country QuickLift is a rack mounted manual lift for your Cycle Country A.R.M. Plow. The QuickLift features a four position ratcheting handle for quick and easy lifting. It attaches easily to the front of most ATVs with steel racks and can be quickly removed when not in use.

Warning!

- When lowering plow, do not let go of lift handle until plow has reached the ground.

Assembly

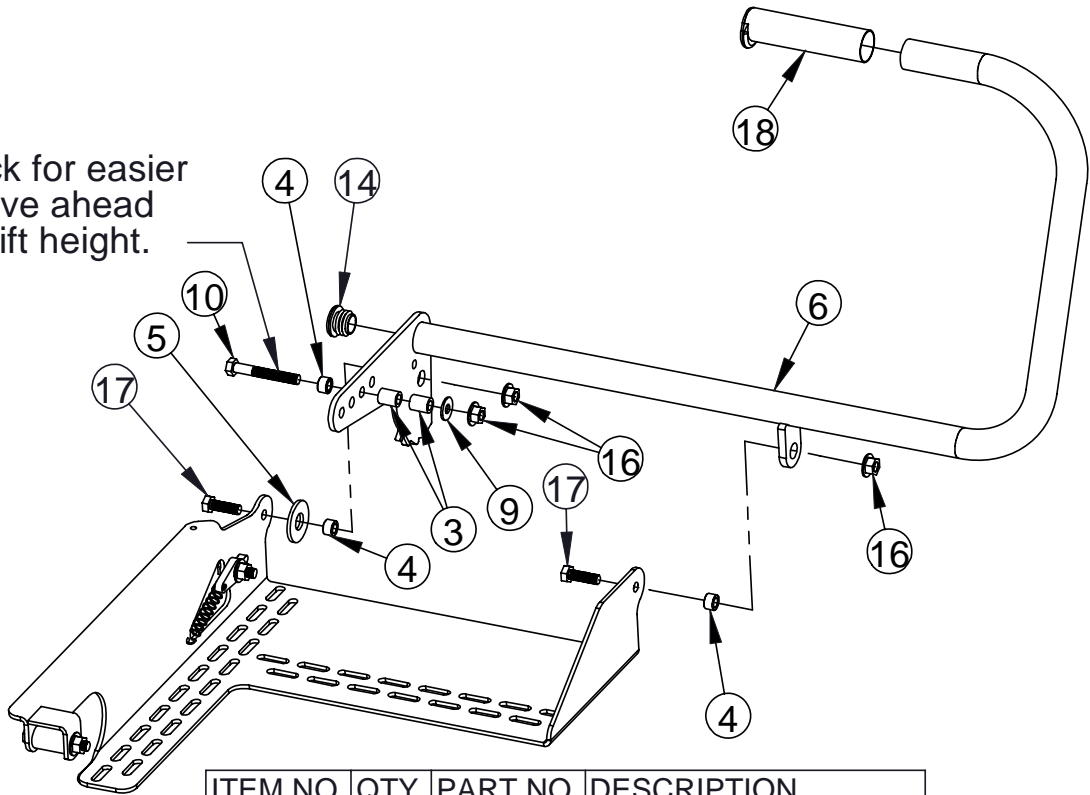
1. Assemble the base plate (Item 1) as shown below:



ITEM NO.	QTY.	PART NO.	DESCRIPTION
1	1	CYC2053	Base Plate
2	1	CYC2057	Pawl
3	2	PUR1361	Bushing
4	1	PUR1360	Sleeve Bushing
7	1	CYC2058	Roller
8	1	CYC2059	Guide
11	1	PUR1160	Bolt 5/16" x 2"
16	2	PUR1274	Flange Nut 5/16" Nylock
17	1	PUR1155	Bolt 5/16" x 1"
24	1	PUR1410	Spring

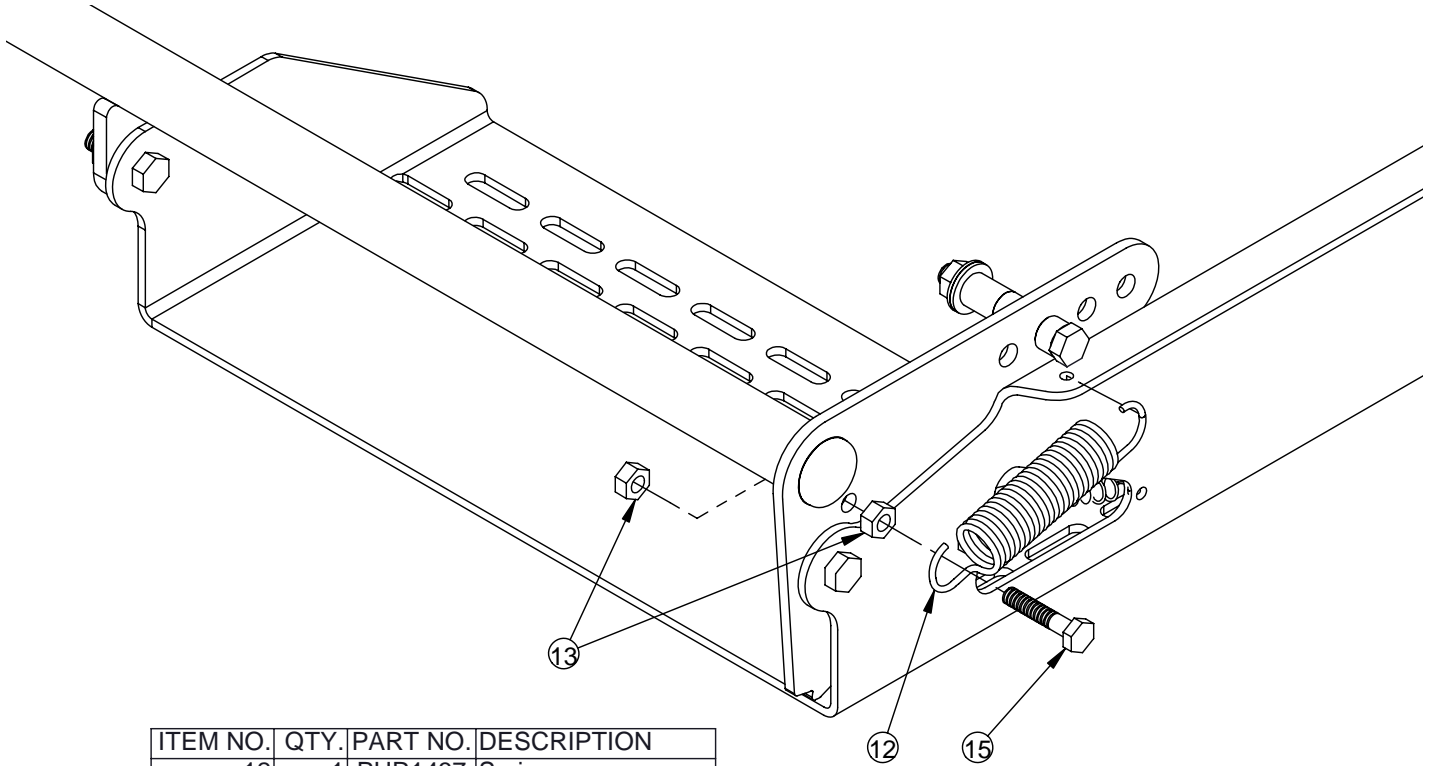
2. Assemble the handle weldment (Item 6) onto the base assembly as shown below:

Move back for easier lifting, move ahead for more lift height.

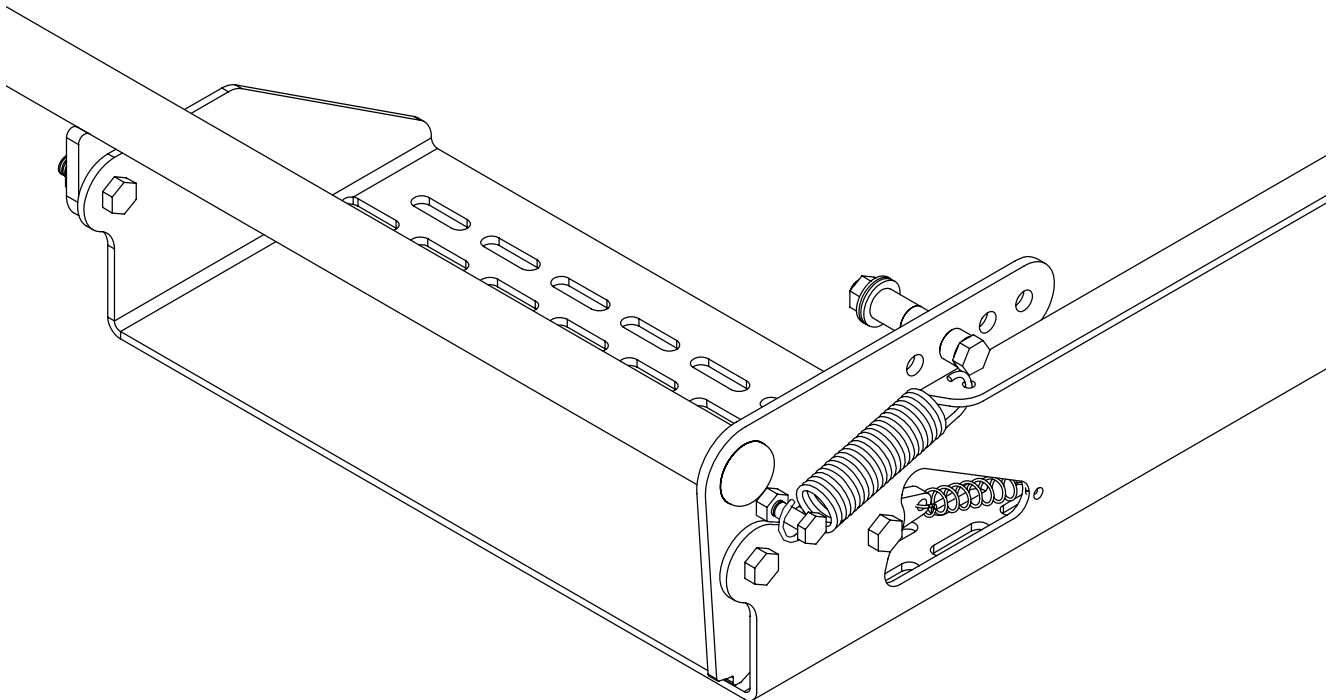


ITEM NO.	QTY.	PART NO.	DESCRIPTION
3	2	PUR1361	Bushing
4	3	PUR1360	Sleeve Bushing
5	1	PUR1235	Flatwasher 1/2" SAE
6	1	CYC2054	Handle Weldment
9	1	PUR1237	Flatwasher 1/4"
10	1	PUR1162	Bolt 5/16" x 2-1/4"
14	1	PUR0353	Plug 1" Round
16	3	PUR1274	Flange Nut 5/16" Nylock
17	2	PUR1155	Bolt 5/16" x 1"
18	1	PUR1477	Handle Grip

3. Install the return spring (Item 12) as shown below:



ITEM NO.	QTY.	PART NO.	DESCRIPTION
12	1	PUR1437	Spring
13	2	PUR1265	Locknut 1/4" Nylock
15	1	PUR1121	Bolt 1/4" x 1-1/4"

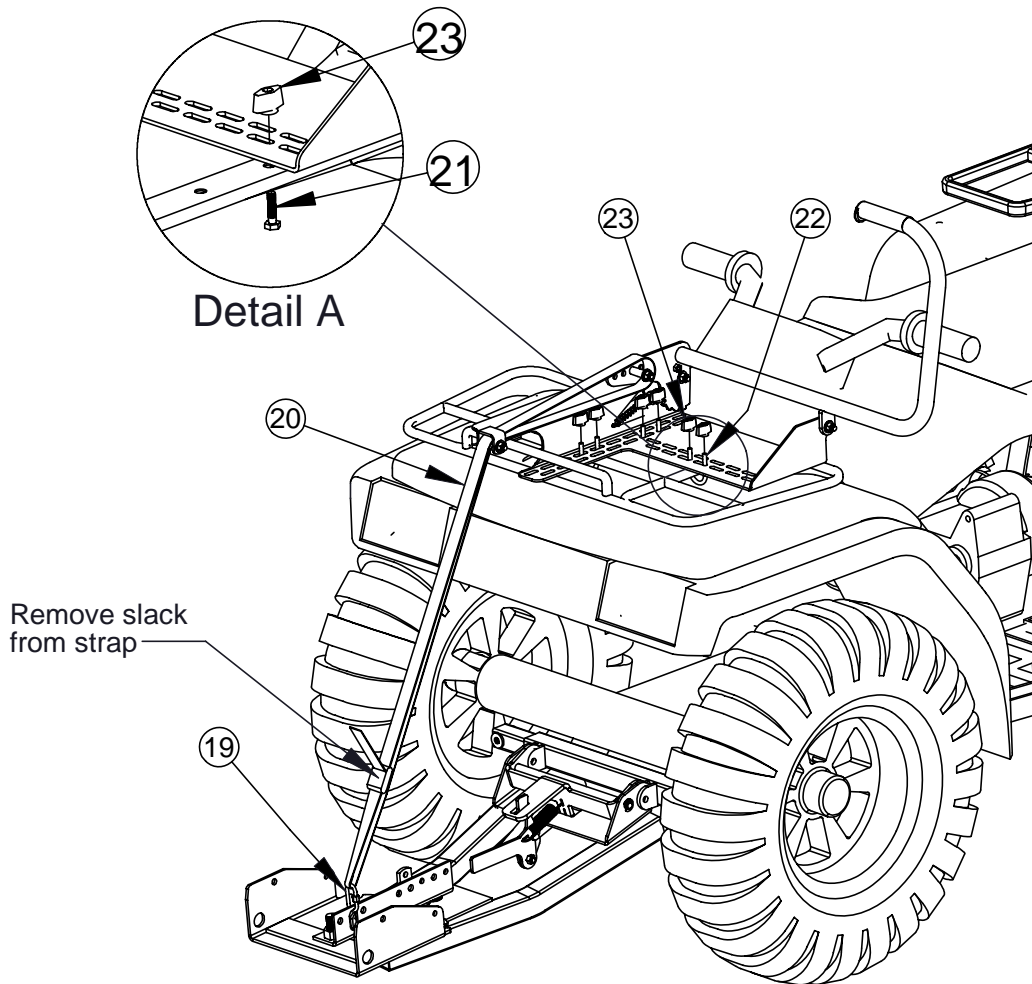


Installation

1. Install the QuickLift onto the front rack of the ATV using U-bolts and knobs (Items 22 and 23) to fasten the lift to the rack as shown below. The QuickLift should be approximately centered on the ATV rack, but may need to be offset in order for the lift handle to clear the handlebars. U-bolt placement will vary among ATVs.

Note: Some ATVs use steel channels as part of their front racks and it may be necessary to use a 1" bolt (Item 21) instead of the U-bolt, see detail A.

1.

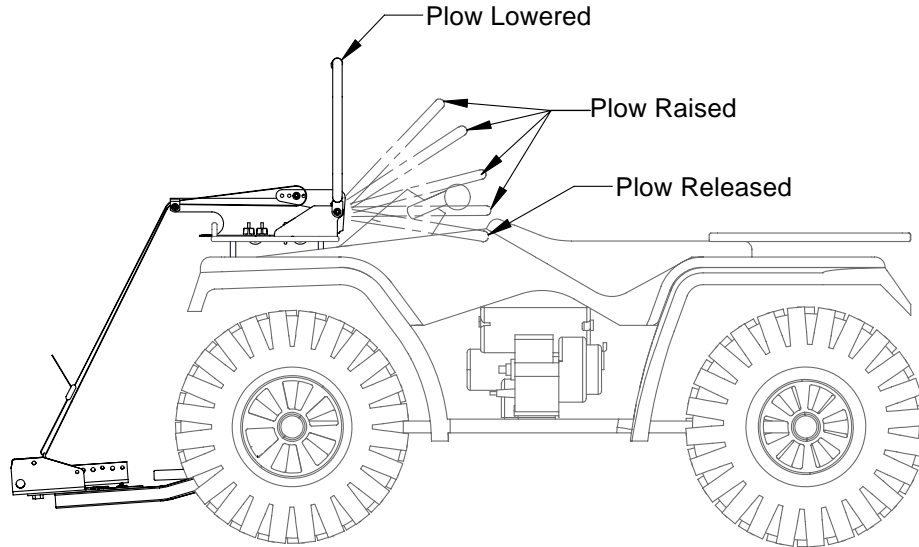


ITEM NO.	QTY.	PART NO.	DESCRIPTION
19	1	PUR1497	3/16" Quick Link
20	1	PUR2348	Strap 10' Cam Lock
21	1	PUR1118	Bolt 1/4" x 1"
22	3	PUR2352	U-Bolt 1/4" x 1-1/8" x 2"
23	6	PUR0358	Knob 1/4"-20

2. Move the lift handle through the entire range of motion and check for clearance. If interference is found, adjust lift location accordingly.

Operation

To raise the plow, pull back on the lift handle, stopping at one of the four raised positions. To lower the plow, pull the lift handle to the released position, then let the handle return to the lowered position.



1701 38TH AVE W
PO BOX 257
SPENCER, IA 51301
PHONE: 712-262-4191
FAX: 712-262-0248
SERVICE: 800-841-2222
E-MAIL: ccac@cyclecountry.com
www.cyclecountry.com

ONE YEAR LIMITED WARRANTY

For the period of one year from the purchase date Cycle Country Accessories Corporation will replace for the original purchaser, free of charge, any part or parts, when found, upon examination by Cycle Country Accessories Corporation, to be defective in material, workmanship, or both.

All transportation cost incurred by the purchaser in submitting the material to Cycle Country Accessories Corporation for replacement under this warranty must be borne by the purchaser. If Cycle Country Accessories Corporation determines that the product must be returned to the factory for credit please call 1-800-841-2222 for an RMA number and shipping instructions.

The warranty does not apply to parts that have been damaged by accident, alteration, abuse, improper lubrication, normal wear, or other causes beyond Cycle Country Accessories Corporation's control. Products such as engines, electric motors, and actuators may carry an original manufacturer's warranty. Please call Cycle Country Accessories Corporation for information.