



1701 38TH AVE W
PO BOX 257
SPENCER, IA 51301
PHONE: 712-262-4191
FAX: 712-262-0248
SERVICE: 800-841-2222
E-MAIL: ccac@cyclecountry.com
www.cyclecountry.com

Work
POWER
2000

ATV BLADE HARDWARE

For HONDA ATVs

Owner's Manual

MODEL NUMBER: 15-1591

**CUSTOMER MUST RECEIVE A COPY OF THIS
OWNERS MANUAL AT TIME OF SALE**

© 2004 Cycle Country Accessories Corp.

Rev. 3
1/5/10

MAN0051

THANK YOU FOR YOUR PURCHASE OF OUR

**Work
POWER
2000**

SNOW PLOW

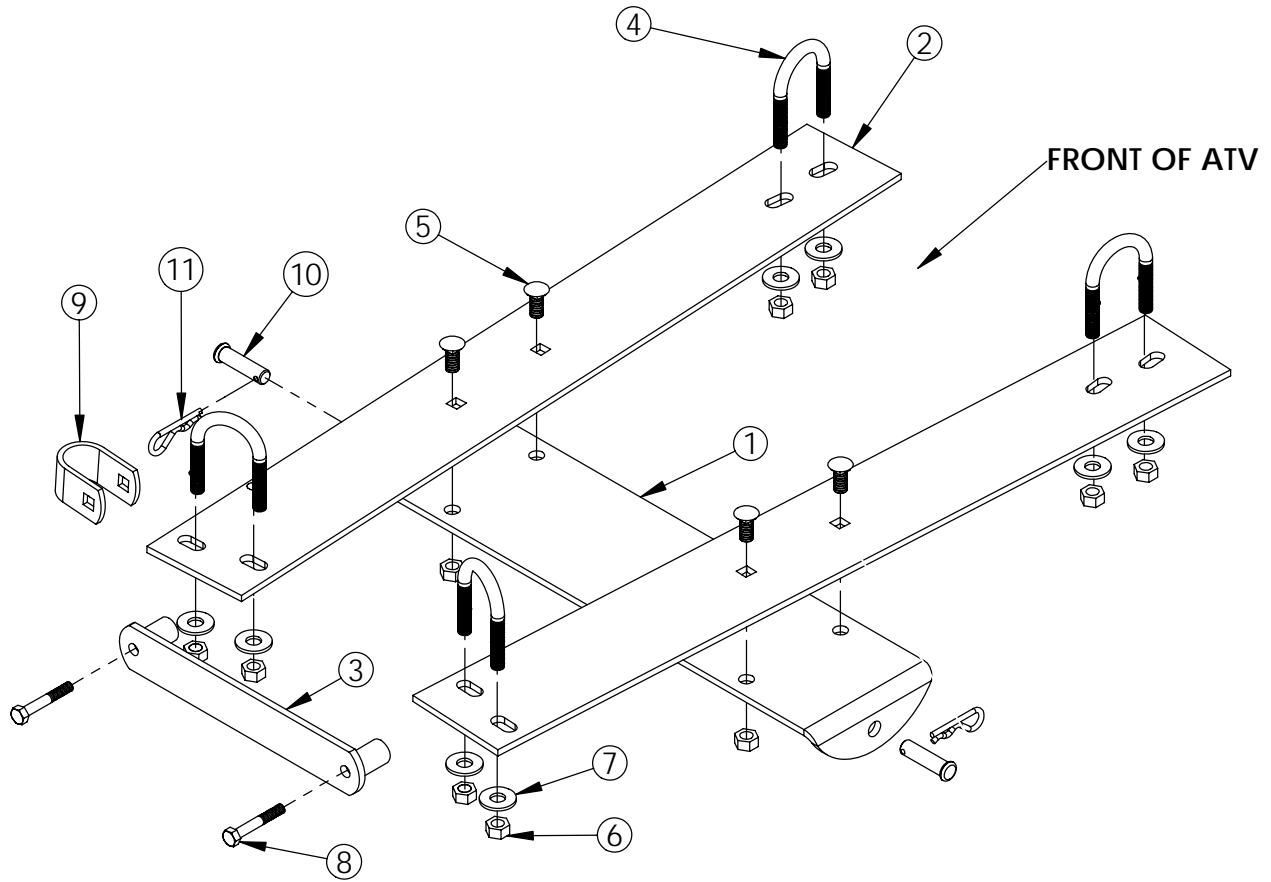
ENCLOSED IN THIS KIT IS THE

ATTACHING HARDWARE KIT

TO HAVE A COMPLETE PLOW ASSEMBLY, YOU MUST HAVE AT LEAST FOUR BOXES:

- 1. MODEL SPECIFIC ATTACHING HARDWARE KIT: TO ATTACH THE UNIVERSAL PUSH TUBE TO ATV.**
- 2. UNIVERSAL PUSH TUBE**
- 3. BLADE OF YOUR CHOICE (COLOR, STYLE, & SIZE)**
- 4. YOUR CHOICE OF BLADE LIFT METHODS,**
 - a. UNIVERSAL MANUAL LIFT: #15-0015**
 - b. ELECTRIC BLADE LIFT**
 - c. USE YOUR WINCH TO RAISE AND LOWER YOUR BLADE.**

FOR SERVICE OR TECHNICAL SUPPORT CALL 1-800-841-2222



Model Number 15-1591 Parts List

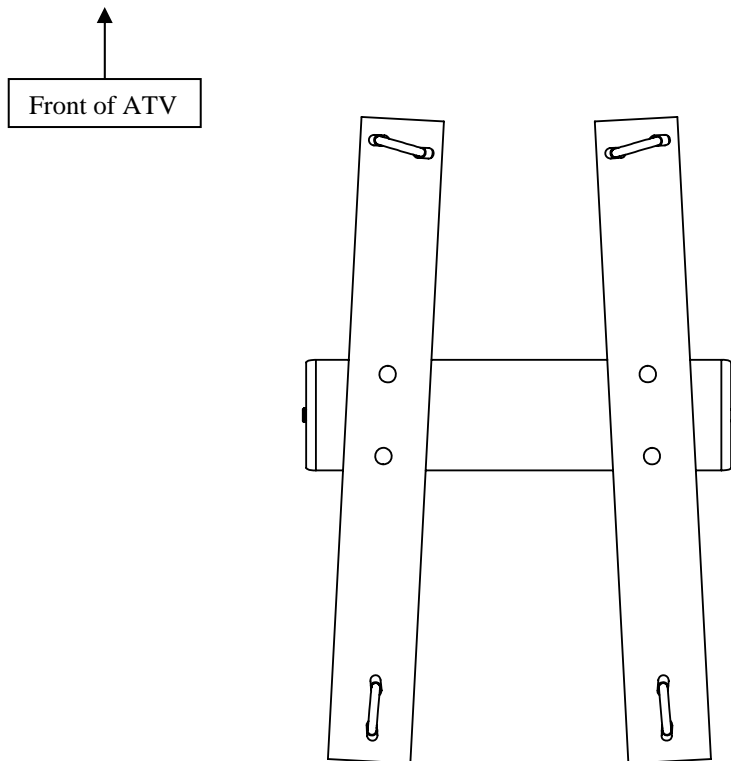
ITEM NO.	QTY.	PART NO.	DESCRIPTION
1	1	CYC4701	Blade Mount
2	2	CYC4703	Attaching Bracket
3	1	CYC5047	Strap Protecting Bracket
4	4	PUR1427	5/16" x 1-3/8" x 2" U-Bolt
5	4	PUR1202	Carriage Bolt 5/16" x 3/4"
6	12	PUR1275	Locknut 5/16" Nylock Clea
7	8	PUR1244	Flatwasher 5/16"
8	2	PUR1308	M6 x 40 Metric Bolt
9	1	CYC0835	1" U-Clamp Black
10	2	PUR1209	Clevis Pin .375 x 1.375 Yello
11	2	PUR1249	#3 Hair Pin

WARNING

- Due to reduced ground clearance remove plow Mount Brackets before trail riding.
- Do not exceed 5 MPH with the blade or its brackets installed
- ◆ **Periodically check for wear and tightness of all bolts, nuts and fasteners. Replace or tighten as necessary**

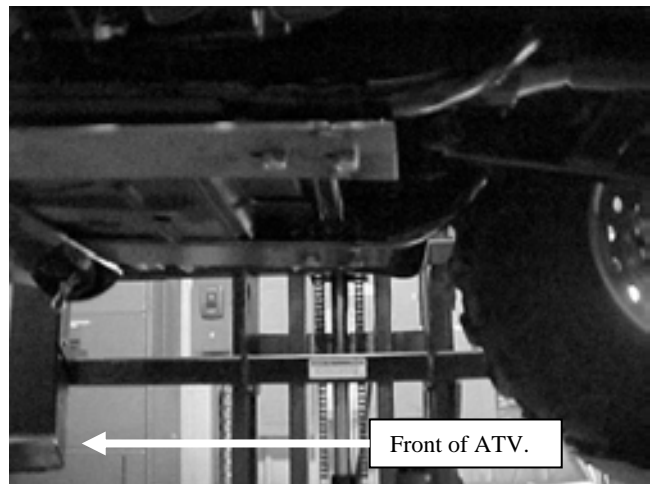
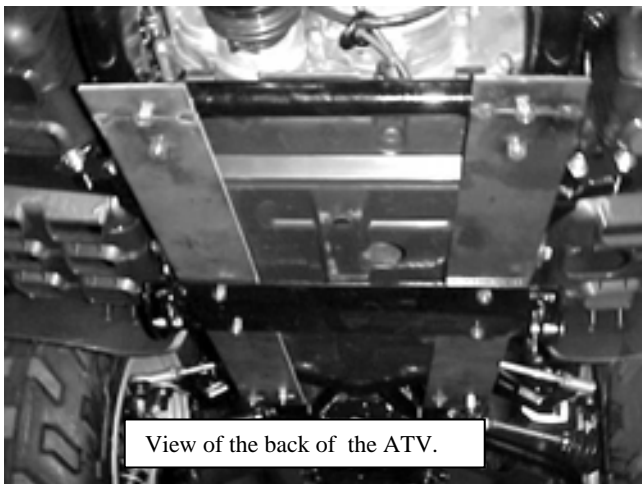
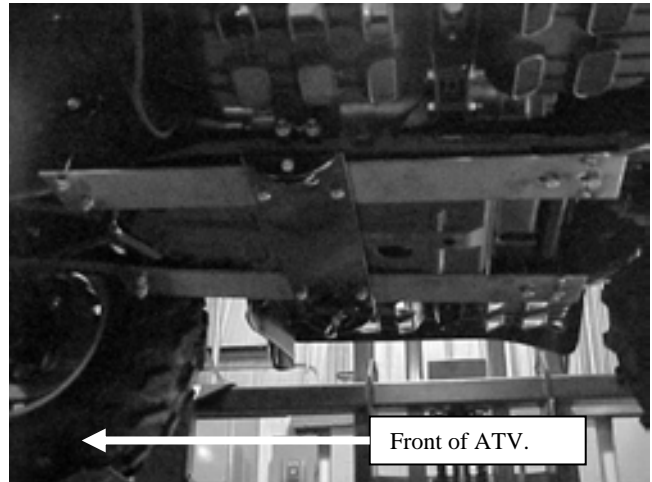
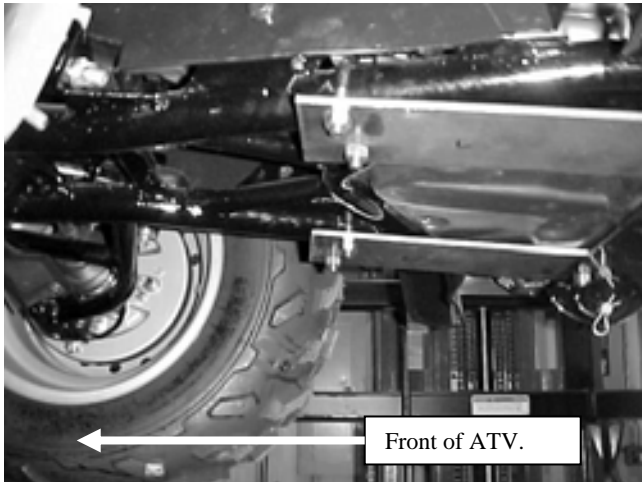
All directions referring to the right and the left are when the operator is sitting on the ATV.

**Model Number 15-1591
Attaching Bracket Installation Instructions**



Pre-assemble blade mount and attaching brackets using the four 5/16" x 3/4" carriage bolts and nylock nuts.

DO NOT FULLY TIGHTEN CARRIAGE BOLTS AT THIS TIME.



1. Insert four of the 5/16" x 1-3/8" x 2" U-bolts around the ATV frame. (Shown in the pictures above).
2. Place the rear holes of the support brackets over the u-bolts just installed and loosely secure with the nylock nuts supplied.
3. Raise the front of the attaching bracket to the ATV frame and secure with the four 5/16" x 1-3/8" x 2" U-bolts around the ATV's mainframe tubes (shown in the picture).

4. If you are using the Cycle Country manual lift kit, the 1" U-clamp needs to be installed over the pulley to protect it. The U-clamp fits **OUTSIDE** of the cable guide and **OUTSIDE** of the blade position lever bracket. (See Picture.)



5. Tighten all bolts and U-bolts fully.



Included is a Strap Protecting Bracket pictured above.

The bracket is designed to protect the front plastic grill from wear by the lift strap.

To Install

1. Remove existing bolts from front grill.
2. Install Bracket with the two 6-40 mm bolts included in the kit.



1701 38TH AVE W
PO BOX 257
SPENCER, IA 51301
PHONE: 712-262-4191
FAX: 712-262-0248
SERVICE: 800-841-2222
E-MAIL: ccac@cyclecountry.com
www.cyclecountry.com

ONE YEAR LIMITED WARRANTY

For the period of one year from the purchase date Cycle Country Accessories Corporation will replace for the original purchaser, free of charge, any part or parts, when found, upon examination by Cycle Country Accessories Corporation, to be defective in material, workmanship, or both.

All transportation cost incurred by the purchaser in submitting the material to Cycle Country Accessories Corporation for replacement under this warranty must be borne by the purchaser. If Cycle Country Accessories Corporation determines that the product must be returned to the factory for credit please call 1-800-841-2222 for an RMA number and shipping instructions.

The warranty does not apply to parts that have been damaged by accident, alteration, abuse, improper lubrication, normal wear, or other causes beyond Cycle Country Accessories Corporation's control. Products such as engines, electric motors, and actuators may carry an original manufacturer's warranty. Please call Cycle Country Accessories Corporation for information.