



HIGH RISE BLADE (60") KIT

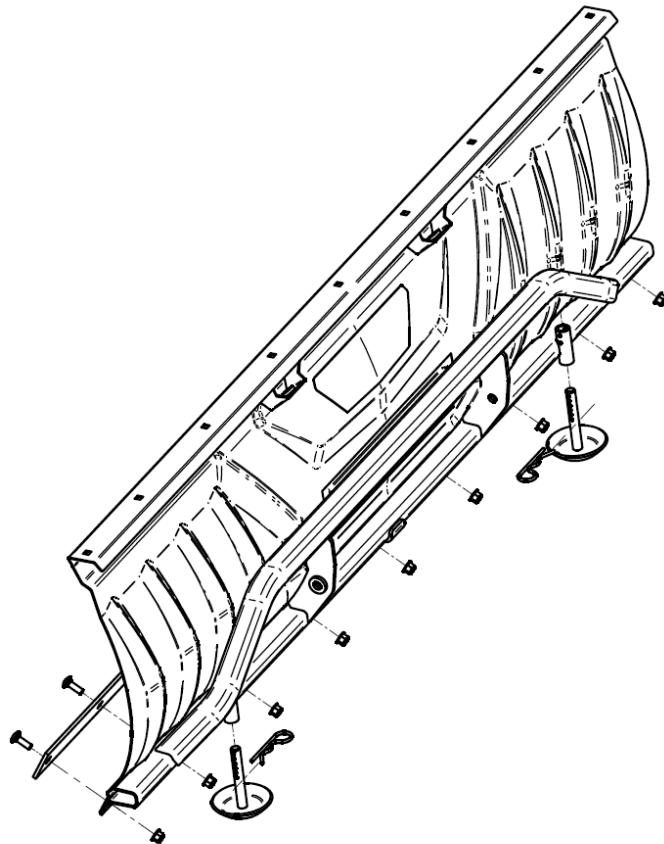
P/N 31-0060

ASSEMBLY / SPARE PARTS MANUAL

Application

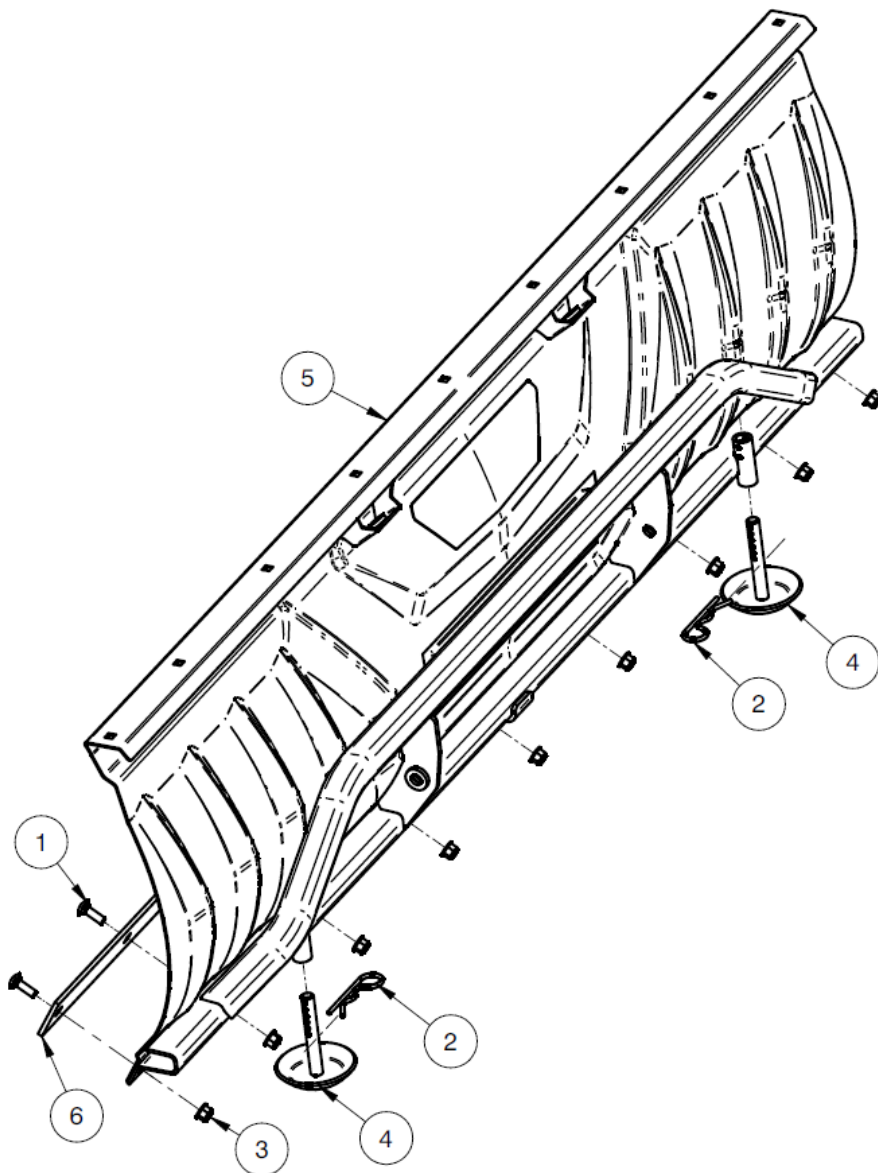
PLOW PUSH FRAME NO. 33-0000

Before you begin, please read these instructions and check to be sure all parts and tools are accounted for. The following instructions contain details required to install and service the contents of this kit.



Kit Contents:

Item	Qty	Part Description	Part Number
1	9	Carriage Bolt, Zinc Plated, M8-1.25 X 25mm LG	-
2	2	Hairpin Cotter Pin, Zinc Plated, 82mm LG, 4mm wire dia.	31-1156
3	3	Hex Flange Nylon Nut, Zinc Plated, M8-1.25	-
4	1	Plow Shoe Kit	31-1155
5	1	60" Welded Steel Blade	-
6	1	Wear Bar Kit, 60"	31-1160
7	1	Top Decal (not shown)	-
8	1	Instruction Guide (not shown)	-



BEFORE YOU BEGIN:

- Your Kolpin accessory is exclusively designed for your vehicle.
- Please read and understand all instructions.
- Verify all parts and tools are accounted for.
- To ensure a satisfactory installation, follow all steps correctly and in the sequence described.
- Keep these instructions for future reference or for informational requests.
- To facilitate installation, make sure that your vehicle is clean and free of debris.
- All directions referring to right and left are when the rider is sitting on the machine

TOOLS REQUIRED:

- 13mm Wrench
- 13mm Socket

APPROXIMATE ASSEMBLY TIME: 15 minutes

Note: The High Rise Blade kit comes fully assembled from factory.

SPARE KIT INFORMATION:

SPARE KITS		Wear bar kit	Skid shoe kit	R-pin kit	Wear bar bolt kit
Item	Description				
1	M8-1.25 x 25 mm carriage bolt	9x			11x
2	R-pin		2x	2x	
3	M8-1.25 Nylon nut	9x			11x
4	Skid shoe		2x		
5	Blade (60")				
6	Wear bar	1x			

OPERATING INSTRUCTIONS

Congratulations! You've just purchased one of the industry's top plow system component. The High Rise Plow Blade works great for all types of plowing. With proper care and maintenance, your plow blade will last for many years! The 60" (152 cm) Blade Assembly allows for quality snow moving capacity and snow roll-over characteristics. Additionally, this blade will handle light to medium-duty summer landscape work.

NOTICE
Plow operation requires additional components for operation: High Rise Plow Push Frame, Winch Kit, Mid-Body ATV Plow Mount *
<i>*These components may be specific to your vehicle.</i>



Please read and understand all assembly instructions, notices and warnings before assembling and operating your plow system.

Follow these guidelines to ensure satisfactory operation:

- Read this manual and your ATV operators manual before use.
- Periodically check for wear and tightness of all fasteners. Replace or re-torque fasteners as necessary.
- Before first use, set plow in the furthest right or left angled position to check for clearance between the plow and front tires.
- Operate with extreme caution on slopes and rough terrain. Be familiar with the area before you plow.
- Be aware of immovable objects that could be hidden in the area you are plowing.
- To avoid damage when pushing snow into a pile, reverse direction before raising the plow blade.
- Do not ram the plow blade into piles of snow.
- For best results, set the suspension preload of your ATV to the stiffest setting.
- To reduce steering effort and increase mobility, set the air pressure of your tires to the maximum pressure specification.
- The plow skids are adjustable. General skid setting is even with the plow wear bar bottom edge, higher settings reduce the chance of rocks and gravel from being collected.
- To increase traction during plow operation, operators can try: Securing weight to the ATV for additional tire downforce, reducing tire air pressure, or installing tire chains.

SAFETY INFORMATION

Our plow systems were designed with your safety in mind. Please read and understand all Cautions, Notices and Warnings in this manual before you begin. In order to protect you and your ATV, certain parts of the plow system and/or hardware are designed to fail when the equipment is over-stressed.

 DANGER 
TO AVOID SERIOUS INJURY OR DEATH:
1. DO NOT EXCEED 5 MPH (8 KMH) WITH BLADE INSTALLED.
2. OPERATE WITH EXTREME CAUTION ON SLOPES, STEEP GRADES, AND ROUGH TERRAIN.
3. ALLOW NO RIDERS ON BLADE OR ATV WHILE MOVING OR STATIONARY.
4. KEEP BYSTANDERS AWAY FROM THE BLADE OR ATV WHILE MOVING OR STATIONARY.
5. WHEN PUSHING HEAVY MATERIAL, DIRECTION CONTROL MAY BECOME DIFFICULT.
6. BEFORE ADJUSTING BLADE: STOP ATV ENGINE; SET AND LOCK BRAKES; RAISE AND LOCK BLADE IN UP POSITION. DO NOT ATTEMPT TO RAISE BLADE BY HAND; USE THE LIFT MECHANISM ONLY.
7. LOWER BLADE TO DOWN POSITION WHEN BLADE AND ATV ARE NOT IN USE.
8. READ BLADE'S INSTRUCTION SHEETS AND ATV OWNER MANUAL.



One Year Limited Warranty

For the period of one (1) year from the purchase date, Kolpin will replace for the original purchaser, free of charge, any part or parts found upon examination by Kolpin to be defective in material, workmanship, or both.

All transportation costs incurred submitting product to Kolpin for warranty consideration must be borne by the purchaser. If Kolpin determines that the product must be returned to the factory for credit, please call 1-877-956-5746 for a Return Merchandise Authorization (RMA) number and shipping instructions.

This warranty does not apply to parts that have been damaged by accident, alteration, abuse, improper maintenance, normal wear, or other causes beyond the manufacturer's control. In order to protect you and your ATV, certain parts of the plow system and/or hardware are designed to fail when the equipment is over-stressed. Parts that are lost due to loosening and improper maintenance are not covered under warranty.

Peripheral products such as engines, electric motors, and actuators may carry an original manufacturer's warranty. Most hardware is general in nature and is easily obtained locally. Be sure to replace with minimum grade 5 specification.

Kolpin Outdoors, Inc.
Telephone: (763)-478-5800
Toll Free: (877)-956-5746
Fax Number: (800)-245-7569
www.kolpinpowersports.com
customerservice@kolpin.com